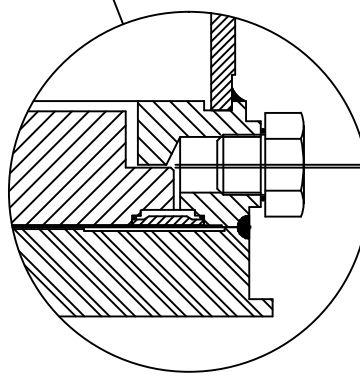
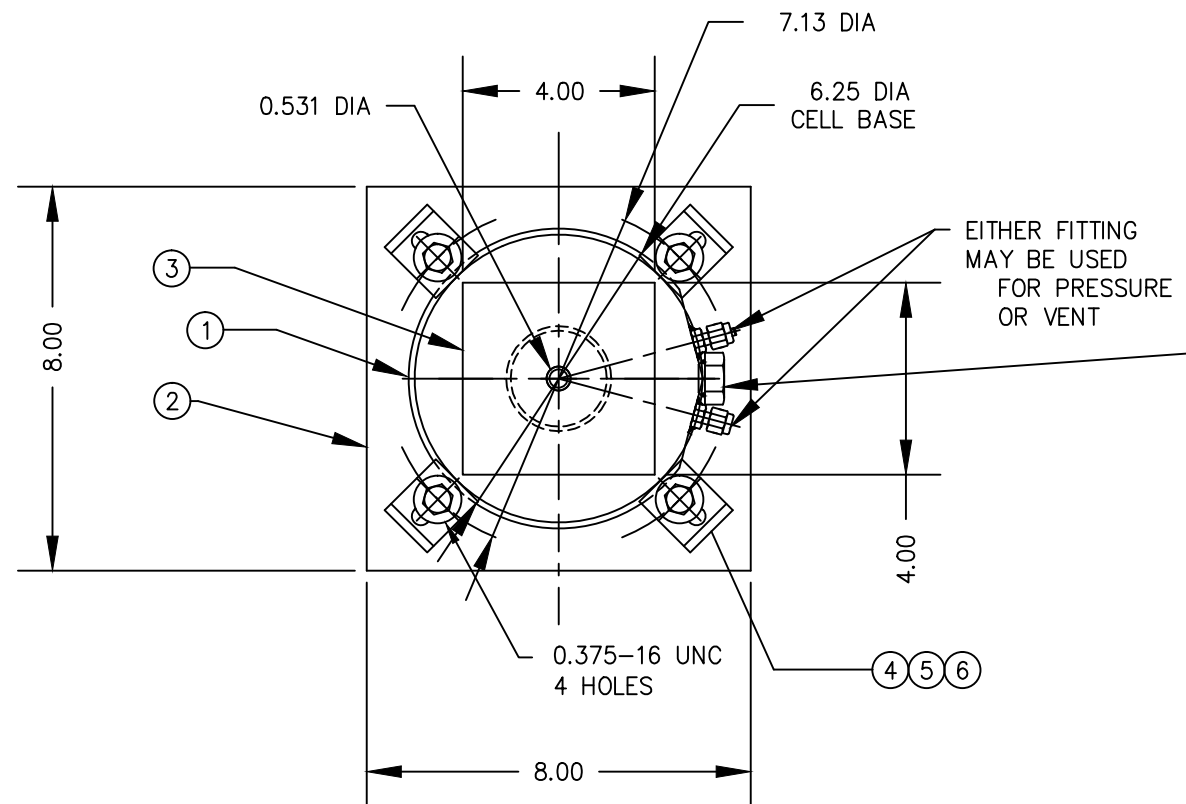


ITEM NO.	DESCRIPTION	QTY	MATERIAL	UNIT WT.	PART NO.	SIZE	WT.
1	LOAD CELL	1	SS 304		B-36508	14.47 SQ.IN.	
2	BASE PLATE	1	A/R		A-34651-2	0.50 X 8.00 X 8.00	
3	LOAD PLATE	1	A/R		A-72316	0.75 X 4.00 X 4.00	
4	HEX HD SCREW	4	SS 304			0.375-16 UNC X 1.00	
5	WASHER MS15795	4	SS 304		98019A199	McMASTER-CARR	0.406 ID X 0.812 OD
6	CLAMP	4	SS 304		A-34653-1	0.25 X 1.00 X 1.50	
7							
8	ANCHOR BOLT 0.500 X 5.50 4 (2 MIN)		SS 304		KB11304SS112-512	HILTI OR EQUAL	

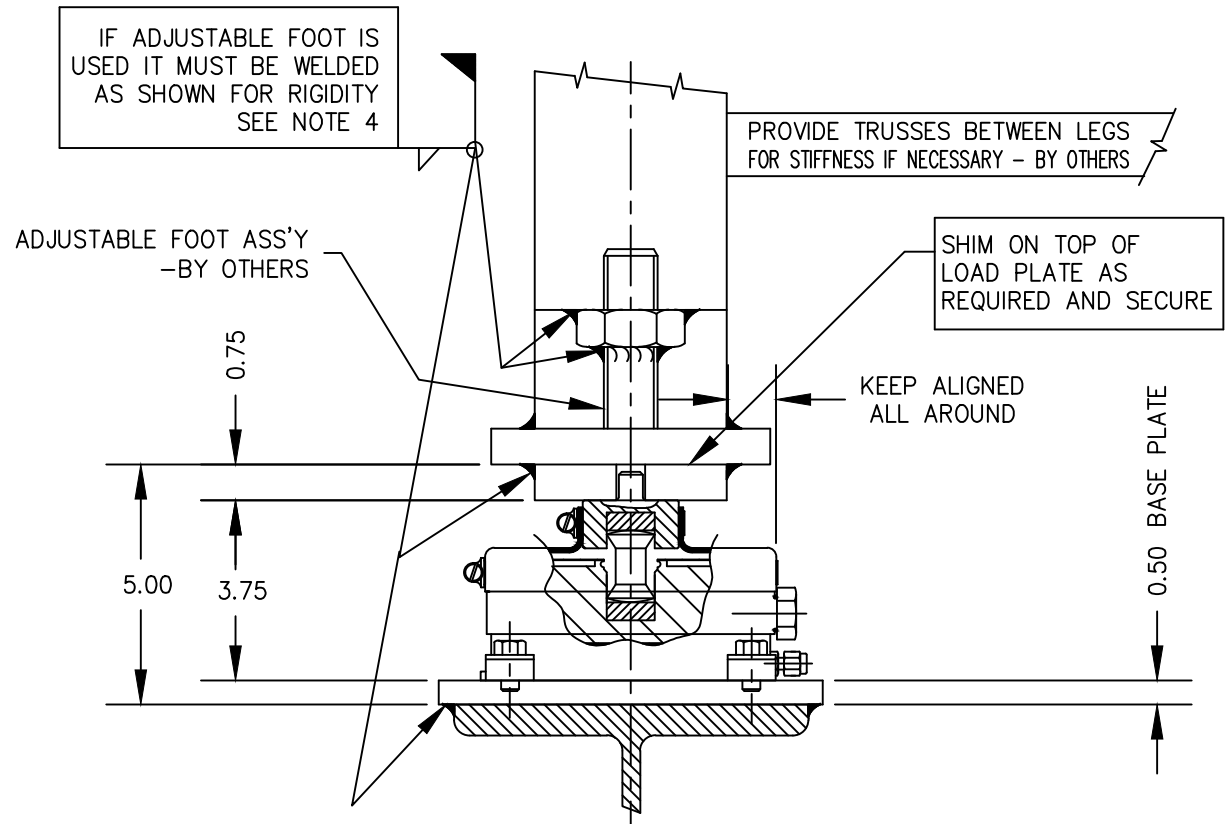
● SUPPLIED OPTIONALLY



1. REMOVE NYLON SCREW.
 2. FILL LOAD CELL WITH FLUID TO A GAGING OF:
 0.025 - 0.030
 (GAP CLOSSES WHEN FILLING WITH FLUID)

NOTES:

- CLAMP LOAD CELL TO BASE PLATE. PLACE LOAD PLATE AND SHIMS ON LOAD CELL. LOWER STRUCTURE ONTO LOAD PLATE AND WELD LOAD PLATE TO STRUCTURE. IF REQUIRED, LOOSEN CLAMP BOLTS AND REALIGN CELL. RETIGHTEN CLAMP BOLTS.
 - TOP OF ALL BASE PLATES MUST BE FLAT OVER ENTIRE CELL AREA, LEVEL, AND ON A COMMON PLANE TO MINIMIZE SHIMMING.
 - INSTALL LOAD CELL WITH FITTINGS ACCESSIBLE FOR PURGING AND MAINTENANCE.
 - LEG MUST BE WELDED OR BOLTED RIGIDLY TO LOAD PLATE.
- DO NOT USE SWIVEL LEVELING FEET
- ITEMS SUPPLIED BY EWSCO ARE LISTED IN THE B.O.M.



C		NOTE 5 & "BY OTHERS" NOTES ADDED	3/18/14	CEM	DEBURR ALL CORNERS AND EDGES	EMERY WINSLOW SCALE COMPANY SEYMOUR, CT U.S.A TERRE HAUTE, IN.						
B		REINSTATED DRAWING	5/11/10	BMW								
A		OBSOLETE DRAWING	7/3/08	BMW	UNLESS OTHERWISE SPECIFIED DIMENSIONS ARE IN INCHES MACHINING .XX = ± .01 .XXX = ± .005 FABRICATION ± .13	INSTALLATION OF SELF CHECKING HYDROSTATIC COMPRESSION LOAD CELL ON STEEL MODEL 136-10CH 10,000 lb CAPACITY						
LTR		REVISION	DATE	BY								
THIS DRAWING IS THE PROPERTY OF EMERY WINSLOW SCALE COMPANY SEYMOUR, CONNECTICUT. THE INFORMATION CONTAINED HEREIN IS CONFIDENTIAL AND IS NOT TO BE USED OR DISSEMINATED TO OTHERS WITHOUT THE EXPRESS WRITTEN CONSENT OF EMERY WINSLOW SCALE COMPANY.					DRAWN	BMW	DATE	4/14/08	SCALE 1:4	FIRST USED ON	DRAWING NO. B-72531	REV. C
					CHECKED	DATE						
					ACAD FILENAME:	T02673						
					LAYERS USED:	ALL						