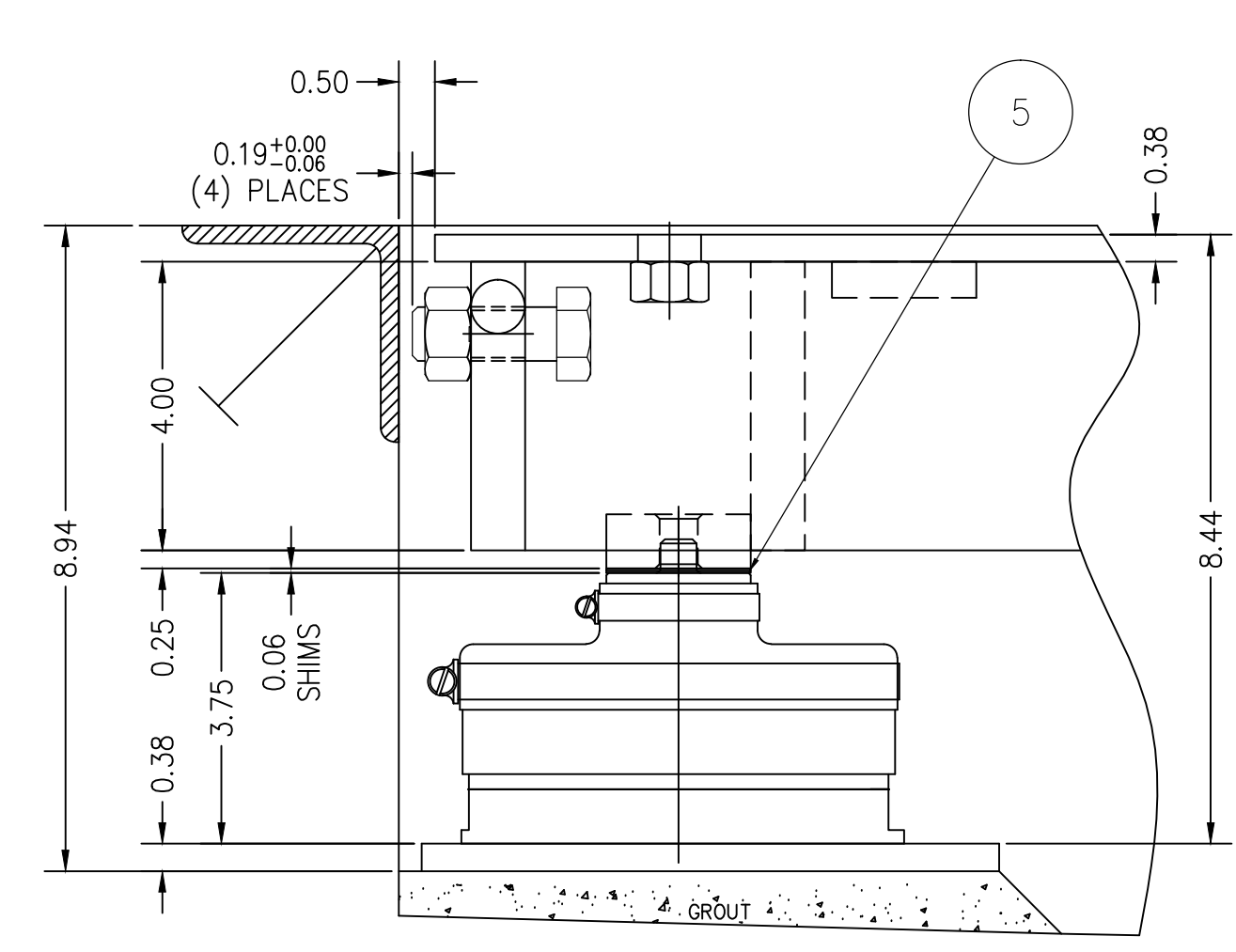
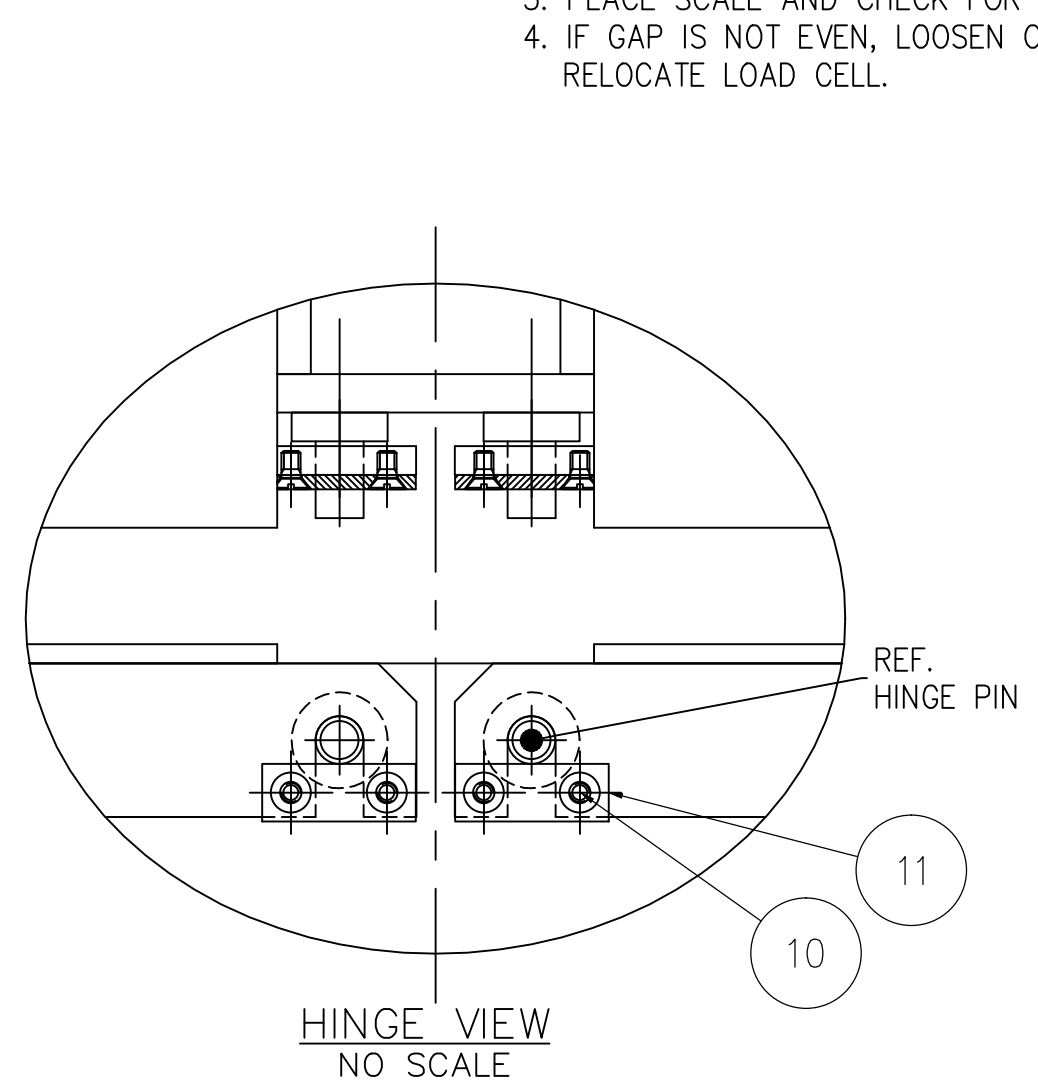
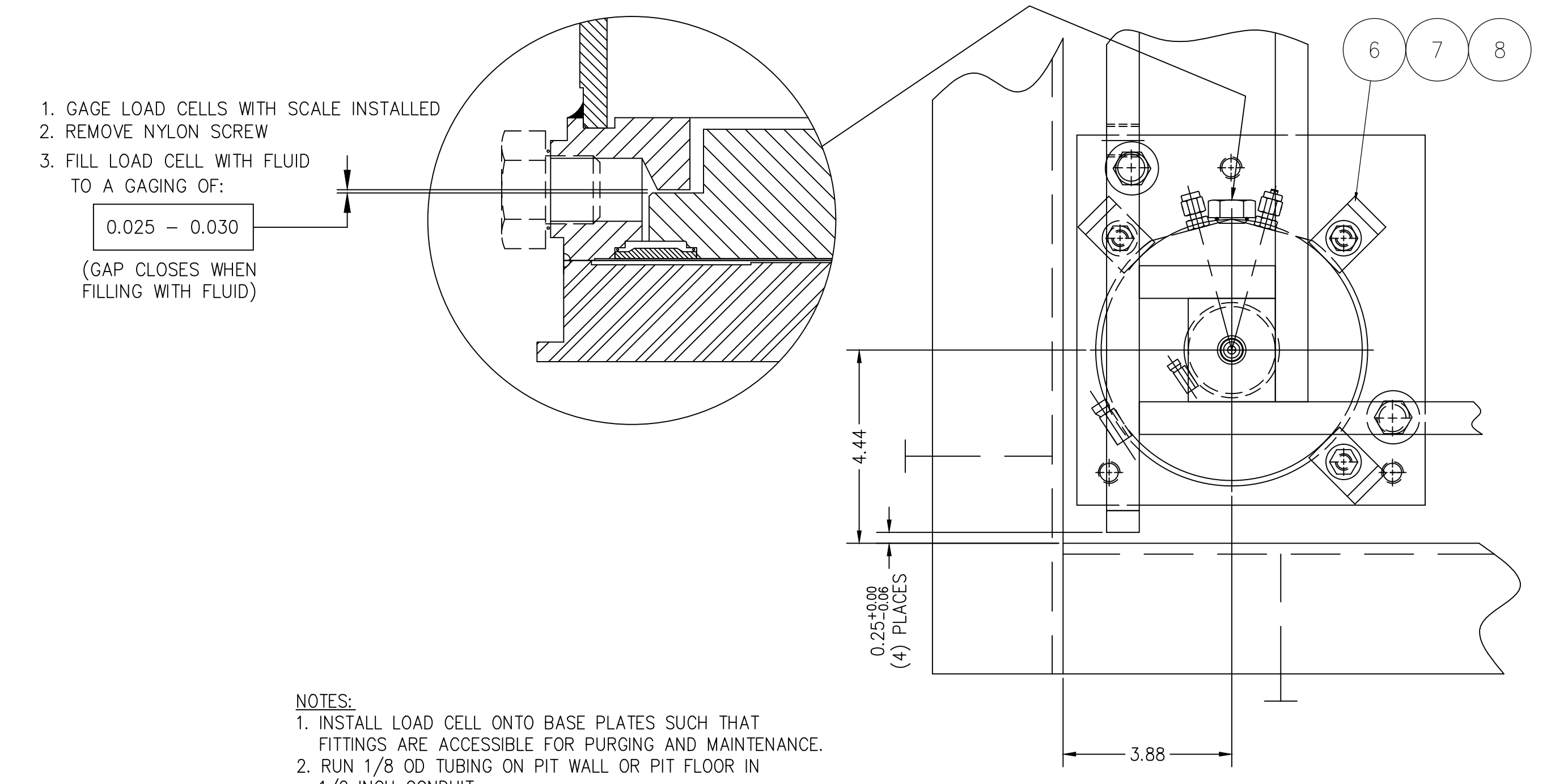


ITEM	QTY	NAME	DRAWING NO.	GRADE	Parts List		UNIT WT.	SIZE	VENDOR	WEIGHT
					SHAPE					
1	1	GS LIFT DECK	D-75660	SS 304			394.10			394.1
2	1	DECK FRAME	D-75659	SS 304			635.80			635.8
3	1	SPACER BAR	B-75661				19.00			19.0
4	4	LOAD CELL	B-36508	SS 304			18.50	136-10CH		40.9
5	8	SHIM	A-75496	SS 304						
6	12	CLAMP	A-34653-1	SS 304						
7	12	HHCS		SS 18-8				0.375-16UNC X 1.00		
8	12	WASHER	A-73699-3	SS 304						
9	2	EYE BOLT	A-73698-5	CS				FOR DECK LIFTING		
10	8	FHSCS		SS 304				0.250-20UNC X 0.50		
11	4	LASH	A-35557	SS 304						
12	8	ROD CLEVIS	A-73497-2	SS 304				M10X1.5		
13	8	CLEVIS PIN	A-73067-3	SS 303						
14	4	GAS SPRING	A-73066-6	SS 316				FOR 0.38 DECK		
15	0	*PIT ARRANGEMENT	D-75658					0.38 DECK		

PRELIMINARY NOT FOR CONSTRUCTION. FOR ILLUSTRATION ONLY.



ALL SHARP CORNERS AND EDGES TO BE BROKEN UNLESS OTHERWISE SPECIFIED DIMENSIONS ARE IN INCHES MACHINING FABRICATION .XX ± .01 ± .13 .XXX ± .005				EMERY WINSLOW SCALE COMPANY SEYMOUR, CT U.S.A TERRE HAUTE, IN.	
THIS DRAWING IS THE PROPERTY OF EMERY WINSLOW SCALE COMPANY SEMOUR, CONNECTICUT. THE INFORMATION CONTAINED HEREIN IS CONFIDENTIAL AND IS NOT TO BE USED OR DISSEMINATED TO OTHERS WITHOUT THE EXPRESS WRITTEN CONSENT OF EMERY WINSLOW SCALE COMPANY.				SCALE ASSEMBLY 710S-55-20K-GS-NT (10K AXLE CAPACITY)	
LTR REVISION DATE BY	DRAWN CEM DATE 04/16/2021	CHECKED DATE ACAD FILENAME: T05797 LAYERS USED: ALL	SCALE 1:5	FIRST USED ON DRAWING NO. D-75657	REV.

