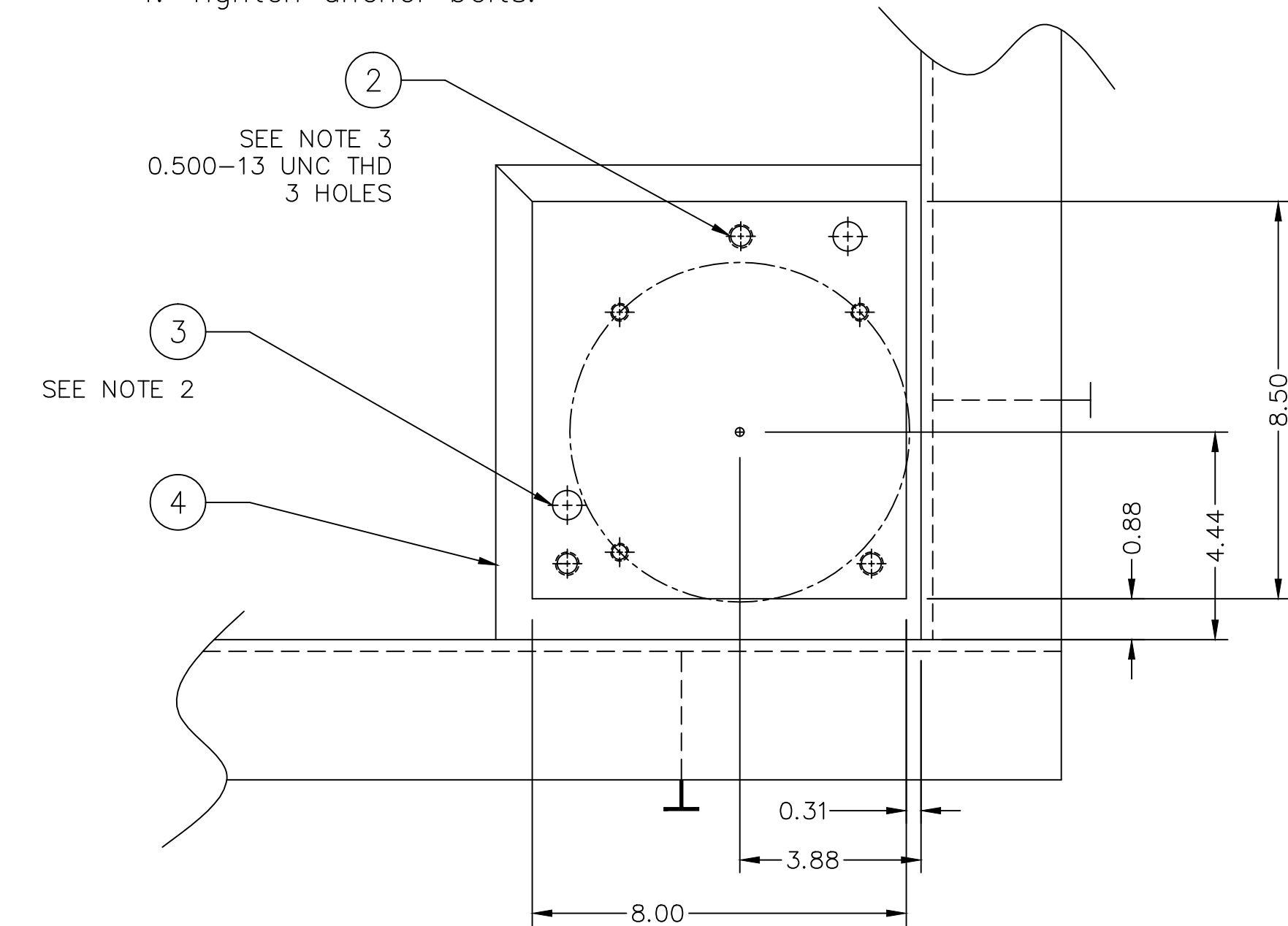


ITEM NO.	DESCRIPTION	QTY	MATERIAL	UNIT WT.	PART NO.	SIZE	WT.
1	BASE PLATE	4	SS 304	10.2	A-72590	0.38 X 8.00 X 8.50	28.9
2	LEVELING SCREW	12	CS		5013HHCS0400FTCS	0.500-13 UNC X 4.00	
3	ANCHOR BOLT 0.50 X 5.50	8	SS 304		5013KB0550SS	HILTI OR EQUAL	
4	GROUT (NON-SHRINKING)	A/R			FIVE STAR PRODUCTS, INC., FAIRFIELD, CT	06430 OR EQUAL	
5	COPING	4	SS 304	18.6	B-75416-3	(3 X 3 X 0.25 X 64.00)	74.4

AVAILABLE AS AN OPTION = OPT

NOTES:

1. Layout base plates and transfer drill anchor bolt holes.
2. Install eight (8) anchor bolts, item 4, as per manufacturers specification.
3. Set base plate item 1 to proper height and level as specified, using greased leveling screws. Remove plate and apply a layer of grout in plate area slightly higher than required. Bolt base plate down to preset screws, squeezing out excess grout. Double check height and level. Remove leveling screws after approximately 2 to 3 hours.
4. Tighten anchor bolts.



PRELIMINARY NOT FOR CONSTRUCTION. FOR ILLUSTRATION ONLY.

ALL SHARP CORNERS AND EDGES TO BE BROKEN		EMERY WINSLOW SCALE COMPANY SEYMOUR, CT U.S.A TERRE HAUTE, IN.	
B	ALLOW FOR MINIMUM GROUT NOTE WAS 0.56 IN ERROR & NOW 0.63	03/21	CEM
A	ALLOW FOR MINIMUM GROUT NOTE ADDED TO SIDE VIEW	10/20	CEM
REV	DESCRIPTION	DATE	BY
THIS DRAWING IS THE PROPERTY OF EMERY WINSLOW SCALE COMPANY SEYMOUR, CONNECTICUT. THE INFORMATION CONTAINED HEREIN IS CONFIDENTIAL AND IS NOT TO BE USED OR DISSEMINATED TO OTHERS WITHOUT THE EXPRESS WRITTEN CONSENT OF EMERY WINSLOW SCALE COMPANY.		DRAWN: CEM DATE: 07/13/2020	
CHECKED: DATE:		SCALE: FIRST USED ON	
ACAD FILENAME: T05627		DRAWING NO. D-75488	
LAYERS USED: ALL		REV B	