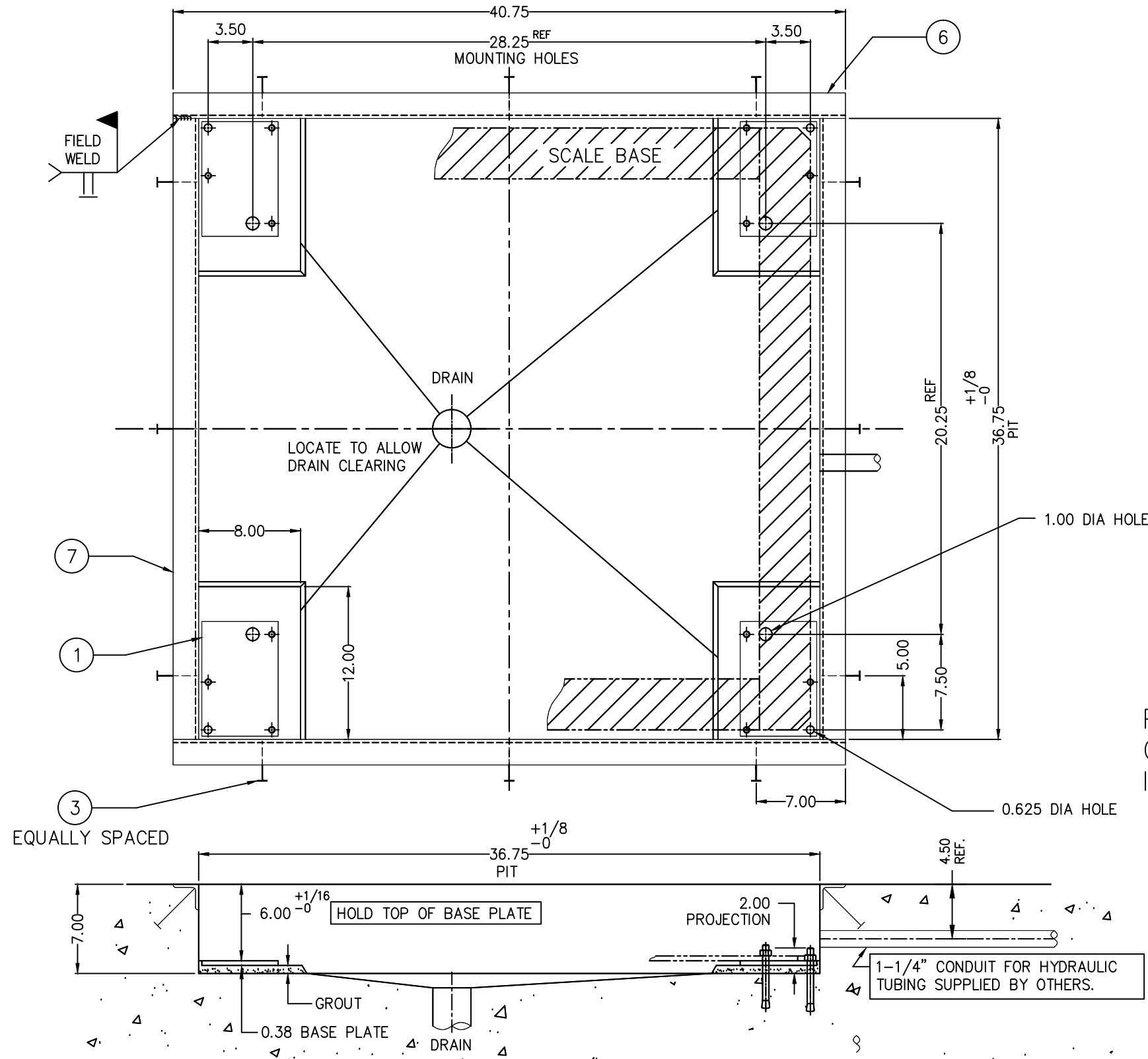
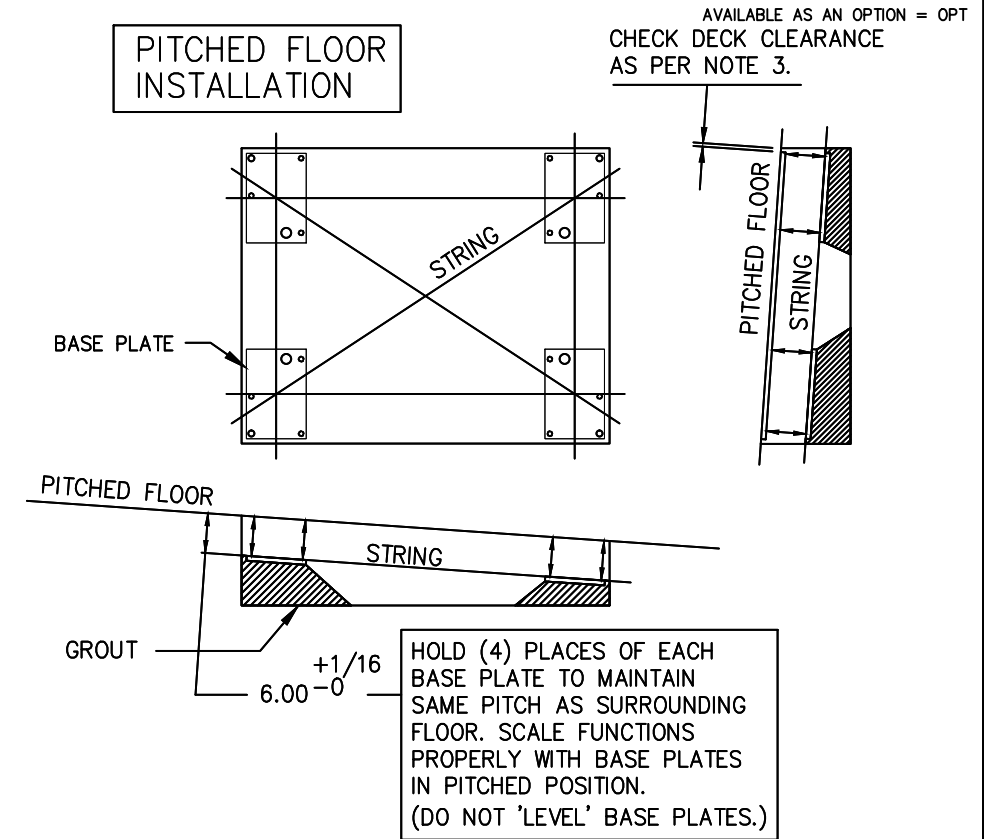


NOTES:

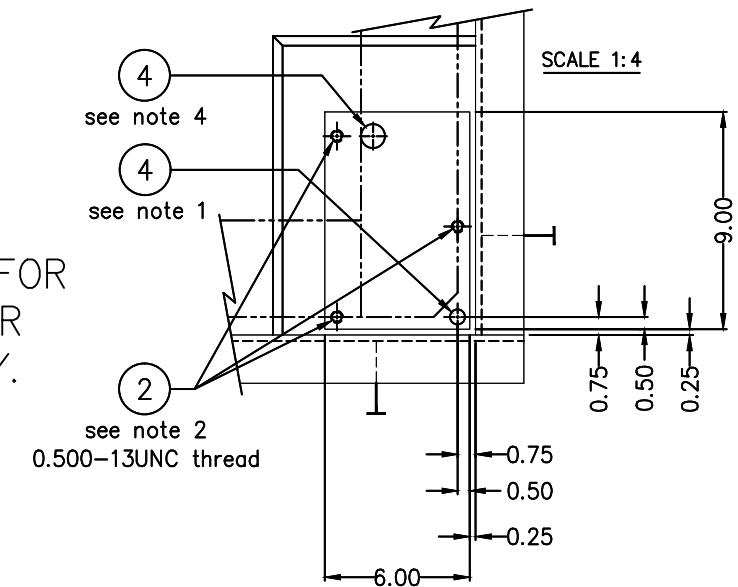
1. Install four (4) anchor bolts, item 4, as per manufacturers specification.
2. Set base plate item 1 to proper height and level as specified, using greased leveling screws. Remove plate and apply a layer of grout in plate area slightly higher than required. Bolt base plate down to preset screws, squeezing out excess grout. Double check height and level. Remove leveling screws after approximately 2 to 3 hours.
3. Place scale assembly into pit with removable deck installed. Check for even gap between decks and pit coping all around scale.
4. Remove decks and transfer drill holes for four (4) anchor bolts, item 4. Install anchor bolts as per manufacturer's specification.
5. Tighten anchor bolts.

ITEM NO.	DESCRIPTION	QTY	MATERIAL	UNIT WT.	PART NO.	SIZE	WT.
1	BASE PLATE	4	SS 304	7.65	B-33340	(0.38 X 6 X 9)	20.5
2	LEVELING SCREW	12	CS		0.500-13UNC X 4.00		
3	NELSON STUD	12	CS		101-053-003	0.50 X 4.13 X H4L	OPT
4	ANCHOR BOLT	8	SS 304		KB11304SS112-512	HILT OR EQUAL	OPT
5	GROUT (NON-SHRINKING)	A/R			FIVE STAR PRODUCTS, INC., FAIRFIELD, CT., 06430	OR EQUAL	OPT
6	COPING		SS 304		2 X 2 X 0.25 X 40.75		OPT
7	COPING		SS 304		2 X 2 X 0.25 X 36.75		OPT

PITCHED FLOOR INSTALLATION



PRELIMINARY NOT FOR CONSTRUCTION. FOR ILLUSTRATION ONLY.



ALL SHARP CORNERS AND EDGES TO BE BROKEN		EMERY WINSLOW SCALE COMPANY SEYMOUR, CT U.S.A TERRE HAUTE, IN.	
B	CONDUIT IN PIT FLOOR OMITTED	06/15	SRS
A	PITCHED VIEW ADDED, ITEMS 2,4 CHANGED	11/96	JDS
LTR	REVISION	DATE	BY
THIS DRAWING IS THE PROPERTY OF EMERY WINSLOW SCALE COMPANY SEYMOUR, CONNECTICUT. THE INFORMATION CONTAINED HEREIN IS CONFIDENTIAL AND IS NOT TO BE USED OR DISSEMINATED TO OTHERS WITHOUT THE EXPRESS WRITTEN CONSENT OF EMERY WINSLOW SCALE COMPANY.		DRAWN	JDS
		DATE	1/28/96
		CHECKED	DATE
		ACAD FILENAME:	AC00298
		LAYERS USED:	1,2,3
SCALE	FIRST USED ON	DRAWING NO.	REV.
NOT TO SCALE		D-34687	B