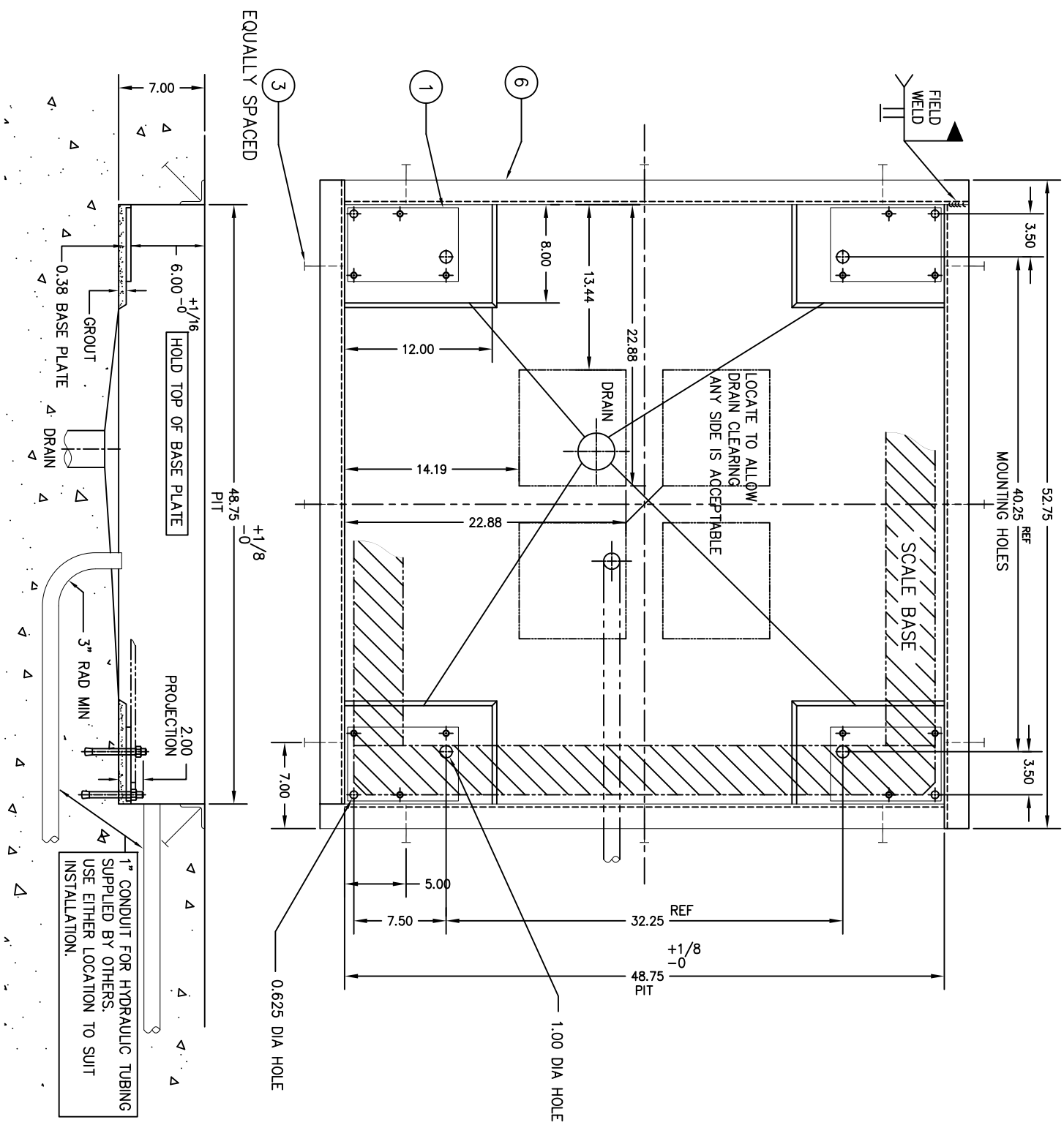
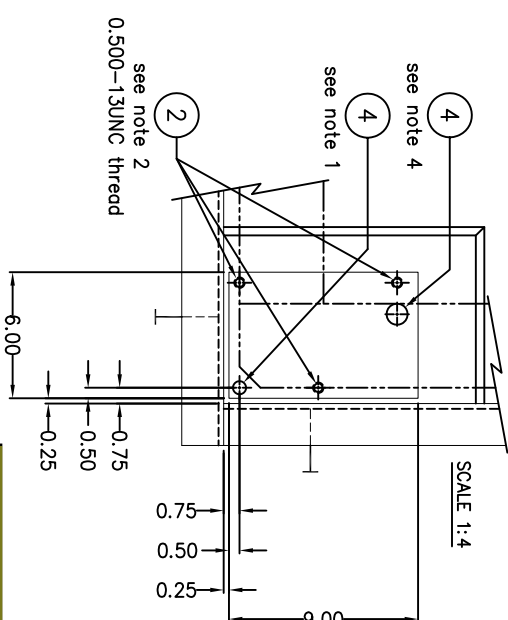
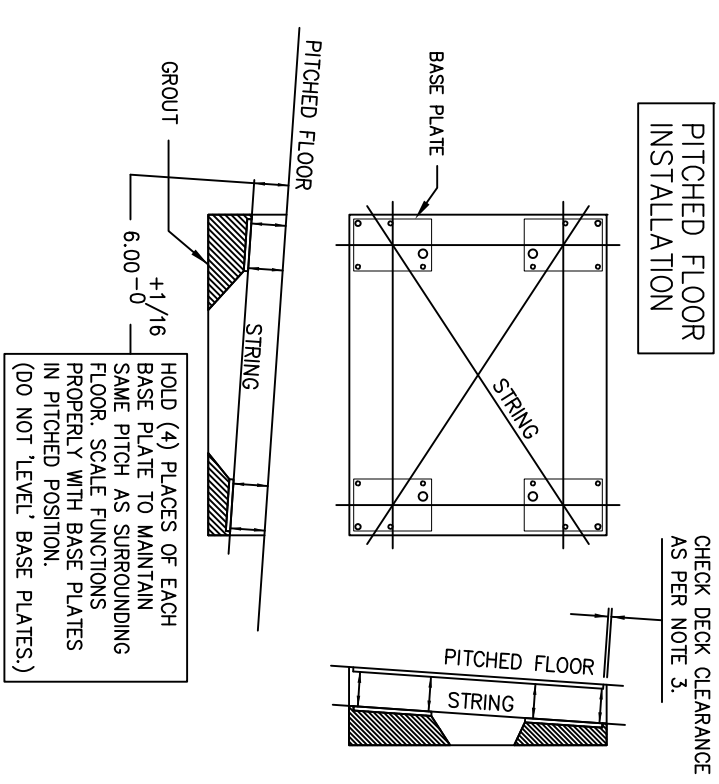


- NOTES:
1. Install four (4) anchor bolts, item 4, as per manufacturer's specification.
  2. Set base plate item 1 to proper height and level as specified, using greased leveling screws. Remove plate and apply a layer of grout in plate area slightly higher than required. Bolt base plate down to preset screws, squeezing out excess grout. Double check height and level. Remove leveling screws after approximately 2 to 3 hours.
  3. Place scale assembly into pit with removable deck installed. Check for even gap between decks and pit coping all around scale.
  4. Remove decks and transfer drill holes for four (4) anchor bolts, item 4. Install anchor bolts as per manufacturer's specification.
  5. Tighten anchor bolts.



ITEM NO.	DESCRIPTION	QTY	MATERIAL	UNIT	PART NO.	SIZE	WT.
1	BASE PLATE	4	SS 304	7.65	B-33340	(0.38 X 6 X 9)	20.5
2	LEVELING SCREW	12	CS		0.500-13UNC X 4.00		
3	NELSON STUD	12	CS		101-053-003	0.50 X 4.13 X H4L	
4	ANCHOR BOLT (NON-SHRINKING)	8	SS 304		KB11304SS112-512		
5	GROUT	A/R			FIVE STAR PRODUCTS, INC., FAIRFIELD, CT, 06430	OR EQUAL	
6	COPING	4	SS 304		2 X 2 X 0.25 X 50.75		

AVAILABLE AS AN OPTION = OPT



Preliminary  
Not for Construction  
For Illustration Only

REVISION	DATE	BY	DRAWN	JDS DATE	DATE
C	8/11	BMW			
B	11/96	JDS			
A	2/95	JDS			
LTR					

THIS DRAWING IS THE PROPERTY OF EMERY WINSLOW SCALE COMPANY. SEMAUR, CONNECTICUT. THE INFORMATION CONTAINED HEREIN IS CONFIDENTIAL, AND IS NOT TO BE USED OR DISSEMINATED TO OTHERS WITHOUT THE EXPRESS WRITTEN CONSENT OF EMERY WINSLOW SCALE COMPANY.

EMERY WINSLOW SCALE COMPANY SEMAUR, CT U.S.A.	EMERY WINSLOW SCALE COMPANY TERRE HAUTE, IN. U.S.A.
---	---

PIT ARRANGEMENT  
MODEL 709-44, 0.25 DECK

SCALE	FIRST USED ON	DRAWING NO.	REV.
AS SHOWN		D-34500	C