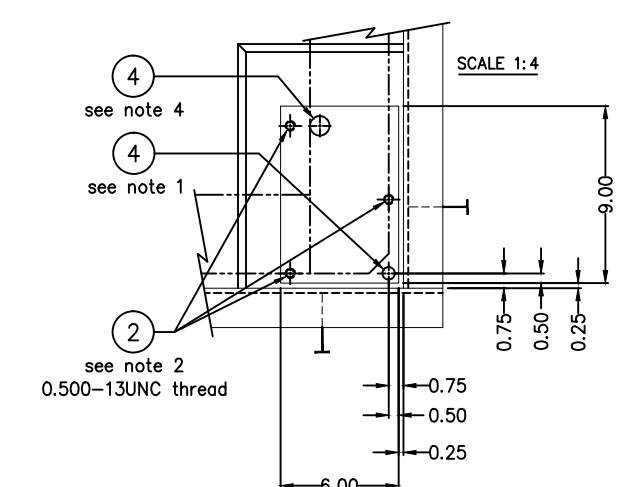
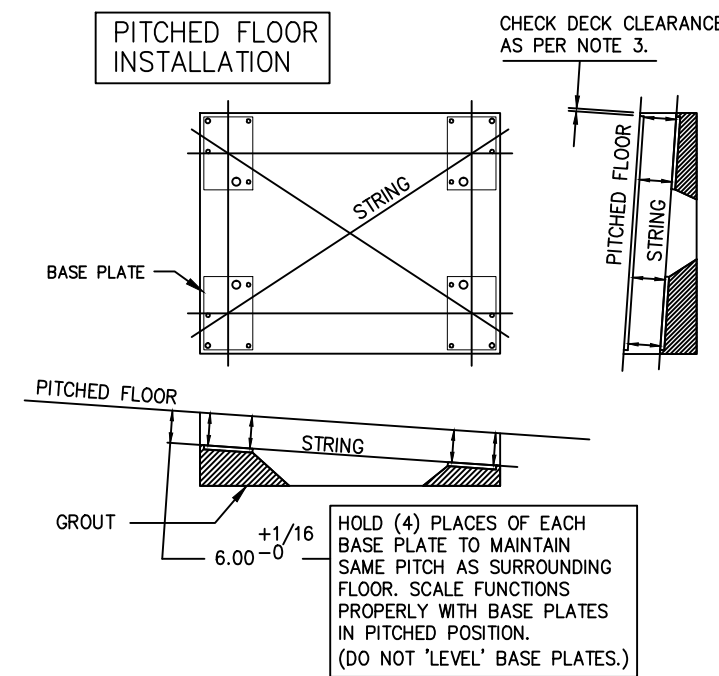
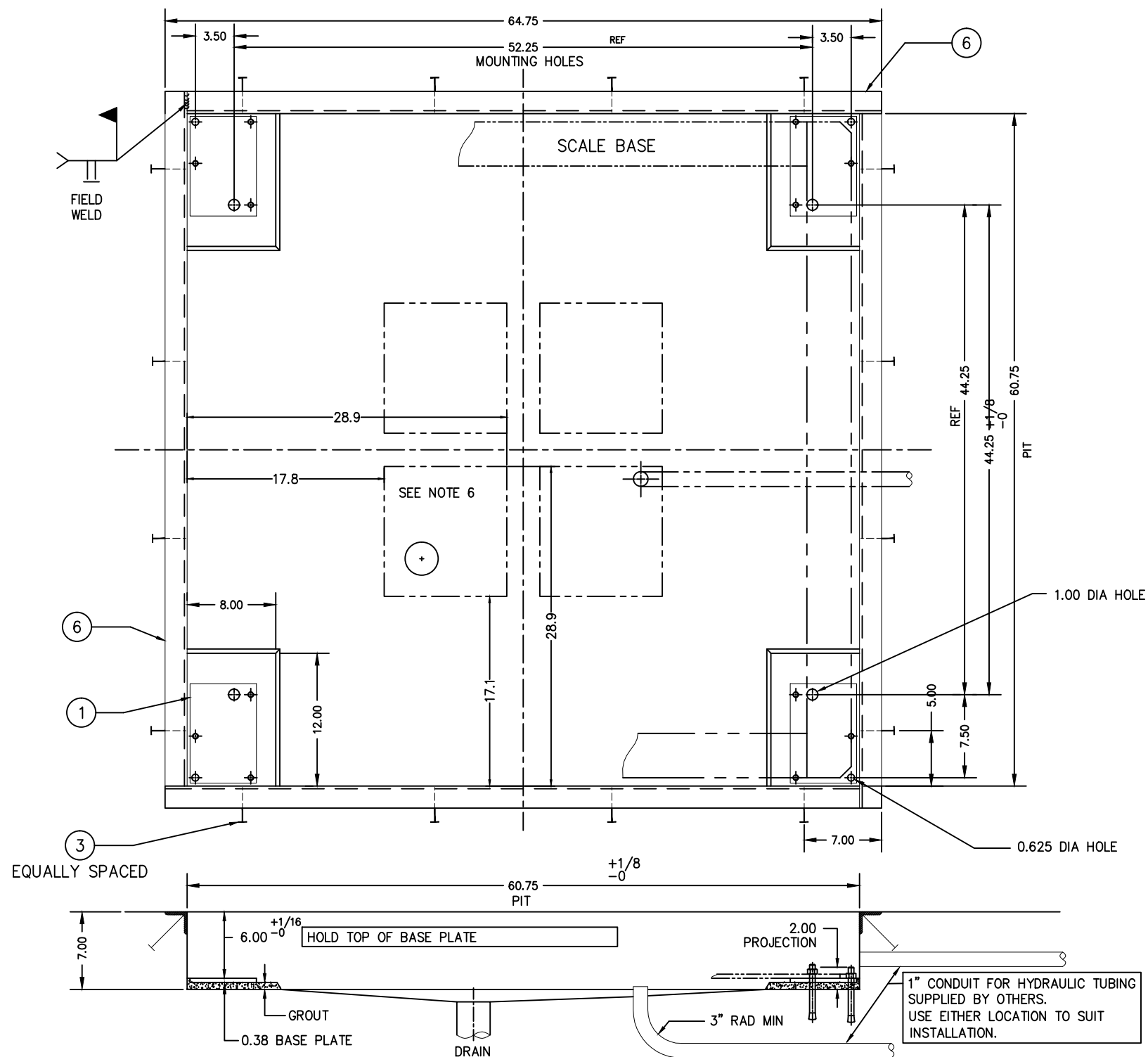


NOTES:

1. Install four (4) anchor bolts, item 4, as per manufacturers specification.
2. Set base plate item 1 to proper height and level as specified, using greased leveling screws. Remove plate and apply a layer of grout in plate area slightly higher than required. Bolt base plate down to preset screws, squeezing out excess grout. Double check height and level. Remove leveling screws after approximately 2 to 3 hours.
3. Place scale assembly into pit with removable deck installed. Check for even gap between decks and pit coping all around scale.
4. Remove decks and transfer drill holes for four (4) anchor bolts, item 4. Install anchor bolts as per manufacturer's specification.
5. Tighten anchor bolts.
6. For easy access, drain should be located in one of four squares.

ITEM NO.	DESCRIPTION	QTY	MATERIAL	UNIT WT.	PART NO.	SIZE	WT.
1	BASE PLATE	4	SS 304	7.65	B-33340 (0.38 X 6 X 9)		20.5
2	LEVELING SCREW	12	CS		0.500-13UNC X 4.00		
3	NELSON STUD	16	CS		101-053-003 0.50 X 4.13 X H4L		OPT
4	ANCHOR BOLT 0.50 X 5.50	8	SS 304		KB11304SS112-512	HILT OR EQUAL	OPT
5	GROUT (NON-SHRINKING)	A/R			FIVE STAR PRODUCTS, INC., FAIRFIELD, CT., 06430	OR EQUAL	OPT
6	COPING	4	SS 304		B-72928-5 (2 X 2 X 0.25 X 62.75)		OPT

AVAILABLE AS AN OPTION = OPT



PRELIMINARY NOT FOR CONSTRUCTION. FOR ILLUSTRATION ONLY.

REV	DESCRIPTION	DATE	BY
F	ITEM 7 OMITTED, ITEM 6 WAS 64.75 LG & QTY WAS 2 NOW 4	7/22/14	CEM
E	UPDATED DRAIN LOCATION	1/15/14	GWV
D	ADDED "0.25 DECK"	1/18/08	BMW
C	PIT DRAWN TO SCALE	4/19/04	CBM
B	PITCHED VIEW ADDED, ITEM 2,4 CHANGED	11/96	JDS
A	REDRAWN/CAD	1/95	JDS

DEBURR ALL CORNERS AND EDGES		EMERY WINSLow SCALE COMPANY SEYMOUR, CT U.S.A TERRE HAUTE, IN.	
DIMENSIONS ARE IN INCHES. TOLERANCES UNLESS SPECIFIED OTHERWISE:		PIT ARRANGEMENT MODEL 709-55 0.25 DECK	
MACHINING	.XX = ± .01 ± .13	SCALE	FIRST USED ON
FABRICATION	.XXX = ± .005	1:6	D- 34118
DRAWN: JDS DATE: 1/8/95		DRAWING NO.	REV
CHECKED: DATE:		D- 34118	F
ACAD FILENAME: AC00298			
LAYERS USED: 05			