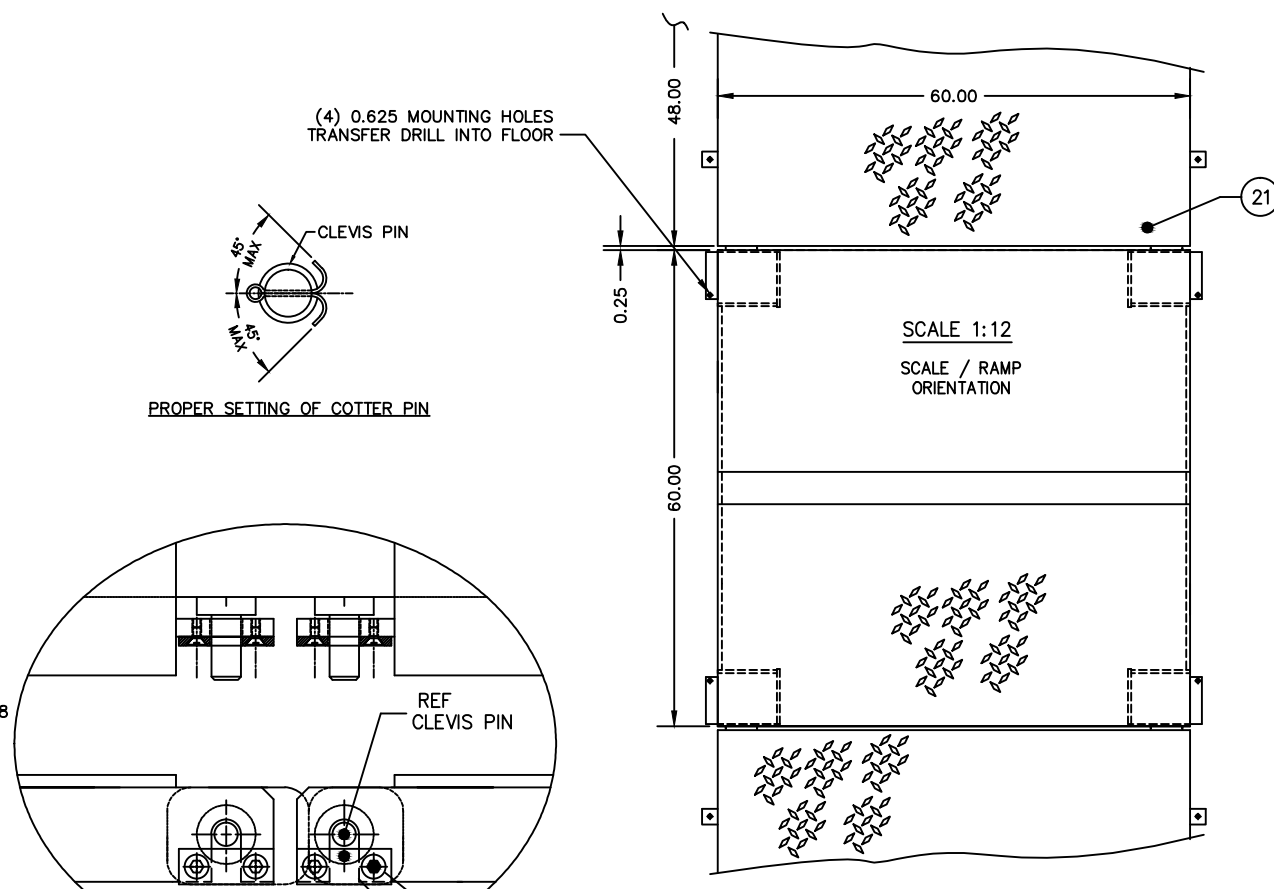
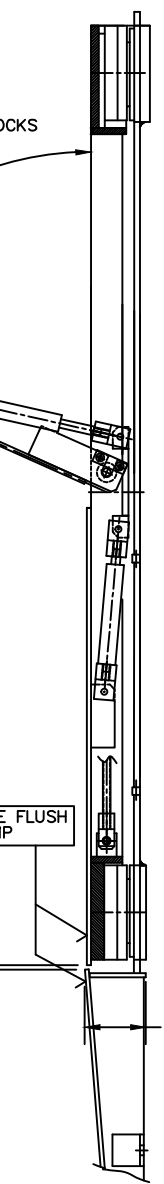
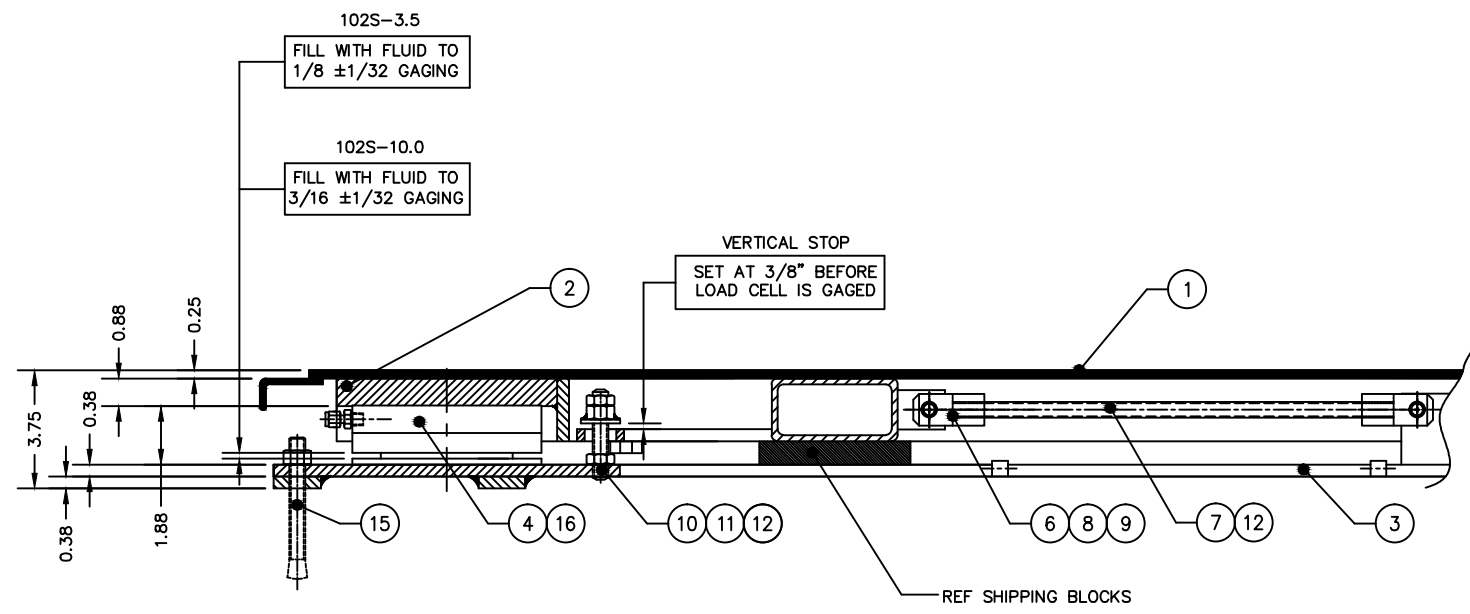
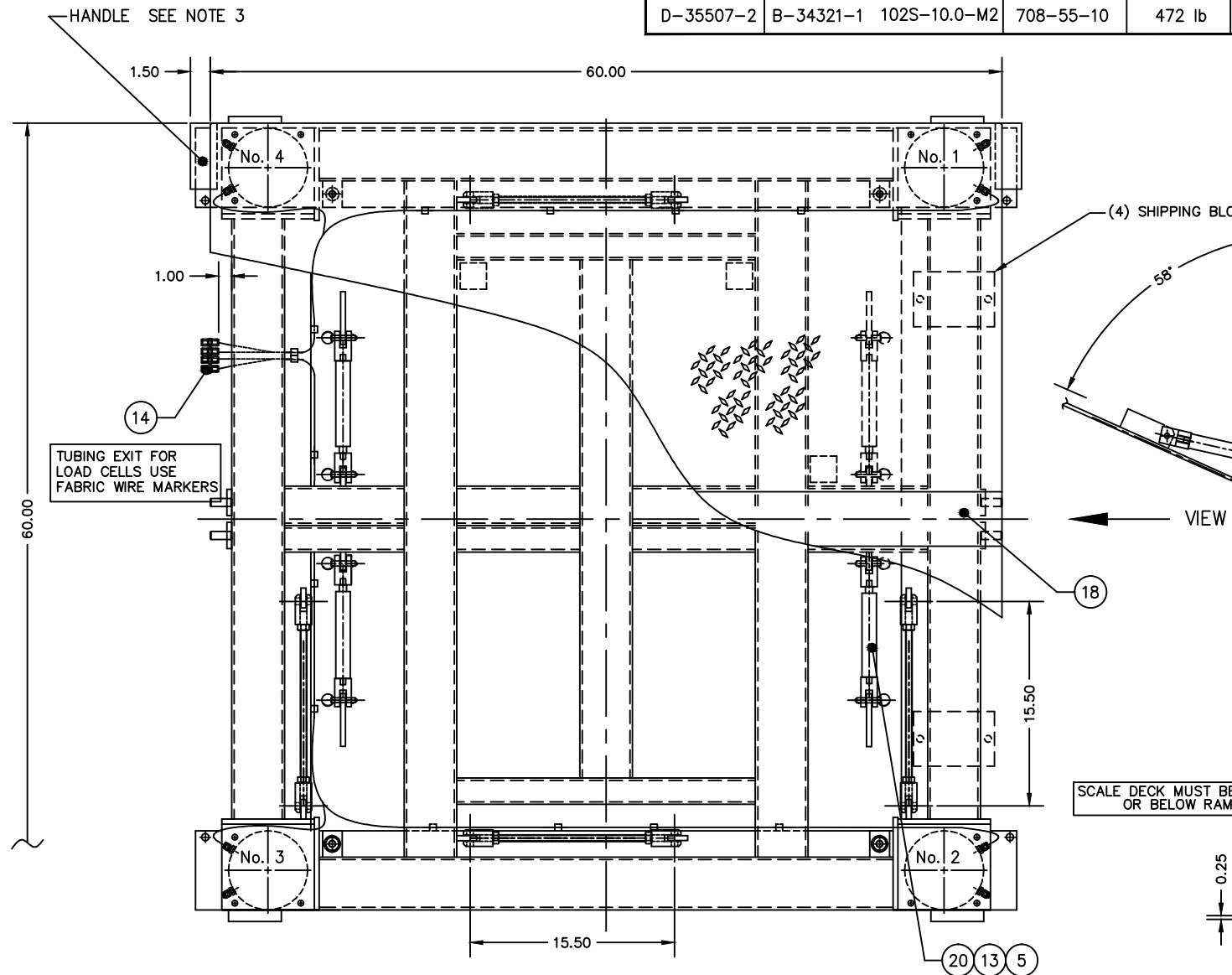


DASH NO.	LOAD CELL MODEL NO.	SCALE MODEL NO.	DEAD WEIGHT	CAPACITY
D-35507-1	B-34326-2 B-34321	102S-03.5-M1 102S-5.0-M2	708-55-2 708-55-5	2,000 LB 2,000 LB AXLE LOAD 5,000 LB 4,000 LB AXLE LOAD
D-35507-2	B-34321-1	102S-10.0-M2	708-55-10	10,000 LB 4,000 LB AXLE LOAD

ITEM NO.	DESCRIPTION	QTY	MATERIAL	UNIT WT.	PART NO.	SIZE	WT.
1	LIFT DECK SET	1	SS 304	282	D-35891 (0.25THK)	(4 WAY SAFETY PLATE - OPTIONAL)	282
2	DECK FRAME	1	SS 304		D-35890		209
3	BASE FRAME	1	SS 304		D-35509		119
4	LOAD CELL	4	SS 304		SEE TABLE		
5	ROD CLEVIS	8	SS 304		A-73497-2	M10 X 1.5	
6	ROD CLEVIS	8	SS 304		A-34541	0.500-20 UNF	
7	STAYBAR	4	SS 304		A-35900-3	(0.500-20 UNF X 13.25)	
8	CLEVIS PIN	8	SS 18-8		A-73067-1		
9	COTTER PIN	8	SS 18-8		A-73068-3-A		
10	VERTICAL STOP THRD ROD	4	SS 304			0.500-20 UNF X 2.75	
11	VS HEX NUT WELDMENT	4	SS 304		A-35703		
12	HEX NUT, HALF	16	SS 304			0.500-20 UNF	
13	QUICK RELEASE PIN	8	SS 18-8		A-73067-3	McMASTER CARR	
14	UNION	4	SS 316		SS-200-6	SWAGelok OR EQUAL	
15	ANCHOR BOLT 0.50 X 4.50	4 + A/R	SS 304		KB11304SS12-412	HILTI OR EQUAL	
16	HHCS	8	SS			0.250-20 UNC X 0.50	
17	FHSCS	8	SS			0.250-20 UNC X 0.50	
18	SPACER BAR	1	SS 304		B-35558-2		
19	LASH	4	SS 304		A-35557		
20	GAS SPRINGS	4	SS 316		A-73066-3		
21	RAMP	A/R	SS 304		B-35706		



PRELIMINARY NOT FOR CONSTRUCTION. FOR ILLUSTRATION ONLY.

NOTES:

- CAUTION: WHEN USING FORK LIFT TO MOVE SCALE ADD SHIPPING BLOCKS AS SHOWN.
- SEE PRODUCTION CONTROL DRAWING D-35654.
- OPENING HAND FORCE 45 lb.
- FINISH: WHITE SAND BLAST TO (125 MIC).

REV	DESCRIPTION	DATE	BY
H	ADDED CLEVIS PINS AND ADDITIONAL TUBES	7/28/09	TMC
G	DRAWING & BOM UPDATED TO NEW STAYBAR ARRANGEMENT	9/6/05	CBM
F	CHART UPDATED	7/28/04	CBM
E	DECK FRAME REDESIGNED D-35891 WAS D-35510. D-35890 WAS D-35508	2/19/04	CBM
D	DRAWING UPDATED	10/29/03	CBM
C	3.75 WAS 4.00, 0.38 WAS 0.63 AND 3.88 WAS 4.25. ITEM 17 0.250-20UNC X 0.50 WAS 0.250-20UNC X 0.38. ON B/M ITEM 21 B-35706 WAS B-34859.	01/28/03	GMR
B	REVISED	11/8/02	CBM
A	REVISED	4/8/02	CBM

EMERY WINSLOW SCALE COMPANY
SEYMOUR, CT U.S.A TERRE HAUTE, IN.

SCALE ASSEMBLY
708-55-
WITH GAS SPRING LIFT DECK

DRAWN: CBM DATE: 9/28/01

CHECKED: DATE: AC00871
LAYERS USED: L0-L06

SCALE FIRST USED ON DRAWING NO. 1:6 1:3 D-35507- K

K	L/C FOR -1 SK WAS B-34321-1	05/22/11	CEM
J	CLEVISES & BOM UPDATED	12/17/13	CEM