

PRELIMINARY NOT FOR CONSTRUCTION. FOR ILLUSTRATION ONLY.

- NOTES:**
- REFERENCE INFORMATION:
 

|              |                               |
|--------------|-------------------------------|
| D-71554-F    | FOUNDATION PLAN               |
| B-33069-G    | PIPING DIAGRAM (4 SECTION)    |
| A5928 Line 5 | DECK REINFORCING DETAIL       |
| D-93028-G    | DECK CHANNEL INSTALLATION     |
| D342-1       | APPROACH                      |
| A-72143      | LOAD CELL INSTALLATION INSTR. |
| 92-086PA2    | NTEP NUMBER                   |
| 80,000       | CLC                           |
| 50,000 LB    | LOADING AT EACH LOAD CELL     |
  - CRANE CAPACITY & INSTALLATION NOTES:
 

THE MINIMUM CAPACITY IS 3600 LB, LARGEST PIECE APPROXIMATELY 24' X 8' X 2'

SET TWO END BRIDGES FIRST, FOLLOWED BY THE CENTER BRIDGE SUCH THAT THE CENTER BRIDGE IS CONNECTED TO THE END BRIDGES BY THE FOUR (4) LOAD PLATES WITH CENTERING RINGS ET AL. ALIGN BRIDGES AND INSTALL SPLICE PLATES. LIFT BRIDGES MADE FOR CONCRETE DECKS BY (4) LOOPS ON THE MAIN BEAMS. LIFT BRIDGES MADE FOR STEEL DECKS BY THE STRINGERS. INSTALL BRIDGE(S) BEFORE INSTALLING THE DECK.
  - FOR COMMERCIAL SCALES CHECK WITH LOCAL WEIGHTS AND MEASURES OFFICIALS BEFORE STARTING CONSTRUCTION. NATIONAL BUREAU OF STANDARDS HANDBOOK 44 REQUIRES:
 

A.) A STRAIGHT APPROACH OF AT LEAST ONE-HALF THE LENGTH OF THE PLATFORM.

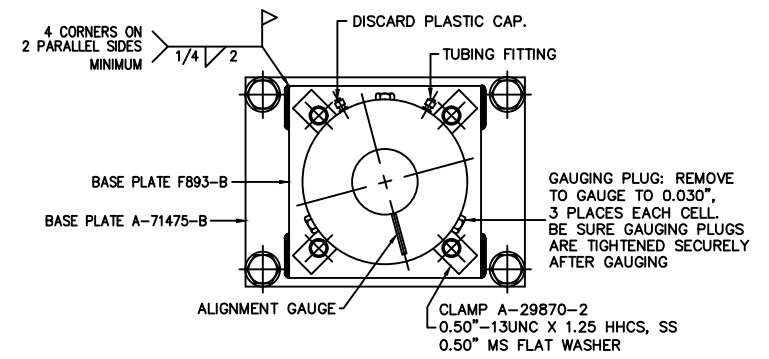
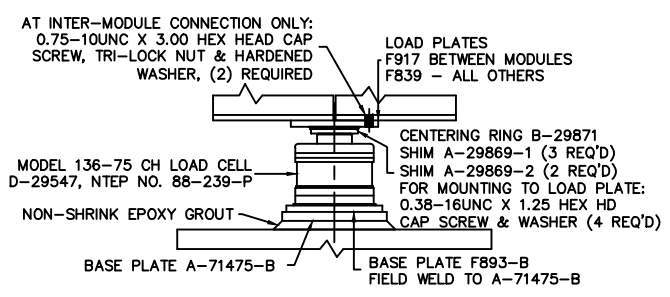
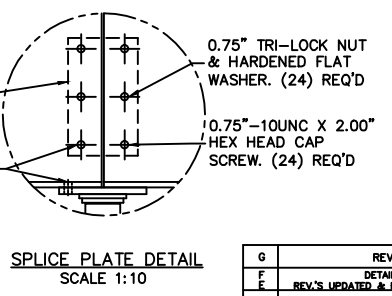
B.) NOT LESS THAN 10 FEET OF APPROACH ADJACENT TO THE PLATFORM TO BE CONSTRUCTED OF CONCRETE OR SIMILAR DURABLE MATERIAL AND BE LEVEL AND IN THE SAME PLANE AS THE PLATFORM.

FOR NON COMMERCIAL SCALES PROVIDE AN APPROACH OF 2 FEET MINIMUM LENGTH WHICH IS LEVEL AND IN THE SAME PLANE AS THE PLATFORM.
  - CHECK WITH THE PROPER REGULATORY AUTHORITIES AS TO ANY SPECIAL STATE OR OTHER REGULATORY REQUIREMENTS REGARDING PIT DEPTHS. PIT CONSTRUCTION AND APPROACH DIMENSIONS WHICH MIGHT AFFECT INSTALLATION ARE SHOWN. EMERY WINSLOW WILL ASSUME NO RESPONSIBILITY FOR CHANGES NECESSITATED BY ANY STATE OR ANY OTHER REGULATORY REQUIREMENTS AS TO INSTALLATION OF OUR SCALES.

TYPICAL CORNER DETAIL SHOWING INSTALLATION OF TRANSVERSE CHECKING BUMPER PLATE (0.50 X 1.00 X 4.00) (4) REQUIRED PER PLATFORM SCALE 1:10

DETAIL OF LONGITUDINAL CHECK BOLT BUMPER (END WALL) SCALE 1:10

SECTION B-B ROTATE 90°, SCALE 1:20



TYPICAL TOP VIEW OF CELL ON BASE PLATE (VIEW ROTATED 90°) FIELD WELD BASE PLATE TO LOWER PLATE AFTER LOADCELL IS PROPERLY CENTERED WITH CENTERING RING SCALE 1:5

| REV. | DESCRIPTION                             | DATE  | BY  | CHECKED | DATE |
|------|---|-------|-----|---------|------|
| G    | REV'S UPDATED                           | 11/08 | CEM |         |      |
| F    | DETAILS UPDATED                         | 02/08 | CEM |         |      |
| E    | REV'S UPDATED & B. PL. A-71475 WAS FRIB | 11/06 | CEM |         |      |
| D    | REV'S UPDATED                           | 12/05 | CEM |         |      |
| C    | SPLICE PLATE DETAIL ADDED               | 03/05 | CEM |         |      |
| B    | DETAILS & REV'S UPDATED                 | 10/04 | CEM |         |      |
| A    | L/C SPANS CHANGED - EVENED OUT          | 04/04 | CEM |         |      |
| LTR  | REVISION                                | DATE  | BY  | DATE    | BY   |

EMERY WINSLOW SCALE COMPANY  
SEYMOUR, CT U.S.A. TERRE HAUTE, IN.

MODEL 44-10070-10  
6" CD, 70' X 10'  
OUTLINE w/4' PIT

SCALE 1:30 FIRST USED ON DRAWING NO. D-71553

THIS DRAWING IS THE PROPERTY OF EMERY WINSLOW SCALE COMPANY SEYMOUR, CONNECTICUT. THE INFORMATION CONTAINED HEREIN IS CONFIDENTIAL AND IS NOT TO BE USED OR DISSEMINATED TO OTHERS WITHOUT THE EXPRESS WRITTEN CONSENT OF EMERY WINSLOW SCALE COMPANY.