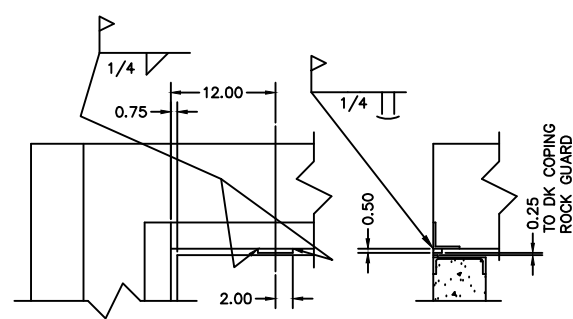
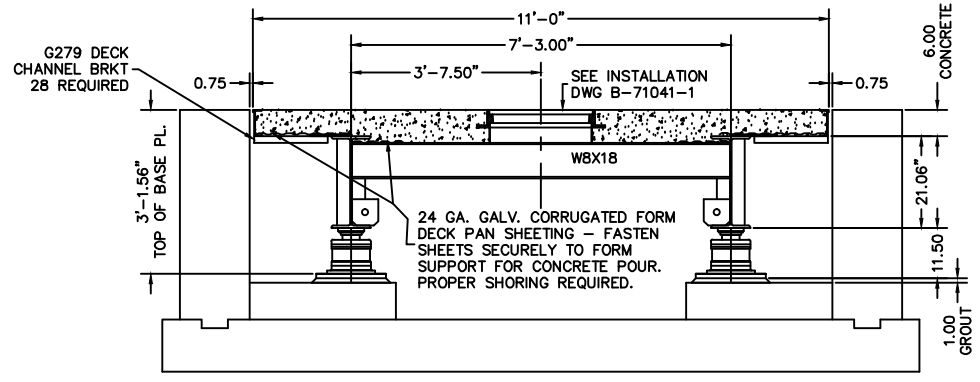


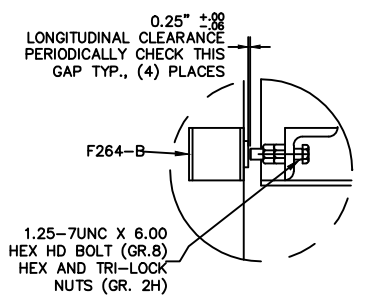
SECTION A-A



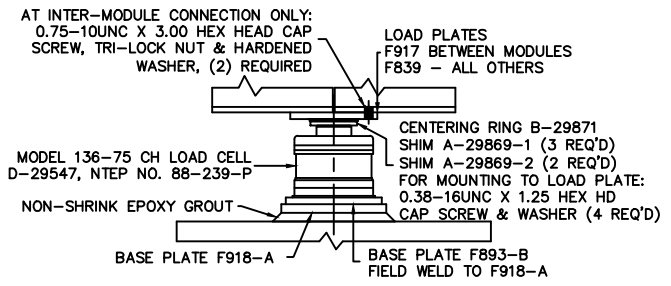
TYPICAL CORNER DETAIL SHOWING INSTALLATION OF TRANSVERSE CHECKING BUMPER PLATE (0.50 X 1.00 X 4.00) (4) REQUIRED PER PLATFORM. SCALE 1:10



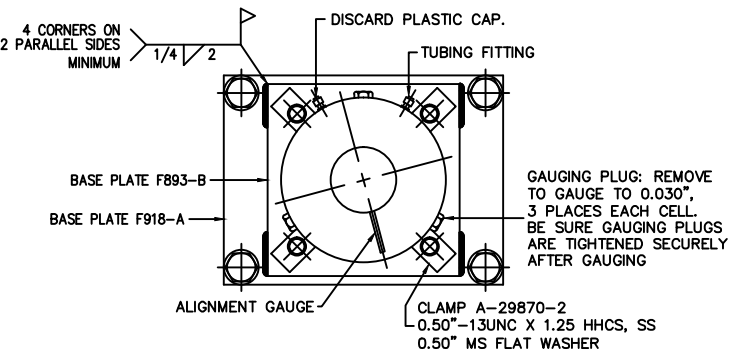
SECTION B-B SCALE 1:20



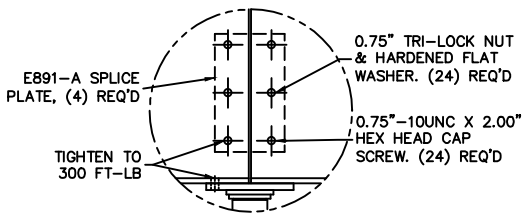
DETAIL OF LONGITUDINAL CHECK BOLT BUMPER (END WALL) SCALE 1:10



VIEW OF LOAD CELL INSTALLED AT WEIGHBRIDGE CONNECTION (SEE DWG F987-D) SCALE 1:10



TYPICAL TOP VIEW OF CELL ON BASE PLATE (VIEW ROTATED 90°) FIELD WELD BASE PLATE TO LOWER PLATE AFTER LOADCELL IS PROPERLY CENTERED WITH CENTERING RING SCALE 1:5



SPLICE PLATE DETAIL SCALE 1:10

NOTES:

- REFERENCE INFORMATION:

FOUNDATION PLAN	D-71865
PIPING DIAGRAM (4 SECTION)	B-33069-G
DECK REINFORCING DETAIL	D-A5928 Line 28
DECK CHANNEL INSTALLATION	D-9302B-F
APPROACH	D342-1
LOAD CELL INSTALLATION INSTR.	F987-D
NTEP NUMBER	92-086PA2
CLC	65,000
LOADING AT EACH LOAD CELL	50,000 LB
- CRANE CAPACITY & INSTALLATION NOTES:

THE MINIMUM CAPACITY IS 3100 LB, LARGEST PIECE APPROXIMATELY 21' X 8' X 2' SET TWO END BRIDGES FIRST, FOLLOWED BY THE CENTER BRIDGE SUCH THAT THE CENTER BRIDGE IS CONNECTED TO THE END BRIDGES BY THE FOUR (4) LOAD PLATES WITH CENTERING RINGS ET AL. ALIGN BRIDGES AND INSTALL SPLICE PLATES. LIFT BRIDGES MADE FOR CONCRETE DECKS BY (4) LOOPS ON THE MAIN BEAMS. INSTALL BRIDGE(S) BEFORE INSTALLING THE DECK.
- FOR COMMERCIAL SCALES CHECK WITH LOCAL WEIGHTS AND MEASURES OFFICIALS BEFORE STARTING CONSTRUCTION. NATIONAL BUREAU OF STANDARDS HANDBOOK 44 REQUIRES:

A.) A STRAIGHT APPROACH OF AT LEAST ONE-HALF THE LENGTH OF THE PLATFORM.
 B.) NOT LESS THAN 10 FEET OF APPROACH ADJACENT TO THE PLATFORM TO BE CONSTRUCTED OF CONCRETE OR SIMILAR DURABLE MATERIAL AND BE LEVEL AND IN THE SAME PLANE AS THE PLATFORM.

FOR NON COMMERCIAL SCALES PROVIDE AN APPROACH OF 2 FEET MINIMUM LENGTH WHICH IS LEVEL AND IN THE SAME PLANE AS THE PLATFORM.
- CHECK WITH THE PROPER REGULATORY AUTHORITIES AS TO ANY SPECIAL STATE OR OTHER REGULATORY REQUIREMENTS REGARDING PIT DEPTHS. PIT CONSTRUCTION AND APPROACH DIMENSIONS WHICH MIGHT AFFECT INSTALLATION ARE SHOWN. EMERY WINSLOW WILL ASSUME NO RESPONSIBILITY FOR CHANGES NECESSITATED BY ANY STATE OR ANY OTHER REGULATORY REQUIREMENTS AS TO INSTALLATION OF OUR SCALES.

ALL SHARP CORNERS AND EDGES TO BE BROKEN				EMERY WINSLOW SCALE COMPANY SEYMOUR, CT U.S.A. TERRE HAUTE, IN.	
UNLESS OTHERWISE SPECIFIED DIMENSIONS ARE IN INCHES				MODEL 44-10060-11 CD 60' X 11', 100 TON, 6" CD OUTLINE W/4' PIT	
MACHINING		FABRICATION		SCALE	
±.00		±.03		FIRST USED ON	
±.00		±.03		DRAWING NO.	
±.00		±.03		D-71864	
THIS DRAWING IS THE PROPERTY OF EMERY WINSLOW SCALE COMPANY SEYMOUR, CONNECTICUT. THE INFORMATION CONTAINED HEREIN IS CONFIDENTIAL AND IS NOT TO BE USED OR DISSEMINATED TO OTHERS WITHOUT THE EXPRESS WRITTEN CONSENT OF EMERY WINSLOW SCALE COMPANY.				REV.	
LAYER USED: ALL				1:30	