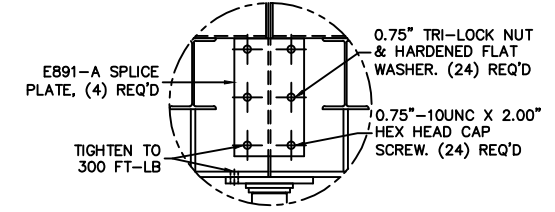


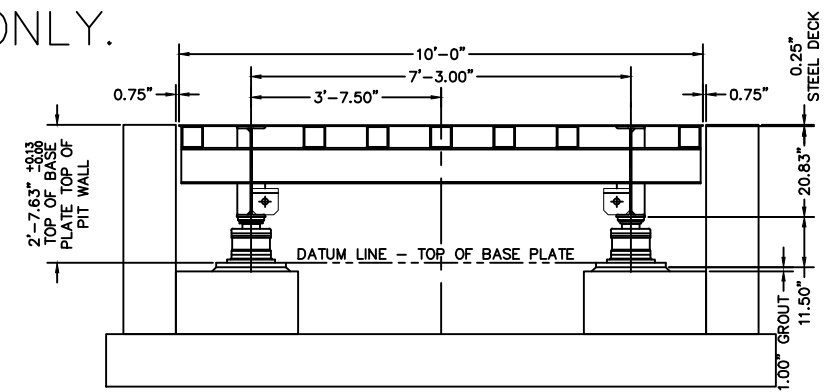
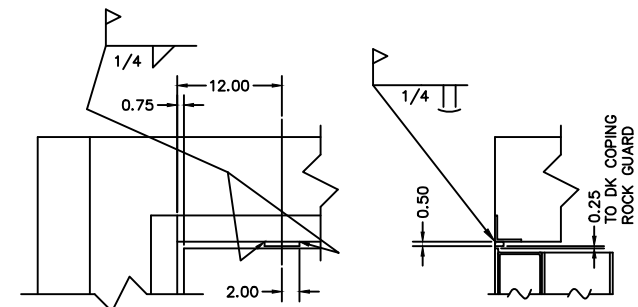
8.00 APPROACH SLAB, REF. D342-1 BOTH ENDS - BY OTHERS  
1.75\"/>

PRELIMINARY NOT FOR CONSTRUCTION. FOR ILLUSTRATION ONLY.



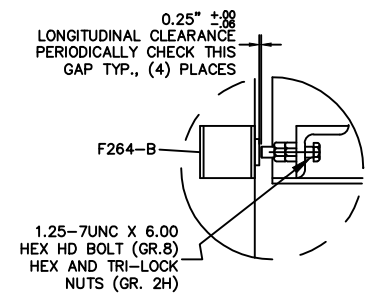
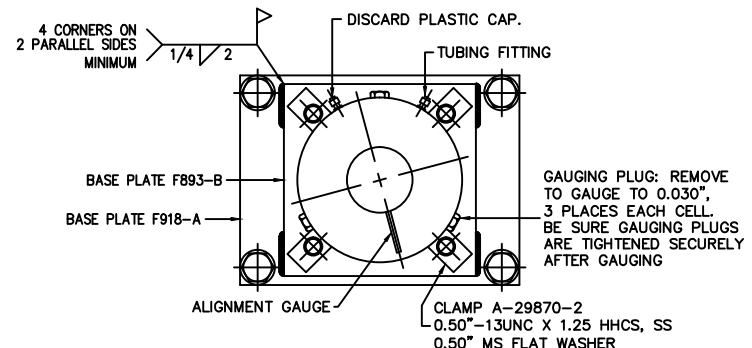
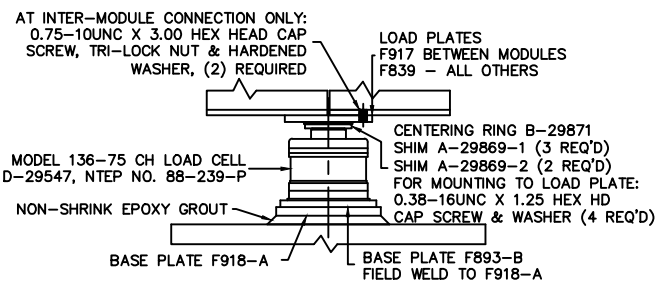
NOTES:

- REFERENCE INFORMATION:  
FOUNDATION PLAN D-71867  
PIPING DIAGRAM (4 SECTION) B-33069-G  
APPROACH D342-1  
LOAD CELL INSTALLATION INSTR. F987-D  
NTEP NUMBER 92-086PA2  
CLC 80,000  
LOADING AT EACH LOAD CELL 50,000 LB
- CRANE CAPACITY & INSTALLATION NOTES:  
THE MINIMUM CAPACITY IS 7800 LB, LARGEST PIECE APPROXIMATELY 21' X 8' X 2'  
INSTALL THE BRIDGES IN THE ORDER SHOWN IN THE PLAN VIEW. THE FIRST BRIDGE IS #1 & HAS (4) LOAD PLATES WITH SHIM AND CENTERING RINGS ATTACHED. THESE (4) LOAD PLATES WOULD REST ATOP THE (4) LOAD CELLS IN THE TWO SECTIONS THAT SUPPORT BRIDGE #1. PICK UPS ARE IN TOP OF DECK.
- FOR COMMERCIAL SCALES CHECK WITH LOCAL WEIGHTS AND MEASURES OFFICIALS BEFORE STARTING CONSTRUCTION. NATIONAL BUREAU OF STANDARDS HANDBOOK 44 REQUIRES:  
A.) A STRAIGHT APPROACH OF AT LEAST ONE-HALF THE LENGTH OF THE PLATFORM.  
B.) NOT LESS THAN 10 FEET OF APPROACH ADJACENT TO THE PLATFORM TO BE CONSTRUCTED OF CONCRETE OR SIMILAR DURABLE MATERIAL AND BE LEVEL AND IN THE SAME PLANE AS THE PLATFORM.  
FOR NON COMMERCIAL SCALES PROVIDE AN APPROACH OF 2 FEET MINIMUM LENGTH WHICH IS LEVEL AND IN THE SAME PLANE AS THE PLATFORM.
- CHECK WITH THE PROPER REGULATORY AUTHORITIES AS TO ANY SPECIAL STATE OR OTHER REGULATORY REQUIREMENTS REGARDING PIT DEPTHS. PIT CONSTRUCTION AND APPROACH DIMENSIONS WHICH MIGHT AFFECT INSTALLATION ARE SHOWN. EMERY WINSLOW WILL ASSUME NO RESPONSIBILITY FOR CHANGES NECESSITATED BY ANY STATE OR ANY OTHER REGULATORY REQUIREMENTS AS TO INSTALLATION OF OUR SCALES.



SECTION B-B  
SCALE 1:20

PRELIMINARY NOT FOR CONSTRUCTION



PRELIMINARY NOT FOR CONSTRUCTION FULL SIZE PLOT D-24X36

ALL SHARP CORNERS AND EDGES TO BE BROKEN				EMERY WINSLOW SCALE COMPANY SEYMOUR, CT U.S.A. TERRE HAUTE, IN.	
UNLESS OTHERWISE SPECIFIED DIMENSIONS ARE IN INCHES				MODEL 44-10060-10 60' X 10', 100 TON & 1/4\"/>	
MACHINING		FABRICATION		DATE 08/10/05	
±.00		±.03		DRAWN CEM	
±.00		±.05		CHECKED DATE	
ACAD FILENAME: T02003		LAYERS USED: ALL		SCALE 1:30	
THIS DRAWING IS THE PROPERTY OF EMERY WINSLOW SCALE COMPANY SEYMOUR, CONNECTICUT. THE INFORMATION CONTAINED HEREIN IS CONFIDENTIAL AND IS NOT TO BE USED OR DISSEMINATED TO OTHERS WITHOUT THE EXPRESS WRITTEN CONSENT OF EMERY WINSLOW SCALE COMPANY.				DRAWING NO. D-71866	