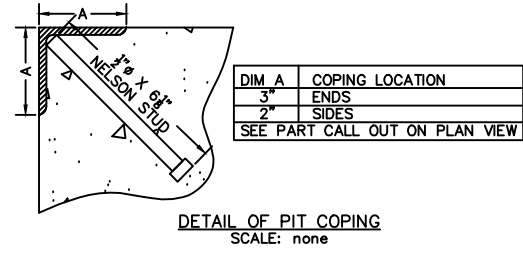


PRELIMINARY NOT FOR CONSTRUCTION. FOR ILLUSTRATION ONLY.

**NOTES:**  
FOR COMMERCIAL SCALES CHECK WITH LOCAL WEIGHTS AND MEASURES OFFICIALS BEFORE STARTING CONSTRUCTION. NATIONAL BUREAU OF STANDARDS HANDBOOK 44 REQUIRES:  
A.) A STRAIGHT APPROACH OF AT LEAST ONE-HALF THE LENGTH OF THE PLATFORM.  
B.) NOT LESS THAN 10 FEET OF APPROACH ADJACENT TO THE PLATFORM TO BE CONSTRUCTED OF CONCRETE OR SIMILAR DURABLE MATERIAL AND BE LEVEL AND IN THE SAME PLANE AS THE PLATFORM.  
FOR NON COMMERCIAL SCALES PROVIDE AN APPROACH OF 2 FEET MINIMUM LENGTH WHICH IS LEVEL AND IN THE SAME PLANE AS THE PLATFORM.  
CHECK WITH THE PROPER REGULATORY AUTHORITIES AS TO ANY SPECIAL STATE OR OTHER REGULATORY REQUIREMENTS REGARDING PIT DEPTHS. PIT CONSTRUCTION AND APPROACH DIMENSIONS WHICH MIGHT AFFECT INSTALLATION ARE SHOWN. EMERY WINSLOW WILL ASSUME NO RESPONSIBILITY FOR CHANGES NECESSITATED BY ANY STATE OR ANY OTHER REGULATORY REQUIREMENTS AS TO INSTALLATION OF OUR SCALES.  
EMERY WINSLOW SCALE COMPANY WILL NOT BE RESPONSIBLE FOR THE STABILITY OF THE FOUNDATION IF CONSTRUCTION IS NOT IN STRICT ACCORDANCE WITH THIS PLAN.  
A SOIL BEARING CAPACITY OF 3500 POUNDS PER SQUARE FOOT (MINIMUM) IS REQUIRED. THE SCALE FOUNDATION INSTALLER SHALL BE RESPONSIBLE FOR DETERMINING WHETHER OR NOT SOIL CHARACTERISTICS MEET THIS REQUIREMENT.  
EXCAVATION, FOUNDATION FORMS, REBAR AND CONCRETE ARE FURNISHED BY OTHER THAN EMERY WINSLOW. ERECT AND SET ANCHOR BOLTS FROM CENTERLINES. TOLERANCES ON DIMENSIONS LOCATING ANCHOR BOLTS ARE PLUS OR MINUS ONE-QUARTER INCH. TOPS OF PIERS SHALL BE FINISHED SMOOTH AND LEVEL, ALSO IN THE SAME PLANE. THE SIDE AND END WALLS SHALL BE SQUARE WITH EACH OTHER. THE TOP OF THE WALLS AT THE COPING ANGLES IS TO BE ON ONE LEVEL PLANE.  
ALL CONCRETE SHOULD DEVELOP 4000 PSI IN 28 DAYS WITH Fc = 1600 MINIMUM.  
ALL REINFORCING STEEL SHALL BE INTERMEDIATE OR HARD GRADE NEW BILLET STEEL AND CONFORM TO ASTM SPECIFICATION NUMBER A615 GRADE 60, MINIMUM.  
HOLD ALL REINFORCING STEEL TO WITHIN 1-1/2" FROM FACE OF CONCRETE, EXCEPT FOR WHERE CONCRETE IS EXPOSED TO SOIL, IN WHICH CASE THE COVERAGE SHALL BE 3".  
ALL REINFORCING STEEL SHALL BE PLACED IN ACCORDANCE WITH CRSI CODE AND SHALL BE PROPERLY TIED TO REMAIN IN PLACE DURING CONCRETE POURING.  
THE SCALE PIT SHALL REMAIN DRY AT ALL TIMES AND ADEQUATE DRAINAGE SHALL BE PROVIDED FOR THE PURPOSE OF INSPECTION AND CLEANING. IN CASE A DRAIN CAN NOT BE USED AND A SUMP PUMP IS USED, IT MUST BE AUTOMATIC. FLOOR OF PIT MUST SLOPE TOWARD DRAIN OR SUMP INLET. DRAIN SHOULD BE 4" MINIMUM WITH GRATE COVER.

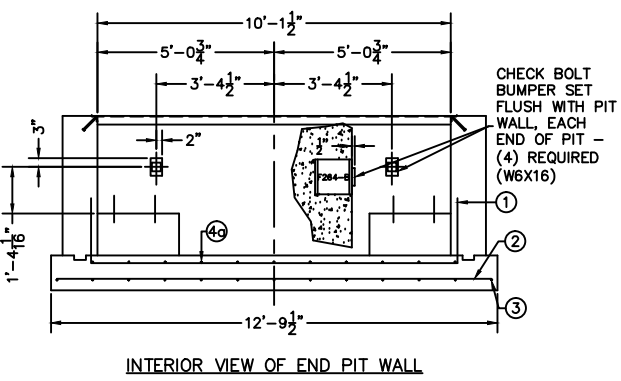


REINFORCING ROD SCHEDULE 44-10060-ASD

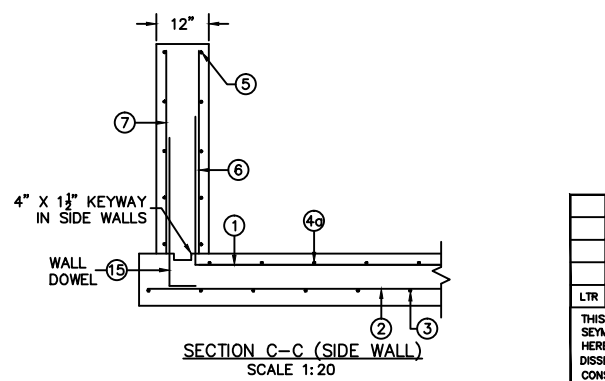
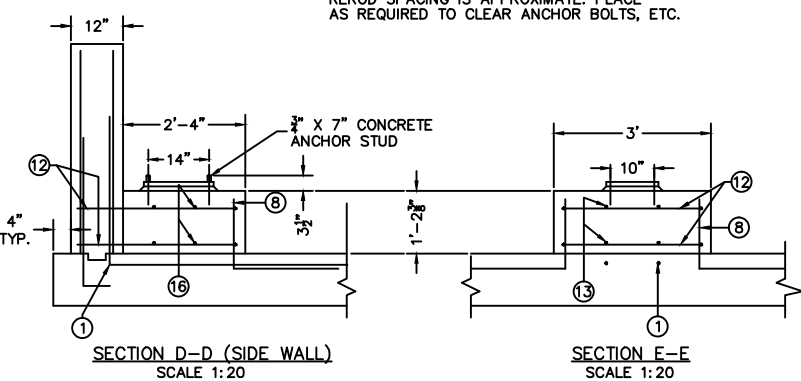
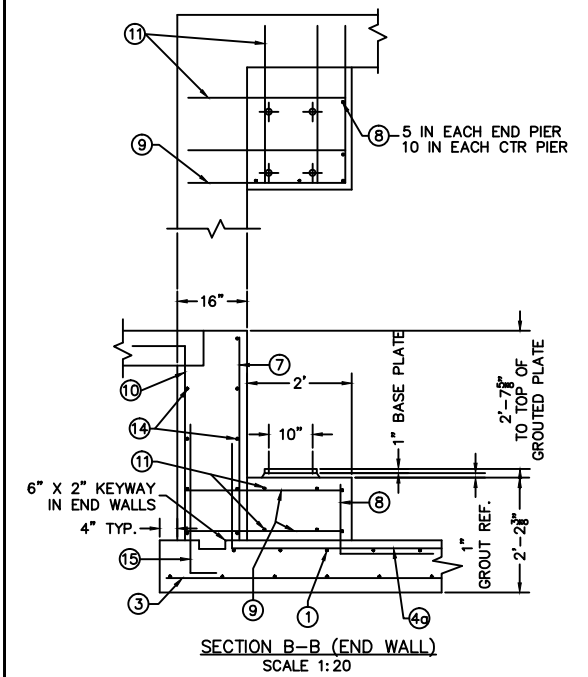
ITEM	QTY	SPACING	SIZE	LENGTH FT	IN.	TYPE	DESCRIPTION A	B	C	WEIGHT LBS
1	61	12	#6	16	02	3	10'-6"	2'-10"	2'-10"	1481
2	63	12	#5	12	04	1	12'-4"			810
3	39	12	#5	22	06	1	22'-6"			915
4	11	12	#6	21	11	1	21'-11"			362
4a	22	12	#6	23	11	2	21'-11"	2'-0"		790
5	60	12	#4	21	00	1	21'-0"			842
6	62	24	#4	3	10	1	3'-10"			159
7	148	12	#4	3	10	1	3'-10"			379
8	60	12	#6	3	02	2	2'-0"	1'-2"		285
9	8	12	#6	6	00	2	3'-0"	3'-0"		36
10	24	12	#4	4	09	2	3'-9"	1'-0"		76
11	32	12	#4	3	00	1	3'-0"			64
12	8	12	#6	8	09	3	2'-9"	3'-0"	3'-0"	106
13	16	12	#6	3	00	1	3'-0"			72
14	18	12	#4	11	10	1	11'-10"			142
15	148	12	#4	3	04	2	2'-10"	0'-6"		330
16	16	12	#4	2	09	1	2'-9"			30
TOTAL										6879

REBAR = 6879 LBS  
EXCAVATION = 150 CU. YDS.  
CONCRETE = 55 CU. YDS.

MIN OVERLAP 20" FOR ITEM 5  
MIN OVERLAP 26" FOR ITEM 3  
MIN OVERLAP 31" ON ITEMS 4 & 4a



PRELIMINARY NOT FOR CONSTRUCTION



ALL SHARP CORNERS AND EDGES TO BE BROKEN				EMERY WINSLOW SCALE COMPANY SEYMOUR, CT U.S.A. TERRE HAUTE, IN.	
UNLESS OTHERWISE SPECIFIED DIMENSIONS ARE IN INCHES				MODEL 44-10060-10 60' X 10', 100 TON & 1/4" SD FOUNDATION PLAN w/4" PIT	
LTR	REVISION	DATE	BY	DRAWN CEM	DATE 08/12/05
THIS DRAWING IS THE PROPERTY OF EMERY WINSLOW SCALE COMPANY SEYMOUR, CONNECTICUT. THE INFORMATION CONTAINED HEREIN IS CONFIDENTIAL AND IS NOT TO BE USED OR DISSEMINATED TO OTHERS WITHOUT THE EXPRESS WRITTEN CONSENT OF EMERY WINSLOW SCALE COMPANY.				CHECKED	DATE
				ACAD FILENAME:	T02004
				LAYERS USED:	ALL
				SCALE	FIRST USED ON DRAWING NO. D-71867
				REV.	

FULL SIZE PLOT D-24X36