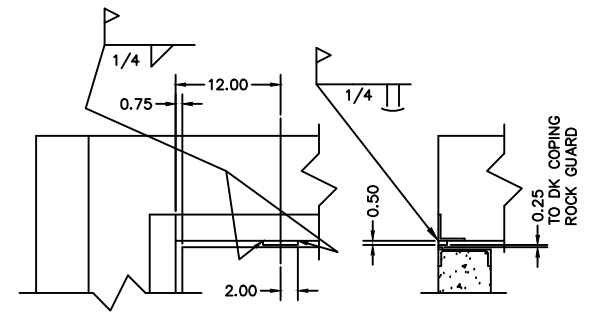


SECTION A-A

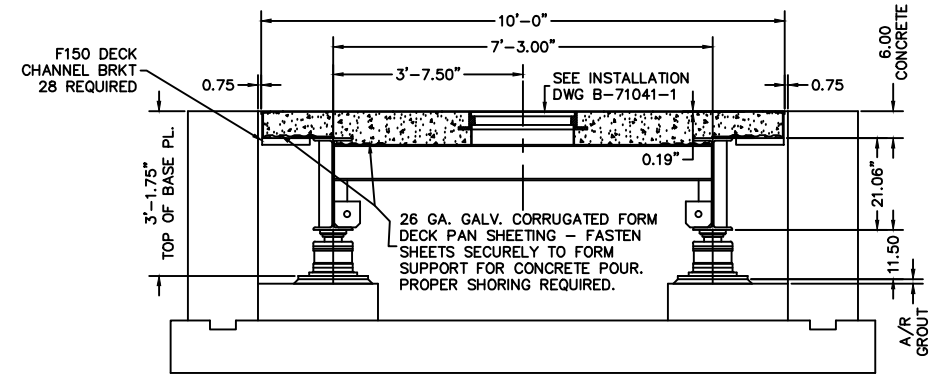
PRELIMINARY NOT FOR CONSTRUCTION. FOR ILLUSTRATION ONLY.

NOTES:

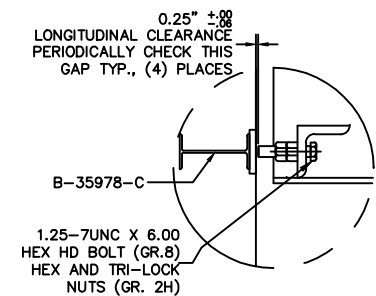
- REFERENCE INFORMATION:  
 FOUNDATION PLAN  
 PIPING DIAGRAM (4 SECTION)  
 DECK REINFORCING DETAIL  
 DECK CHANNEL INSTALLATION  
 APPROACH  
 LOAD CELL INSTALLATION INSTR.  
 NTEP NUMBER  
 CLC  
 LOADING AT EACH LOAD CELL  
 D-71861-A  
 B-33069-G  
 A5928 Line 4  
 D-9302B-G  
 D342-1  
 A-72143  
 92-086PA2  
 65,000  
 50,000 LB
- CRANE CAPACITY & INSTALLATION NOTES:  
 THE MINIMUM CAPACITY IS 3100 LB, LARGEST PIECE APPROXIMATELY 21' X 8' X 2'. SET TWO END BRIDGES FIRST, FOLLOWED BY THE CENTER BRIDGE SUCH THAT THE CENTER BRIDGE IS CONNECTED TO THE END BRIDGES BY THE FOUR (4) LOAD PLATES WITH CENTERING RINGS ET AL. ALIGN BRIDGES AND INSTALL SPLICE PLATES.  
 LIFT BRIDGES MADE FOR CONCRETE DECKS BY (4) LOOPS ON THE MAIN BEAMS.  
 LIFT BRIDGES MADE FOR STEEL DECKS BY THE STRINGERS.  
 INSTALL BRIDGE(S) BEFORE INSTALLING THE DECK.
- FOR COMMERCIAL SCALES CHECK WITH LOCAL WEIGHTS AND MEASURES OFFICIALS BEFORE STARTING CONSTRUCTION. NATIONAL BUREAU OF STANDARDS HANDBOOK 44 REQUIRES:  
 A.) A STRAIGHT APPROACH OF AT LEAST ONE-HALF THE LENGTH OF THE PLATFORM.  
 B.) NOT LESS THAN 10 FEET OF APPROACH ADJACENT TO THE PLATFORM TO BE CONSTRUCTED OF CONCRETE OR SIMILAR DURABLE MATERIAL AND BE LEVEL AND IN THE SAME PLANE AS THE PLATFORM.  
 FOR NON COMMERCIAL SCALES PROVIDE AN APPROACH OF 2 FEET MINIMUM LENGTH WHICH IS LEVEL AND IN THE SAME PLANE AS THE PLATFORM.
- CHECK WITH THE PROPER REGULATORY AUTHORITIES AS TO ANY SPECIAL STATE OR OTHER REGULATORY REQUIREMENTS REGARDING PIT DEPTHS. PIT CONSTRUCTION AND APPROACH DIMENSIONS WHICH MIGHT AFFECT INSTALLATION ARE SHOWN. EMERY WINSLOW WILL ASSUME NO RESPONSIBILITY FOR CHANGES NECESSITATED BY ANY STATE OR ANY OTHER REGULATORY REQUIREMENTS AS TO INSTALLATION OF OUR SCALES.



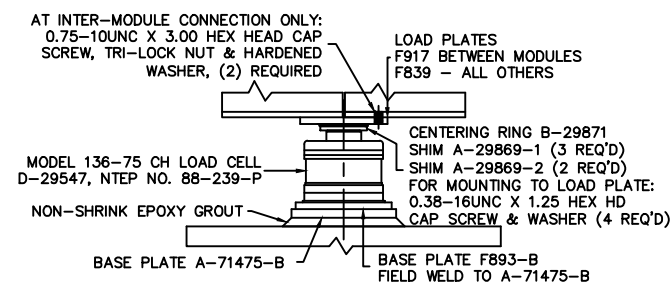
TYPICAL CORNER DETAIL SHOWING INSTALLATION OF TRANSVERSE CHECKING BUMPER PLATE A-73470-2 (0.50 X 1.00 X 4.00) (4) REQUIRED PER PLATFORM. SCALE 1:10



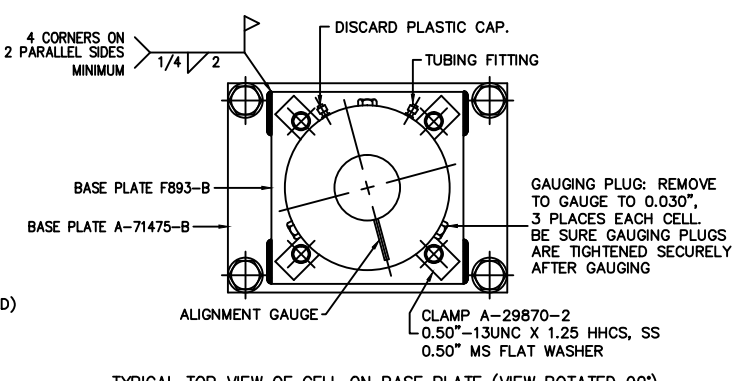
SECTION B-B SCALE 1:20



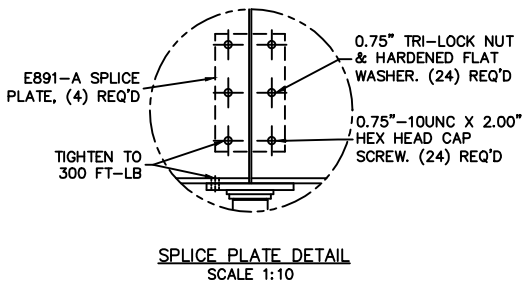
DETAIL OF LONGITUDINAL CHECK BOLT BUMPER (END WALL) SCALE 1:10



VIEW OF LOAD CELL INSTALLED AT WEIGHBRIDGE CONNECTION (SEE DWG A-72143) SCALE 1:10



TYPICAL TOP VIEW OF CELL ON BASE PLATE (VIEW ROTATED 90°) FIELD WELD BASE PLATE TO LOWER PLATE AFTER LOADCELL IS PROPERLY CENTERED WITH CENTERING RING SCALE 1:5



SPLICE PLATE DETAIL SCALE 1:10

ALL SHARP CORNERS AND EDGES TO BE BROKEN				EMERY WINSLOW SCALE COMPANY SEYMOUR, CT U.S.A. TERRE HAUTE, IN.	
UNLESS OTHERWISE SPECIFIED DIMENSIONS ARE IN INCHES				MODEL H44-10060-10 CD 60' X 10', 100 TON, 6" CD OUTLINE w/4' PIT	
A	COMPLETE UPDATE	08/11	CEM	MACHINING	FABRICATION
LTR	REVISION	DATE	BY	±.00 ±.01 ±.02	±.03
THIS DRAWING IS THE PROPERTY OF EMERY WINSLOW SCALE COMPANY SEYMOUR, CONNECTICUT. THE INFORMATION CONTAINED HEREIN IS CONFIDENTIAL AND IS NOT TO BE USED OR DISSEMINATED TO OTHERS WITHOUT THE EXPRESS WRITTEN CONSENT OF EMERY WINSLOW SCALE COMPANY.				DRAWN	CEM DATE 08/04/05
CHECKED DATE				SCALE	FIRST USED ON DRAWING NO.
ACAD FILENAME: T01997				1:30	D-71860
LAYERS USED: ALL				REV.	A

FULL SIZE PLOT D-24X36