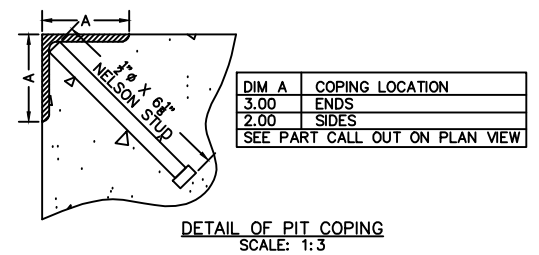


SECTION A-A

PRELIMINARY NOT FOR CONSTRUCTION. FOR ILLUSTRATION ONLY.

**NOTES:**  
 FOR COMMERCIAL SCALES CHECK WITH LOCAL WEIGHTS AND MEASURES OFFICIALS BEFORE STARTING CONSTRUCTION. NATIONAL BUREAU OF STANDARDS HANDBOOK 44 REQUIRES:  
 A.) A STRAIGHT APPROACH OF AT LEAST ONE-HALF THE LENGTH OF THE PLATFORM.  
 B.) NOT LESS THAN 10 FEET OF APPROACH ADJACENT TO THE PLATFORM TO BE CONSTRUCTED OF CONCRETE OR SIMILAR DURABLE MATERIAL AND BE LEVEL AND IN THE SAME PLANE AS THE PLATFORM.  
 FOR NON COMMERCIAL SCALES PROVIDE AN APPROACH OF 2 FEET MINIMUM LENGTH WHICH IS LEVEL AND IN THE SAME PLANE AS THE PLATFORM.  
 CHECK WITH THE PROPER REGULATORY AUTHORITIES AS TO ANY SPECIAL STATE OR OTHER REGULATORY REQUIREMENTS REGARDING PIT DEPTHS. PIT CONSTRUCTION AND APPROACH DIMENSIONS WHICH MIGHT AFFECT INSTALLATION ARE SHOWN. EMERY WINSLOW WILL ASSUME NO RESPONSIBILITY FOR CHANGES NECESSITATED BY ANY STATE OR ANY OTHER REGULATORY REQUIREMENTS AS TO INSTALLATION OF OUR SCALES.  
 EMERY WINSLOW SCALE COMPANY WILL NOT BE RESPONSIBLE FOR THE STABILITY OF THE FOUNDATION IF CONSTRUCTION IS NOT IN STRICT ACCORDANCE WITH THIS PLAN.  
 A SOIL BEARING CAPACITY OF 3500 POUNDS PER SQUARE FOOT (MINIMUM) IS REQUIRED. THE END USER SHALL BE RESPONSIBLE FOR DETERMINING WHETHER OR NOT SOIL CHARACTERISTICS MEET THIS REQUIREMENT.

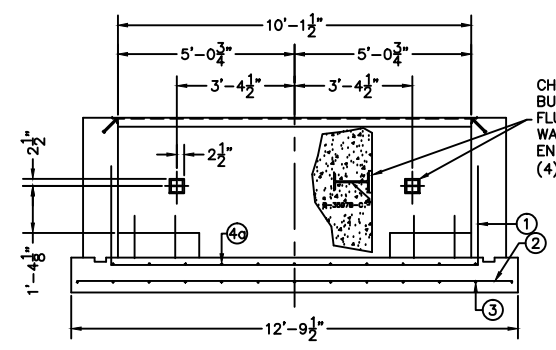


REINFORCING ROD SCHEDULE H44-10060									
ITEM	QTY	SPACING	SIZE	LENGTH FT	TYPE	DESCRIPTION A	B	C	WEIGHT LBS
1	61	12	#6	16.02	3	10'-6"	2'-10"	2'-10"	1481
2	63	12	#5	12.04	1	12'-4"			810
3	39	12	#5	22.06	1	22'-6"			915
4	11	12	#6	21.11	1	21'-11"			362
4a	22	12	#6	23.11	2	21'-11"	2'-0"		790
5	60	12	#4	21.00	1	21'-0"			842
6	62	24	#4	3.10	1	3'-10"			159
7	148	12	#4	3.10	1	3'-10"			379
8	60	12	#6	2.09	2	2'-0"	0'-9"		248
9	4	12	#6	6.00	2	3'-0"	3'-0"		36
10	24	12	#4	4.09	2	3'-9"	1'-0"		76
11	16	12	#4	3.00	1	3'-0"			32
12	4	12	#6	8.09	3	2'-9"	3'-0"	3'-0"	53
13	8	12	#6	3.00	1	3'-0"			36
14	18	12	#4	11.10	1	11'-10"			142
15	148	12	#4	3.04	2	2'-10"	0'-6"		330
16	8	12	#4	2.09	1	2'-9"			15
TOTAL									6706

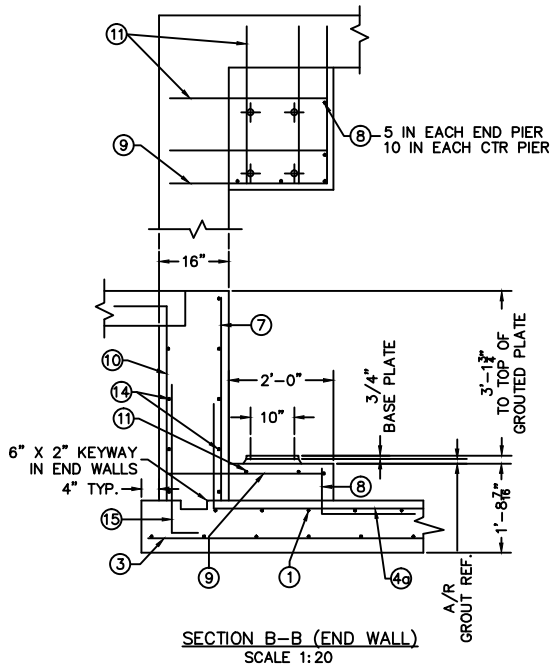
REBAR = 6706 LBS  
 EXCAVATION = 150 CU. YDS.  
 CONCRETE = 54 CU. YDS.

MIN OVERLAP 20" FOR ITEM 5  
 MIN OVERLAP 26" FOR ITEM 3  
 MIN OVERLAP 31" ON ITEMS 4 & 4a

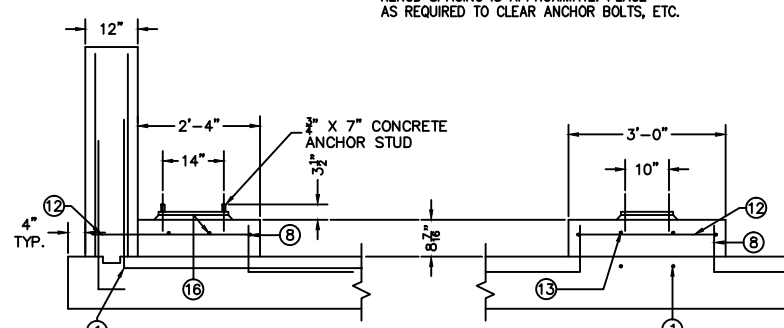
NOTE:  
 REBAR SPACING IS APPROXIMATE. PLACE AS REQUIRED TO CLEAR ANCHOR BOLTS, ETC.



INTERIOR VIEW OF END PIT WALL

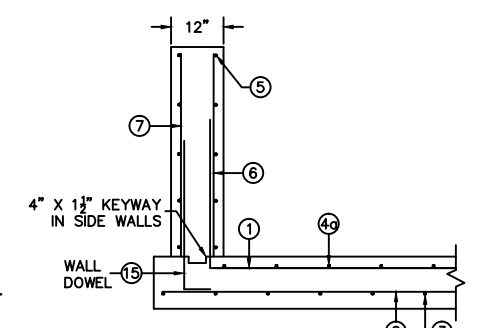


SECTION B-B (END WALL) SCALE 1:20



SECTION D-D (SIDE WALL) SCALE 1:20

SECTION E-E (SIDE WALL) SCALE 1:20



SECTION C-C (SIDE WALL) SCALE 1:20

ALL SHARP CORNERS AND EDGES TO BE BROKEN				EMERY WINSLOW SCALE COMPANY SEYMOUR, CT U.S.A. TERRE HAUTE, IN.			
UNLESS OTHERWISE SPECIFIED DIMENSIONS ARE IN INCHES				FOUNDATION PLAN w/4' PIT MODEL H44-10060-CD, 60' X 10'			
A	BASE PLATE WAS 1" THK NOW 3/4" THK, INTERIOR END VIEW BUMPERS UPDATED	08/11	CEM	MACHINING	FABRICATION		
LTR	REVISION	DATE	BY	±.00	±.03		
THIS DRAWING IS THE PROPERTY OF EMERY WINSLOW SCALE COMPANY SEYMOUR, CONNECTICUT. THE INFORMATION CONTAINED HEREIN IS CONFIDENTIAL AND IS NOT TO BE USED OR DISSEMINATED TO OTHERS WITHOUT THE EXPRESS WRITTEN CONSENT OF EMERY WINSLOW SCALE COMPANY.				DRAWN: CEM DATE: 08/04/05			
CHECKED: DATE:				SCALE: 1:30			
ACAD FILENAME: T01998				FIRST USED ON: D-71861			
LAYERS USED: ALL				REV. A			