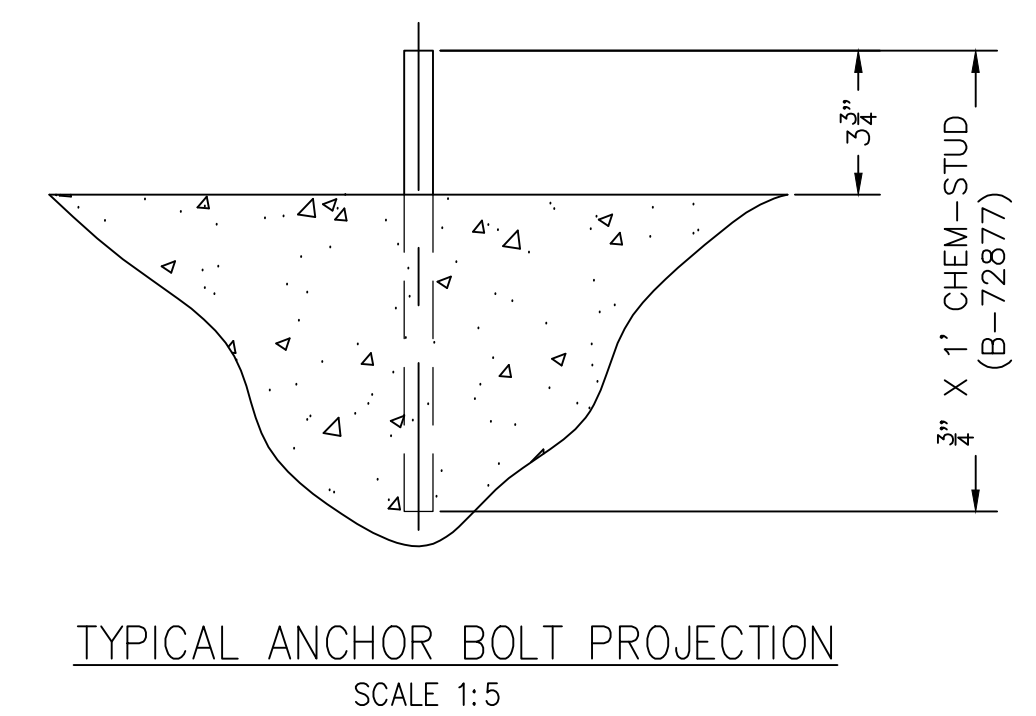
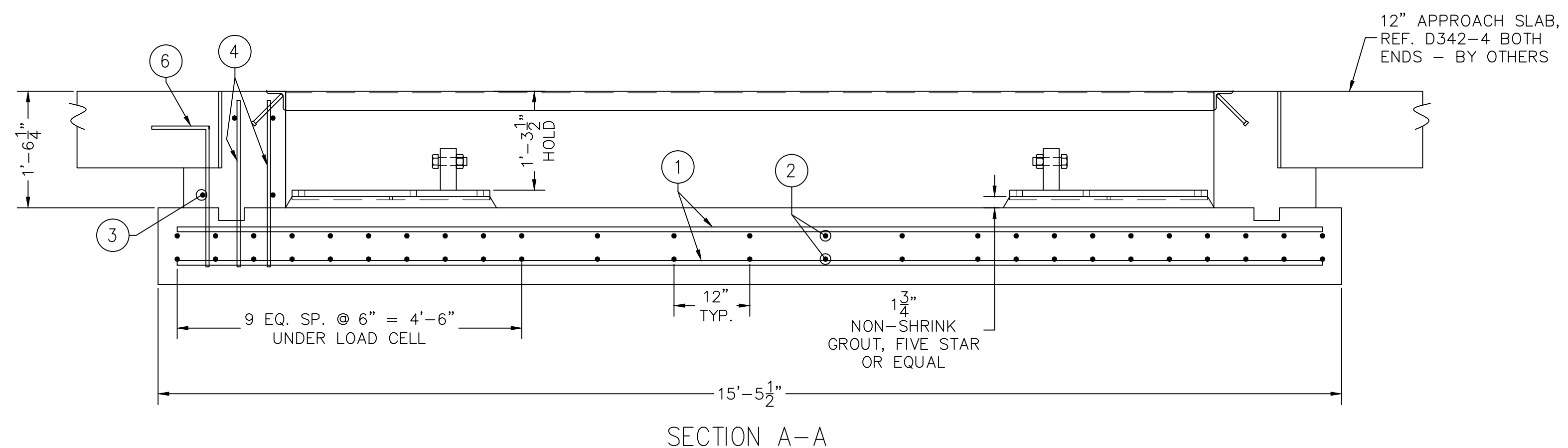
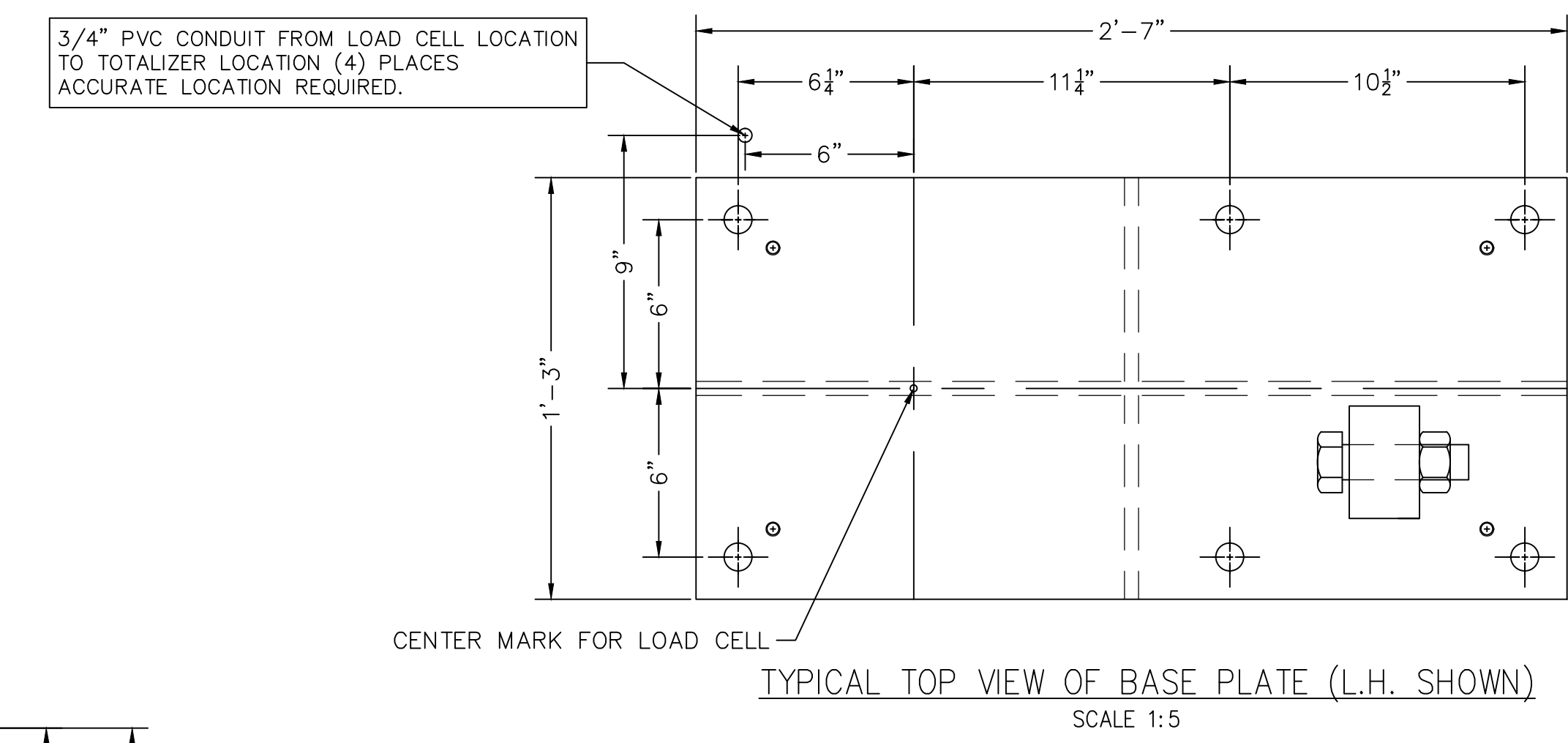
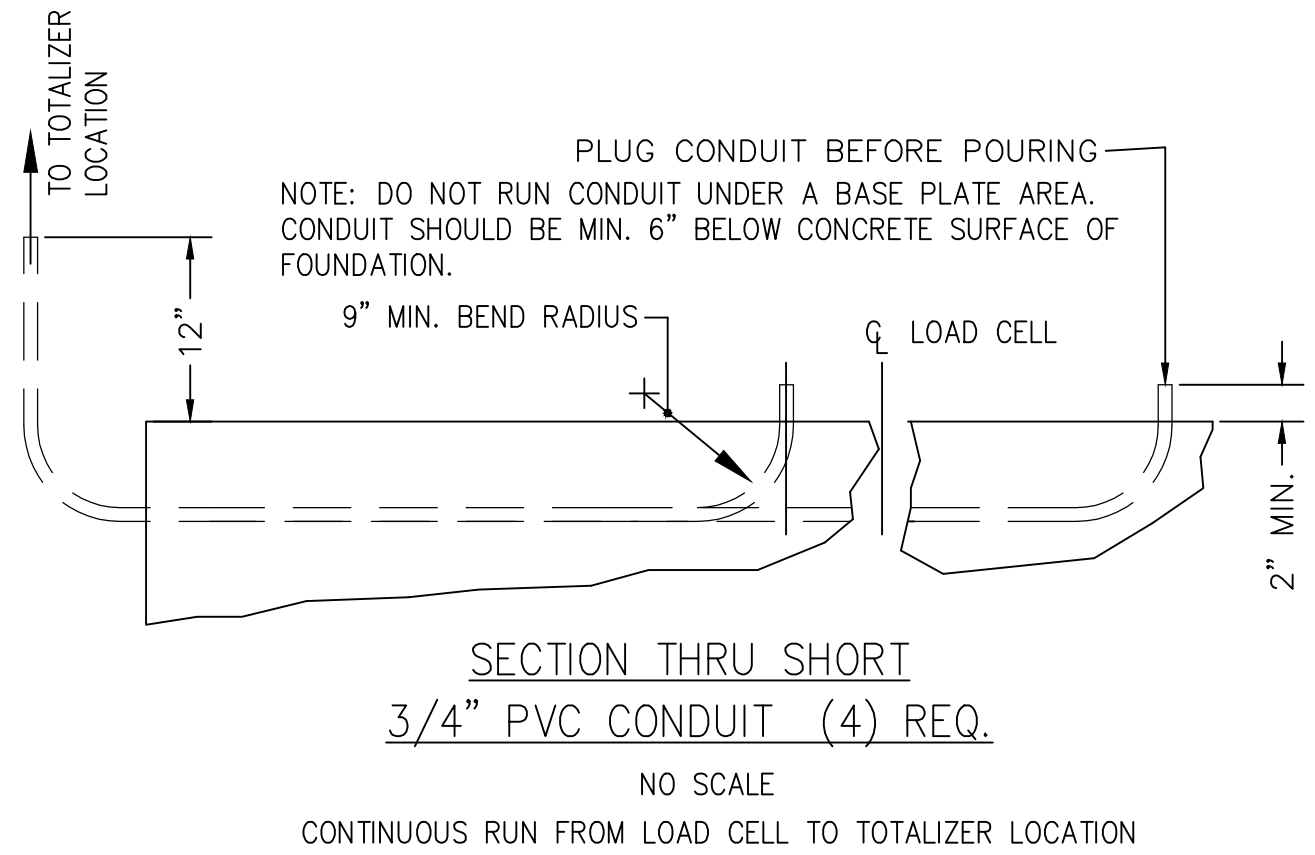
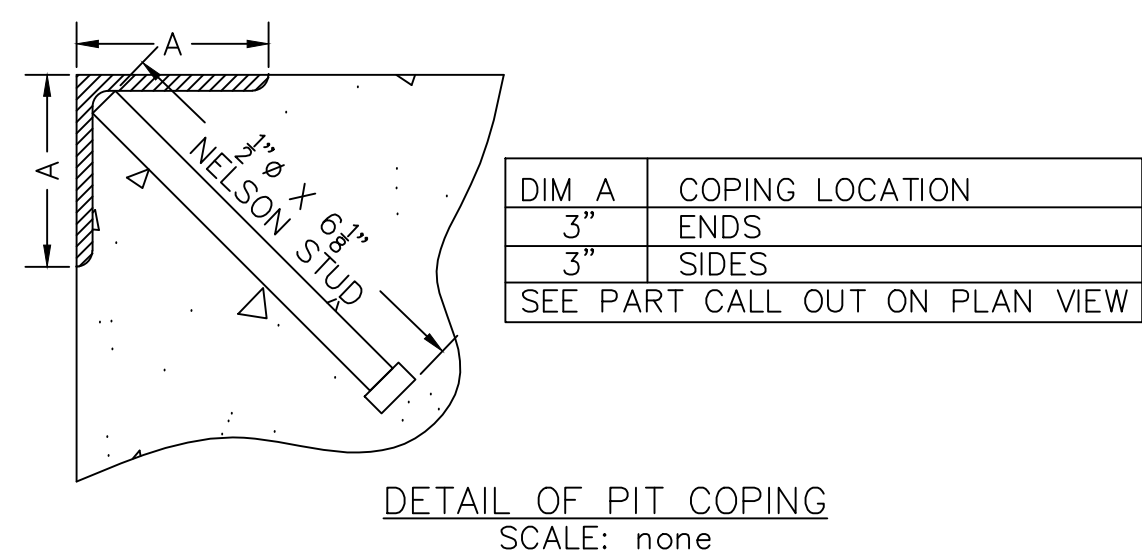


SEE NOTE 1 ON INSTALLATION DRAWING # D-36118 (FOR REFERENCE)



- NOTES:
- EMERY WINSLOW SCALES WILL OPERATE PROPERLY WHEN INSTALLED IN ACCORD WITH OUR STANDARD SPECIFICATIONS, AS NOTED BELOW. HOWEVER, THE PURCHASER IS CAUTIONED TO CHECK WITH THE PROPER STATE REGULATORY AUTHORITIES AS TO ANY SPECIAL STATE OR OTHER REGULATORY REQUIREMENTS REGARDING PIT DEPTHS, PIT CONSTRUCTION AND APPROACHES WHICH MIGHT AFFECT DIMENSIONS SHOWN. WINSLOW WILL ASSUME NO RESPONSIBILITY FOR CHANGES NECESSITATED BY ANY OTHER REGULATORY REQUIREMENTS AS TO INSTALLATION OF OUR SCALES.
  - EMERY WINSLOW SCALE COMPANY WILL NOT BE RESPONSIBLE FOR THE STABILITY OF THE FOUNDATION IF CONSTRUCTION IS NOT IN STRICT ACCORDANCE WITH THIS PLAN.
  - HOLD ALL REINFORCING STEEL TO WITHIN 1-1/2" FROM FACE OF CONCRETE, EXCEPT FOR BOTTOM BAR IN 12" FLOOR SLAB (3" COVER FOR CONCRETE EXPOSED TO GROUND).
  - ALL REINFORCING STEEL SHALL BE PLACED IN ACCORDANCE WITH CRSI CODE AND SHALL BE PROPERLY TIED TO REMAIN IN PLACE DURING CONCRETE POURING.
  - THE SCALE PIT SHALL REMAIN DRY AT ALL TIMES AND ADEQUATE DRAINAGE SHALL BE PROVIDED FOR THE PURPOSE OF INSPECTION AND CLEANING. IN CASE A DRAIN CAN NOT BE USED AND A SUMP PUMP IS USED, IT MUST BE AUTOMATIC. FLOOR OF PIT MUST SLOPE TOWARD DRAIN OR SUMP INLET. DRAIN SHOULD BE 4" MINIMUM WITH GRATE COVER.
  - CONCRETE STRENGTH: 4,000 PSI @ 28 DAYS
  - REINFORCING ROD: GRADE 60, 60,000 PSI, ASTM A615
  - SOIL BEARING IS ASSUMED TO BE 2,000 LB/SQ FT. TO BE VERIFIED IN THE FIELD BY END USER.
  - SLAB TO BE FLAT WITHIN 0.25" AND LEVEL WITHIN 0.13" PER 10 FT.
  - APPROACH COPING(BULKHEAD) TO BE ON A COMMON PLANE WITHIN 0.25".
  - TOP OF REBAR MUST BE PLACED TO CLEAR THE ANCHOR BOLTS.
  - ANCHOR BOLTS ARE TO BE INSTALLED AFTER FOUNDATION HAS CURED.
  - SEE SPEC. A499-364-1 FOR ON SITE SUBSURFACE CONDITIONS.
  - IT IS CRITICAL THAT THE BASE PLATES BE PRECISELY LOCATED AND ALIGNED AS SHOWN ON THIS DRAWING, BECAUSE OF THE NEED FOR THE CHECK BOLTS BRACKETS TO LINE UP AS REQUIRED INSIDE THE NEST.

MATERIAL REQUIREMENTS		TOTAL WT. OF REBAR				1862
CONCRETE: FOUNDATION	11 CU YD	6	24	4	2'-7"	41
		5	8	4	14'-4"	77
		4	64	4	2'-2" (TIED TO 1,2,3,5 @ 2' O.C.)	93
		3	8	6	11'-7"	139
REINFORCING: REBAR	1862	2	50	6	12'-4"	926
		1	26	6	15'-0"	586
PIECE NO.	QTY	BAR SIZE	LENGTH & DESCRIPTION	WT.		



ALL SHARP CORNERS AND EDGES TO BE BROKEN				EMERY WINSLOW SCALE COMPANY			
UNLESS OTHERWISE SPECIFIED DIMENSIONS ARE IN INCHES				SEYMOUR, CT U.S.A. TERRE HAUTE, IN.			
B	DIM 5'-4" WAS 5'-3.75"	05/19	CEM	MODEL H82-4012-10QC			
A	NOTE 12 & TOLERANCES TO TOP VIEW ADDED 06/10	SRS		12' X 10', 40 TON; ROADWEIGH II			
LTR	REVISION	DATE	BY	SP FOUNDATION/ANCHOR BOLT LAYOUT			
THIS DRAWING IS THE PROPERTY OF EMERY WINSLOW SCALE COMPANY SEMOUR, CONNECTICUT. THE INFORMATION CONTAINED HEREIN IS CONFIDENTIAL AND IS NOT TO BE USED OR DISSEMINATED TO OTHERS WITHOUT THE EXPRESS WRITTEN CONSENT OF EMERY WINSLOW SCALE COMPANY.				CHECKED	DATE	12/31/09	
				ACAD FILENAME:	T03354	SCALE	FIRST USED ON
				LAYERS USED:	ALL	1:15	DRAWING NO.
							D-73208
							REV. B

FULL SIZE PLOT D-24X36