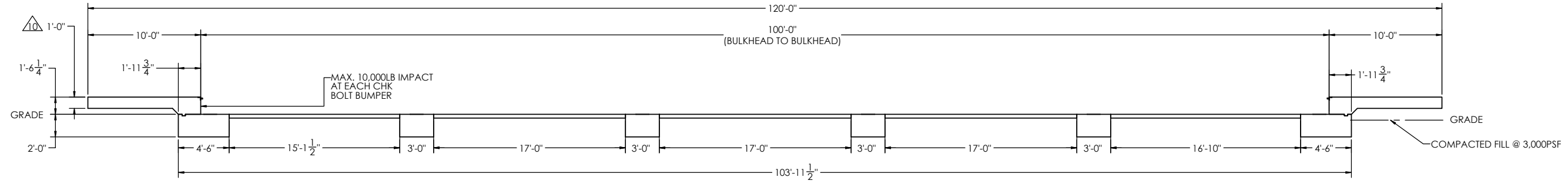
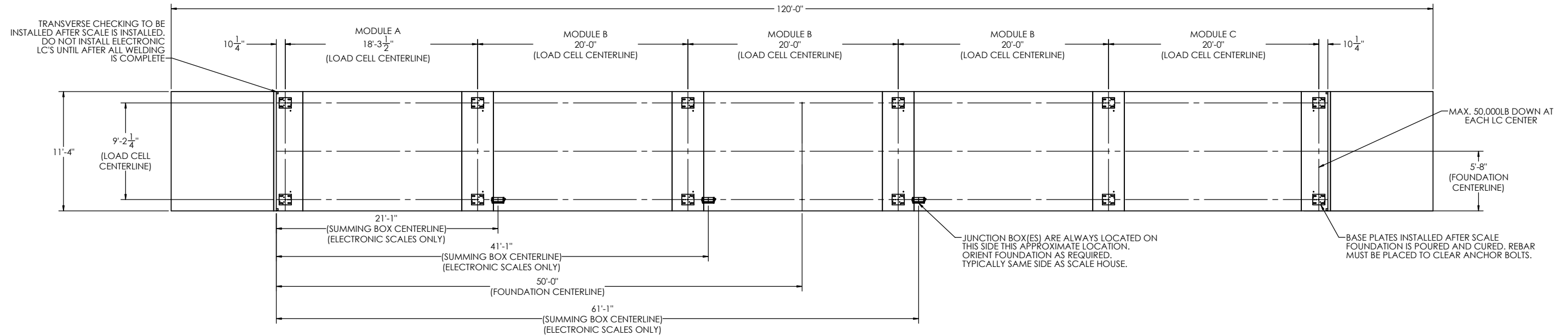


DETAILS

REVISION		INIT	DATE
REV.	ECO	DESCRIPTION	
A		ENGINEERING RELEASE	SPJ 03/08/2021



FOR NON COMMERCIAL SCALES PROVIDE AN APPROACH OF 2 FEET MINIMUM LENGTH WHICH IS LEVEL AND IN THE SAME PLANE AS THE PLATFORM.

FOR COMMERCIAL SCALES CHECK WITH LOCAL WEIGHTS AND MEASURES OFFICIALS BEFORE STARTING CONSTRUCTIONS. NATIONAL INSTITUTE OF STANDARDS AND TECHNOLOGY (NIST) HANDBOOK H44 REQUIRES:
 A) A STRAIGHT APPROACH OF AT LEAST ONE-HALF THE LENGTH OF THE PLATFORM.
 B) NOT LESS THAN 10 FEET OF APPROACH ADJACENT TO THE PLATFORM TO BE CONSTRUCTED OF CONCRETE OR SIMILAR DURABLE MATERIAL AND TO BE LEVEL AND IN THE SAME PLANE AS THE PLATFORM.

NOTES:
 1. CONCRETE STRENGTH: f'c = 4000 PSI @ 28 DAYS
 REINFORCING ROD: Fy = 60,000 PSI, ASTM A615 GRADE 60
 ALL CONCRETE WORK TO BE DONE PER CRSI CODE
 ALL FOUNDATION MATERIAL AND LABOR BY OTHERS
 ALWAYS WORK FROM CERTIFIED DRAWINGS

2. PIERS AS SHOWN ARE SIZED FOR 3,000 LB/SQ.FT. THE END USER SHALL BE RESPONSIBLE FOR DETERMINING WHETHER OR NOT SOIL CHARACTERISTICS MEET THE REQUIREMENT.

3. THE CONCRETE AND REBAR SPECIFICATIONS SHOWN ARE FOR A NATIONWIDE RANGE OF CONDITIONS AND MAY NEED MODIFICATION FOR LOCAL CONDITIONS. EMERY WINSLOW SCALE WILL NOT BE RESPONSIBLE FOR ANY CHANGES NECESSITATED BY ANY REGULATORY AUTHORITIES OR LOCAL SITE CONDITIONS.

4. APPROACH COPING (BULKHEAD) TO BE ON A COMMON PLANE WITHIN 1/4".

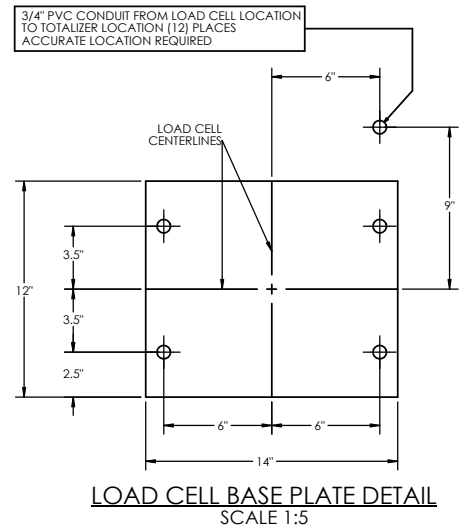
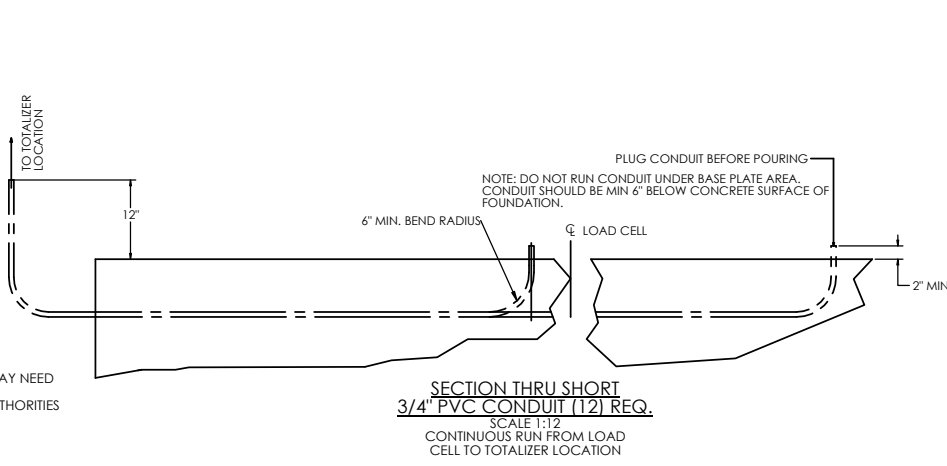
5. TOP OF REBAR MUST BE PLACED TO CLEAR ANCHOR BOLTS. ANCHOR BOLTS ARE TO BE INSTALLED AFTER FOUNDATION HAS CURED.

6. PIERS MUST BE INSTALLED WITH EXTREME CARE AND MUST NOT BE ALLOWED TO SHIFT.

7. THESE PLANS ARE NOT SUITABLE WHERE SOIL MIGRATION IN AN ISSUE. SOIL MUST BE STABLE AND NOT SUBJECT TO FLOODING OR OTHER POSSIBLE CAUSES OF SOIL MIGRATION THAT MAY RESULT IN SHIFTING OF THE PIERS.

8. BASE PLATES ARE NOT GROUDED. IF GROUING IS REQUIRED ADD GROUT THICKNESS TO APPROACH DEPTH SHOWN.

9. THERE ARE (2) ANCHOR BOLTS PER BASE PLATE. THEY SHOULD BE PLACED DIAGONALLY FROM EACH OTHER.
 APPROACH THICKNESS MAY BE 10" MINIMUM WHERE ALLOWED BY STATE REGULATIONS

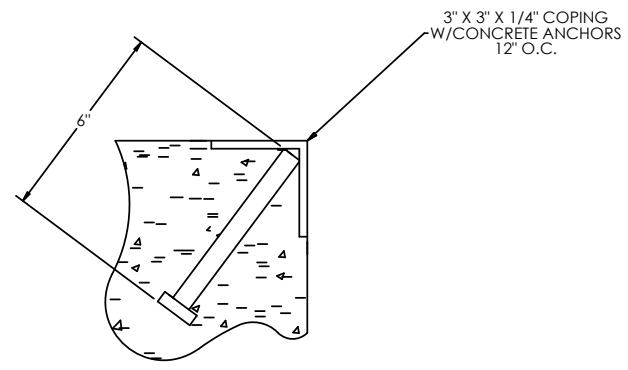


PRELIMINARY NOT FOR CONSTRUCTION FOR ILLUSTRATION ONLY

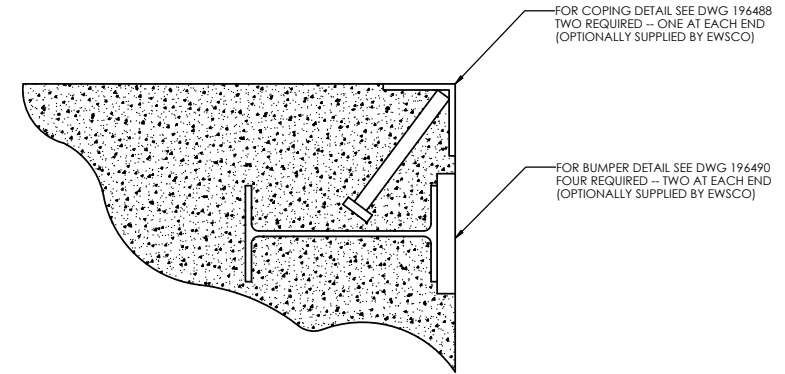
ALL SHARP CORNERS AND EDGES TO BE BROKEN		EMERY WINSLOW SCALE COMPANY SEYMOUR, CT. U.S.A. TERRE HAUTE, IN.	
UNLESS OTHERWISE SPECIFIED DIMENSIONS ARE IN INCHES		FOUNDATION, CONCRETE PIER 100' X 11'. STEEL DECK	
MACHINING	FABRICATION	SCALE	FIRST USED ON
XX: ±0.1	XX: ±13	1:60	
XXX: ±0.05		DRAWING NO.	REV.
		205653	A
THIS DRAWING IS THE PROPERTY OF EMERY WINSLOW SCALE COMPANY SEYMOUR, CONNECTICUT. THE INFORMATION CONTAINED HEREIN IS CONFIDENTIAL AND IS NOT TO BE USED OR DISSEMINATED TO OTHERS WITHOUT THE EXPRESS WRITTEN CONSENT OF EMERY WINSLOW SCALE COMPANY.		DRAWN: S. JOHNSON DATE: 03/19/2021 CHECKED: DATE: ACAD FILENAME: LAYERS USED:	

CONCRETE LAYOUT

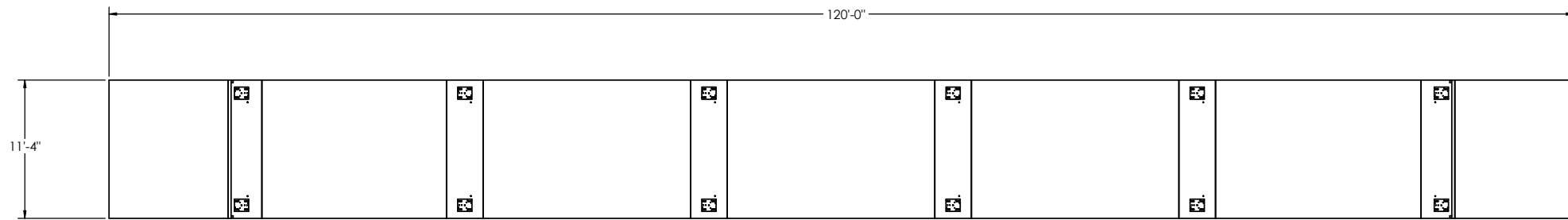
CONCRETE SCHEDULE		VOLUME (CUBIC YARDS)	
APPROACHES		9.4	
CLEANOUT		11.7	
PIERS		17.6	
TOTAL		78.7	
MISC. STEEL			
PIT COPING	3 X 3 X 1/4	23 LN .FT	113 LBS



DETAIL C



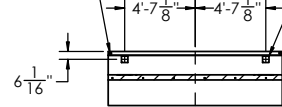
DETAIL OF BULKHEAD INSTALLATION
NO SCALE



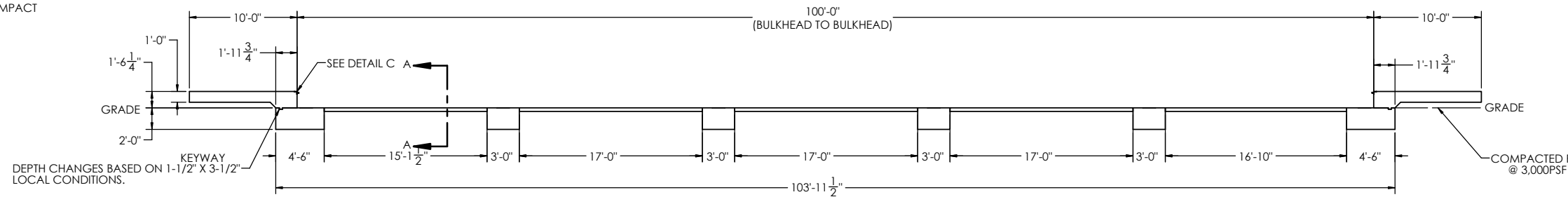
**PRELIMINARY NOT FOR
CONSTRUCTION FOR
ILLUSTRATION ONLY**

TRANSVERSE CHECKING TO BE INSTALLED AFTER SCALE IS INSTALLED. DO NOT INSTALL ELECTRONIC LC'S UNTIL AFTER ALL WELDING IS COMPLETE

MAX. 10,000LB IMPACT AT EACH CHK BOLT BUMPER



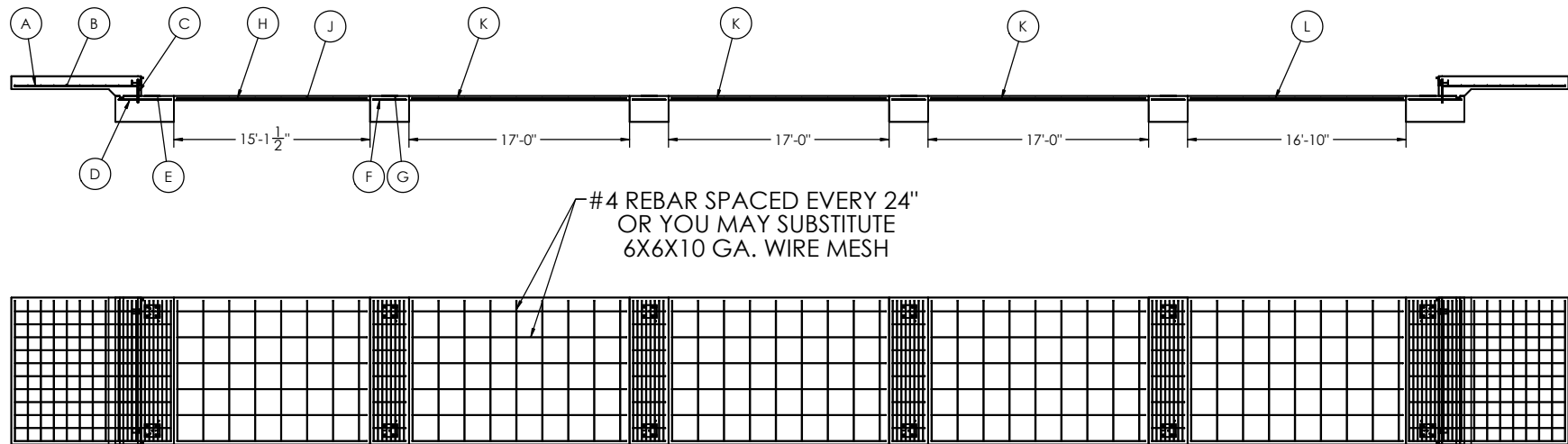
SECTION A-A



LTR		DATE	BY	ALL SHARP CORNERS AND EDGES TO BE BROKEN	EMERY WINSLOW SCALE COMPANY SEYMOUR, CT. U.S.A. TERRE HAUTE, IN.
THIS DRAWING IS THE PROPERTY OF EMERY WINSLOW SCALE COMPANY SEYMOUR, CONNECTICUT. THE INFORMATION CONTAINED HEREIN IS CONFIDENTIAL AND IS NOT TO BE USED OR DISSEMINATED TO OTHERS WITHOUT THE EXPRESS WRITTEN CONSENT OF EMERY WINSLOW SCALE COMPANY.		DATE	BY	UNLESS OTHERWISE SPECIFIED DIMENSIONS ARE IN INCHES MACHINING .XX: ±.01 .XXX: ±.005 FABRICATION .XX: ±.13 .XXX: ±.005	
DRAWN: S. JOHNSON DATE: 03/19/2021				FOUNDATION, CONCRETE PIER 100' X 11' STEEL DECK	
CHECKED: DATE:				SCALE	FIRST USED ON
ACAD FILENAME:				1:75	DRAWING NO.
LAYERS USED:				205653	REV.
					A

REBAR LAYOUT

MATERIAL REQUIREMENTS				
REBAR SCHEDULE				
BAL. NO.	QUANTITY	LENGTH (FT.-IN.)	DESCRIPTION	WEIGHT
A	22	9' 6"	# 4 @ 12 O.C.	140
B	20	10' 10"	# 4 @ 12 O.C.	145
C	22	1' 9 1/4"	# 4 @ 12 O.C.	26
D	22	4' 0"	# 4 @ 12 O.C.	59
E	26	10' 10"	# 4 @ 4 O.C.	188
F	44	2' 6"	# 4 @ 12 O.C.	73
G	32	10' 10"	# 4 @ 4 O.C.	232
CLEANOUT SCHEDULE				
H	6	14' 7 1/2"	# 4 @ 24 O.C.	59
J	44	10' 10"	# 4 @ 24 O.C.	318
K	18	17' 0"	# 4 @ 24 O.C.	204
L	6	16' 10"	# 4 @ 24 O.C.	67
TOTAL WEIGHT OF REBAR (LBS.)				1511
TOTAL LENGTH OF REBAR (FT.)				2262
WIRE MESH	6 X 6-10 GA.		747 SQ FT	

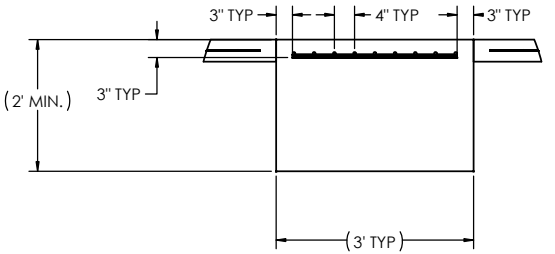
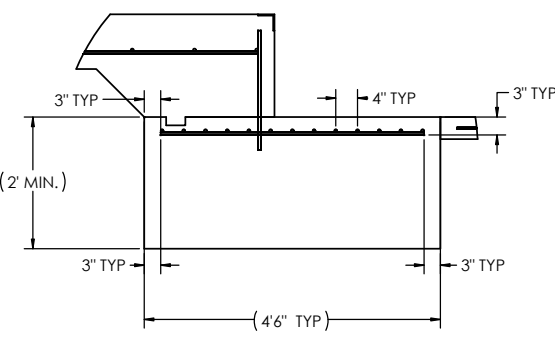
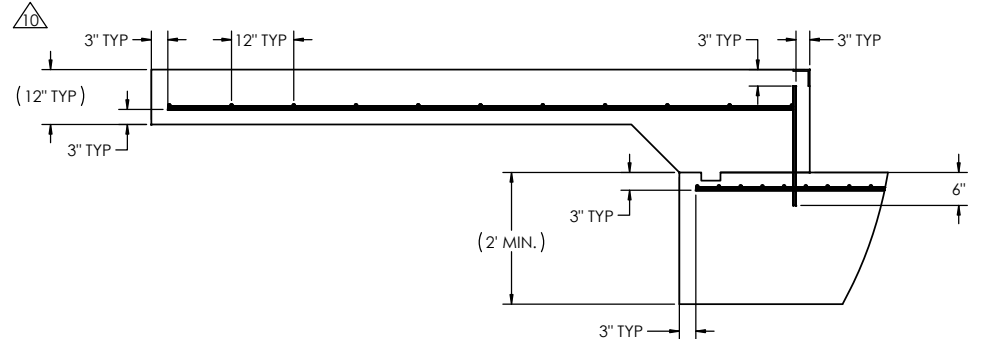


APPROACH STANDARD VIEW

REBAR SPACING LENGTH

REBAR SPACING WIDTH

NOTES: 1) LEFT AND RIGHT APPROACHES ARE MIRROR IMAGES OF EACH OTHER AND CONTAIN AN IDENTICAL PART LIST



PRELIMINARY NOT FOR CONSTRUCTION FOR ILLUSTRATION ONLY

LTR		DATE	BY	ALL SHARP CORNERS AND EDGES TO BE BROKEN	EMERY WINSLOW SCALE COMPANY SEYMOUR, CT. U.S.A. TERRE HAUTE, IN.
THIS DRAWING IS THE PROPERTY OF EMERY WINSLOW SCALE COMPANY SEYMOUR, CONNECTICUT. THE INFORMATION CONTAINED HEREIN IS CONFIDENTIAL AND IS NOT TO BE USED OR DISSEMINATED TO OTHERS WITHOUT THE EXPRESS WRITTEN CONSENT OF EMERY WINSLOW SCALE COMPANY.		DATE	BY	UNLESS OTHERWISE SPECIFIED DIMENSIONS ARE IN INCHES MACHINING .XX: ±.01 FABRICATION .XXX: ±.005	
DRAWN: S. JOHNSON		DATE: 03/19/2021	CHECKED: DATE:		FOUNDATION, CONCRETE PIER 100' X 11'. STEEL DECK
ACAD FILENAME:		LAYERS USED:		SCALE 1:80	FIRST USED ON
DRAWING NO. 205653		REV. A			