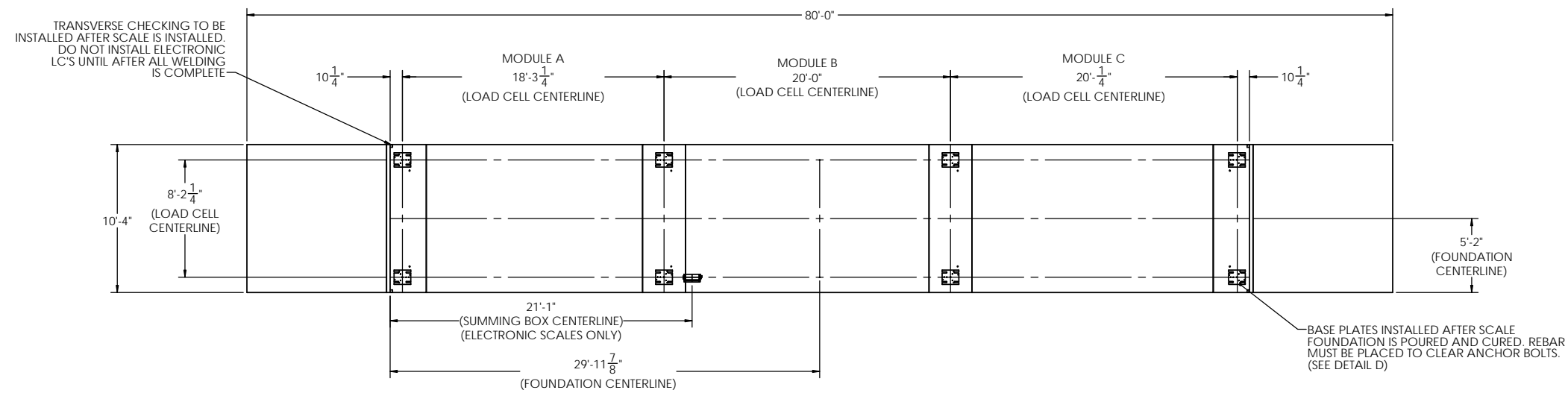
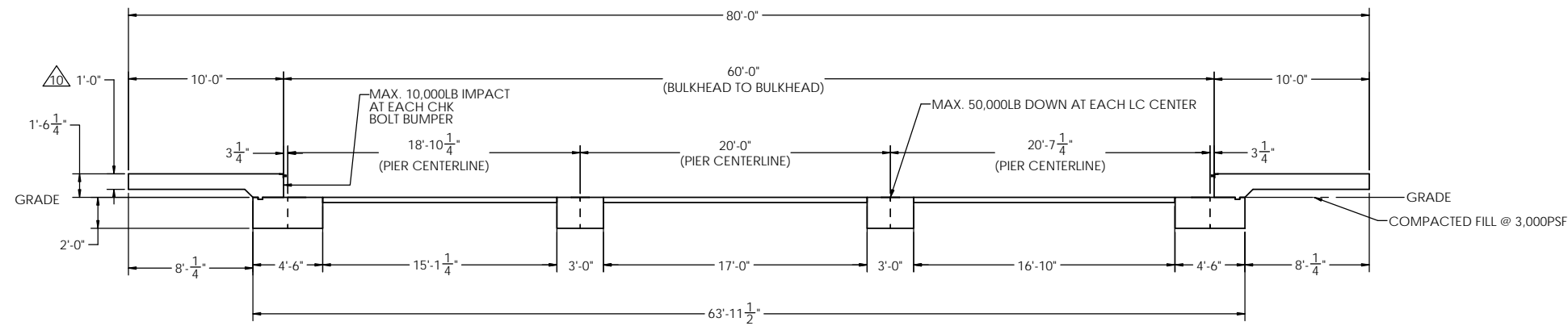


DETAILS

REV.	ECO	REVISION DESCRIPTION	INIT	DATE
A	-	ENGINEERING RELEASE	SPJ	07/18/2019



PRELIMINARY NOT FOR CONSTRUCTION FOR ILLUSTRATION ONLY



FOR NON COMMERCIAL SCALES PROVIDE AN APPROACH OF 2 FEET MINIMUM LENGTH WHICH IS LEVEL AND IN THE SAME PLANE AS THE PLATFORM.

FOR COMMERCIAL SCALES CHECK WITH LOCAL WEIGHTS AND MEASURES OFFICIALS BEFORE STARTING CONSTRUCTIONS. NATIONAL INSTITUTE OF STANDARDS AND TECHNOLOGY (NIST) HANDBOOK H44 REQUIRES:

- A) A STRAIGHT APPROACH OF AT LEAST ONE-HALF THE LENGTH OF THE PLATFORM
- B) NOT LESS THAN 10 FEET OF APPROACH ADJECENT TO THE PLATFORM TO BE CONSTRUCTED OF CONCRETE OR SIMILAR DURABLE MATERIAL AND TO BE LEVEL AND IN THE SAME PLANE AS THE PLATFORM.

NOTES:

1. CONCRETE STRENGTH: $f_c = 4000$ PSI @ 28 DAYS
 REINFORCING ROD: $F_y = 60,000$ PSI, ASTM A615 GRADE 60
 ALL CONCRETE WORK TO BE DONE PER CRSI CODE
 ALL FOUNDATION MATERIAL AND LABOR BY OTHERS
 ALWAYS WORK FROM CERTIFIED DRAWINGS

2. PIERS AS SHOWN ARE SIZED FOR 3,000 LB/SQ.FT. THE END USER SHALL BE RESPONSIBLE FOR DETERMINING WHETHER OR NOT SOIL CHARACTERISTICS MEET THE REQUIREMENT.

3. THE CONCRETE AND REBAR SPECIFICATIONS SHOWN ARE FOR A NATIONWIDE RANGE OF CONDITIONS AND MAY NEED MODIFICATION FOR LOCAL CONDITIONS. EMERY WINSLOW SCALE WILL NOT BE RESPONSIBLE FOR ANY CHANGES NECESSITATED BY ANY REGULATORY AUTHORITIES OR LOCAL SITE CONDITIONS.

4. APPROACH COPING (BULKHEAD) TO BE ON A COMMON PLANE WITHIN 1/4".

5. TOP OF REBAR MUST BE PLACED TO CLEAR ANCHOR BOLTS. ANCHOR BOLTS ARE TO BE INSTALLED AFTER FOUNDATION HAS CURED.

6. PIERS MUST BE INSTALLED WITH EXTREME CARE AND MUST NOT BE ALLOWED TO SHIFT.

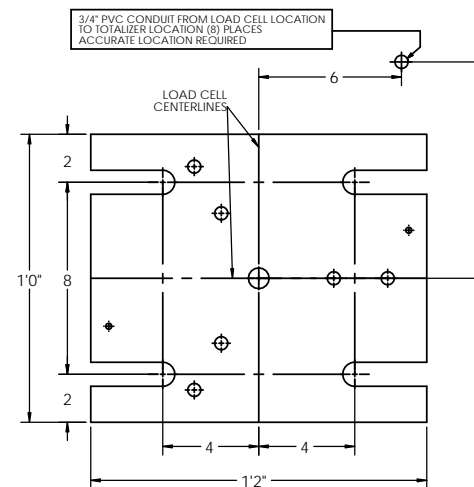
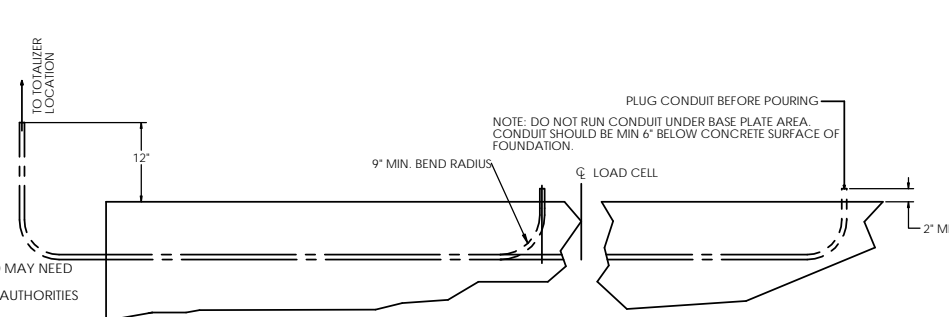
7. THESE PLANS ARE NOT SUITABLE WHERE SOIL MIGRATION IN AN ISSUE. SOIL MUST BE STABLE AND NOT SUBJECT TO FLOODING OR OTHER POSSIBLE CAUSES OF SOIL MIGRATION THAT MAY RESULT IN SHIFTING OF THE PIERS.

8. BASE PLATES ARE NOT GROUTED. IF GROUTING IS REQUIRED ADD GROUT THICKNESS TO APPROACH DEPTH SHOWN.

9. THERE ARE (2) ANCHOR BOLTS PER BASE PLATE. THEY SHOULD BE PLACED DIAGONALLY FROM EACH OTHER.

10. APPROACH THICKNESS MAY BE 10" MINIMUM WHERE ALLOWED BY STATE REGULATIONS

11. REFER TO ASSEMBLY DRAWING FOR BASE PLATE ORIENTATION.



ALL SHARP CORNERS AND EDGES TO BE BROKEN		EMERY WINSLOW SCALE COMPANY	
UNLESS OTHERWISE SPECIFIED DIMENSIONS ARE IN INCHES		SEYMOUR, CT. U.S.A. TERRE HAUTE, IN.	
MACHINING	FABRICATION	FOUNDATION, CONCRETE PIER, 60' X 10', STEEL DECK	
XX: ±.01	XX: ±.13	SCALE	FIRST USED ON
XXX: ±.005		1:60	196531
DATE	DATE	DRAWING NO.	REV.
DATE	DATE		A
ACAD FILENAME:	LAYERS USED:		

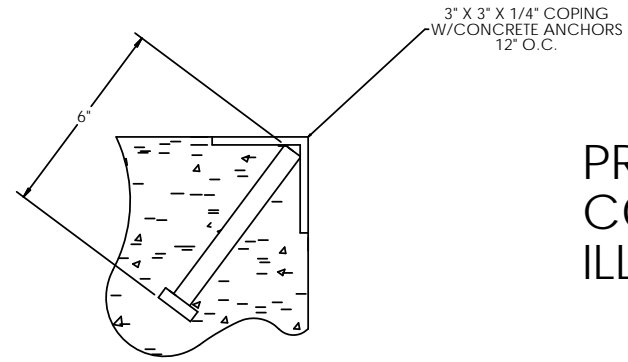
THIS DRAWING IS THE PROPERTY OF EMERY WINSLOW SCALE COMPANY SEYMOUR, CONNECTICUT. THE INFORMATION CONTAINED HEREIN IS CONFIDENTIAL AND IS NOT TO BE USED OR DISSEMINATED TO OTHERS WITHOUT THE EXPRESS WRITTEN CONSENT OF EMERY WINSLOW SCALE COMPANY.

DRAWN: S. JOHNSON DATE: 07/19/2019
 CHECKED: DATE:
 LTR DATE BY

CONCRETE LAYOUT

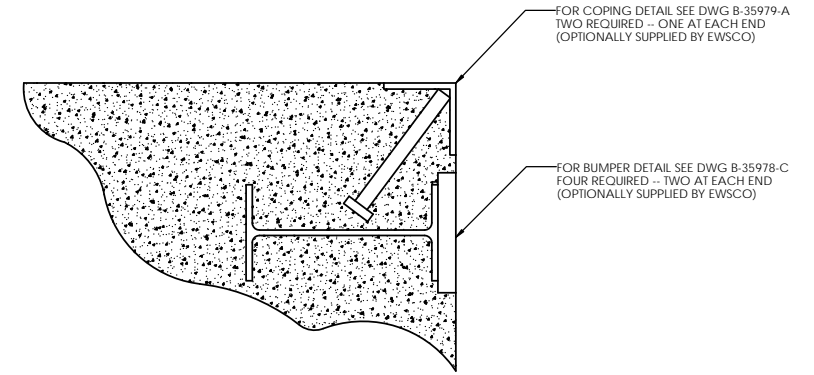
CONCRETE SCHEDULE			
	VOLUME (CUBIC YARDS)		
APPROACHES	8.6		
CLEANOUT	6.3		
PIERS	11.5		
TOTAL	26.3		
MISC. STEEL			
PIT COPING	3 X 3 X 1/4	21 LN. FT	103 LBS

VOLUME SHOWN FOR STATED PIER DEPTH.
ADD ADDITIONAL CONCRETE FOR
DEEPER PIERS AS NEEDED.

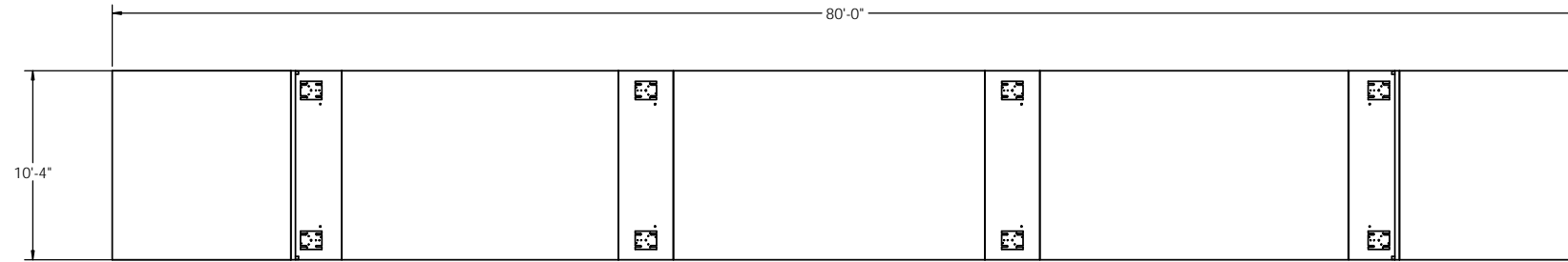


DETAIL C

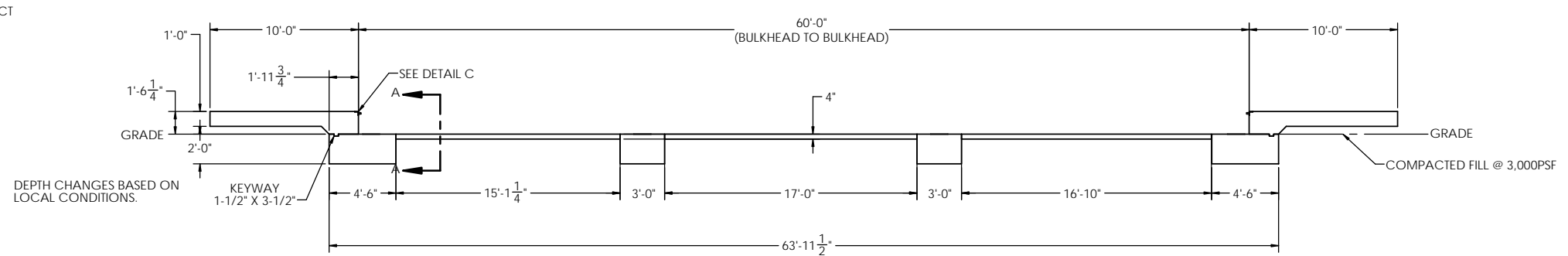
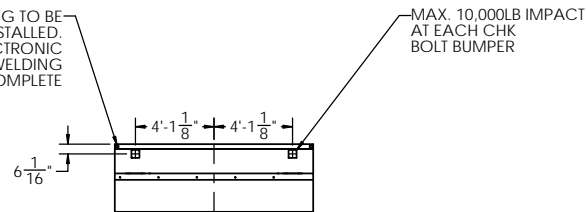
PRELIMINARY NOT FOR
CONSTRUCTION FOR
ILLUSTRATION ONLY



DETAIL OF BULKHEAD INSTALLATION
NO SCALE



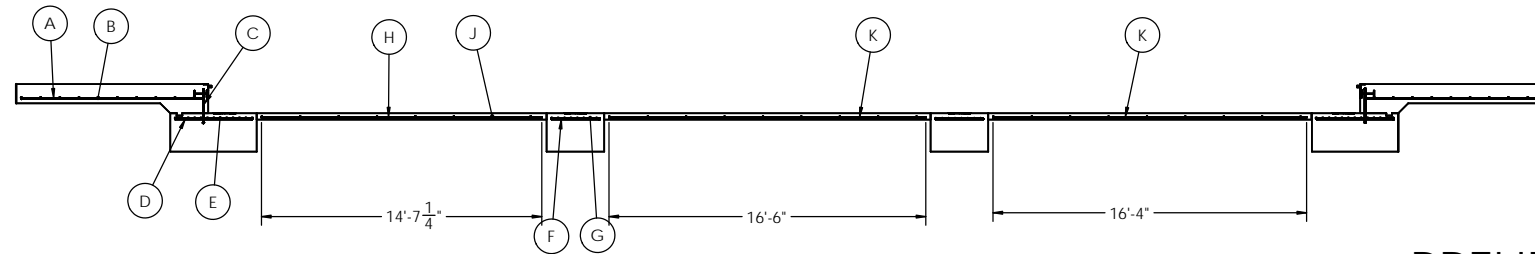
TRANSVERSE CHECKING TO BE
INSTALLED AFTER SCALE IS INSTALLED.
DO NOT INSTALL ELECTRONIC
LC'S UNTIL AFTER ALL WELDING
IS COMPLETE



LTR		DATE	BY	ALL SHARP CORNERS AND EDGES TO BE BROKEN	EMERY WINSLOW SCALE COMPANY SEYMOUR, CT. U.S.A. TERRE HAUTE, IN.
THIS DRAWING IS THE PROPERTY OF EMERY WINSLOW SCALE COMPANY SEYMOUR, CONNECTICUT. THE INFORMATION CONTAINED HEREIN IS CONFIDENTIAL AND IS NOT TO BE USED OR DISSEMINATED TO OTHERS WITHOUT THE EXPRESS WRITTEN CONSENT OF EMERY WINSLOW SCALE COMPANY.		DATE	BY		
DRAWN: S. JOHNSON DATE: 07/19/2019				FOUNDATION, CONCRETE PIER, 60' X 10', STEEL DECK	
CHECKED: DATE:				SCALE	FIRST USED ON
ACAD FILENAME:				1:60	DRAWING NO.
LAYERS USED:				196531	REV. A

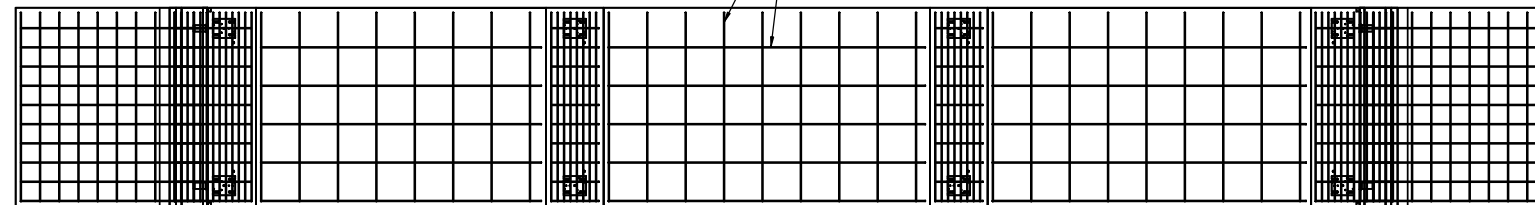
REBAR LAYOUT

MATERIAL REQUIREMENTS				
REBAR SCHEDULE				
BAL. NO.	QUANTITY	LENGTH (FT.-IN.)	DESCRIPTION	WEIGHT
A	20	9' 6"	# 4 @ 12 O.C.	127
B	20	9' 10"	# 4 @ 12 O.C.	131
C	20	1' 7 1/4"	# 4 @ 12 O.C.	21
D	20	4' 0"	# 4 @ 12 O.C.	53
E	26	9' 10"	# 4 @ 4 O.C.	171
F	20	2' 6"	# 4 @ 4 O.C.	33
G	16	9' 10"	# 4 @ 12 O.C.	105
CLEANOUT SCHEDULE				
H	5	14' 7 1/4"	# 4 @ 24 O.C.	49
J	26	9' 10"	# 4 @ 24 O.C.	171
K	10	16' 6"	# 4 @ 24 O.C.	110
TOTAL WEIGHT OF REBAR (LBS.)				972
TOTAL LENGTH OF REBAR (FT.)				1455
WIRE MESH	6 X 6-10 GA.		490 SQ FT	



PRELIMINARY NOT FOR
CONSTRUCTION FOR
ILLUSTRATION ONLY

#4 REBAR SPACED EVERY 24"
OR YOU MAY SUBSTITUTE
6X6X10 GA. WIRE MESH

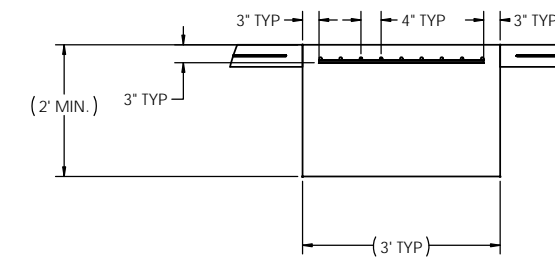
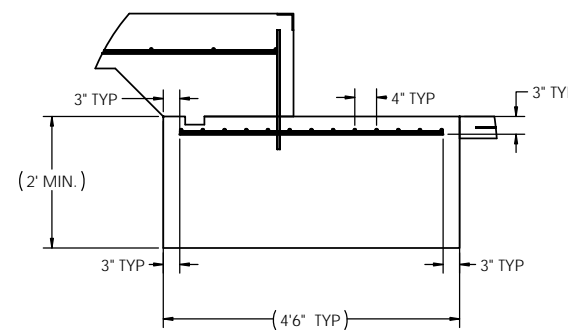
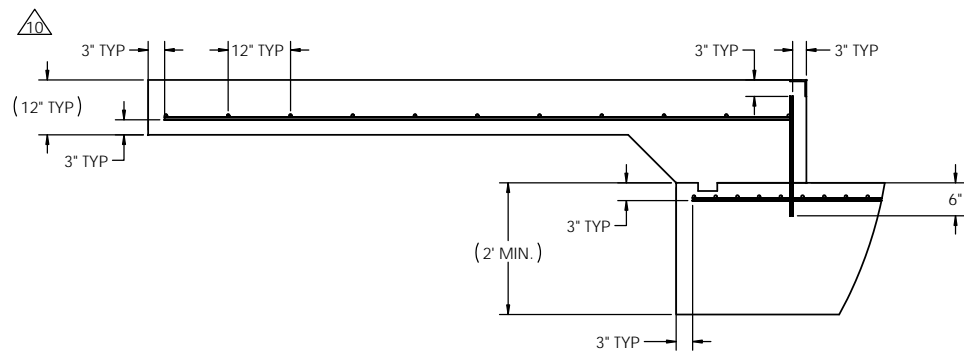


APPROACH STANDARD VIEWS

APPROACH PIER STANDARD VIEWS

PIER STANDARD VIEWS

NOTES: 1) LEFT AND RIGHT APPROACHES ARE MIRROR IMAGES OF EACH OTHER AND CONTAIN AN IDENTICAL PART LIST



		ALL SHARP CORNERS AND EDGES TO BE BROKEN		EMERY WINSLOW SCALE COMPANY	
		UNLESS OTHERWISE SPECIFIED DIMENSIONS ARE IN INCHES		SEYMOUR, CT. U.S.A. TERRE HAUTE, IN.	
		MACHINING FABRICATION		FOUNDATION, CONCRETE PIER, 60' X 10', STEEL DECK	
LTR		DATE	BY	DRAWN: S. JOHNSON DATE: 07/19/2019	
				CHECKED: DATE:	
				ACAD FILENAME:	
				LAYERS USED:	
THIS DRAWING IS THE PROPERTY OF EMERY WINSLOW SCALE COMPANY SEYMOUR, CONNECTICUT. THE INFORMATION CONTAINED HEREIN IS CONFIDENTIAL AND IS NOT TO BE USED OR DISSEMINATED TO OTHERS WITHOUT THE EXPRESS WRITTEN CONSENT OF EMERY WINSLOW SCALE COMPANY.				SCALE	FIRST USED ON
				1:48	DRAWING NO.
					196531
				REV.	A