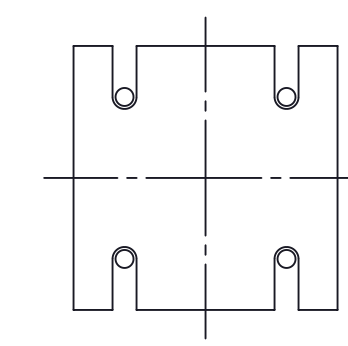
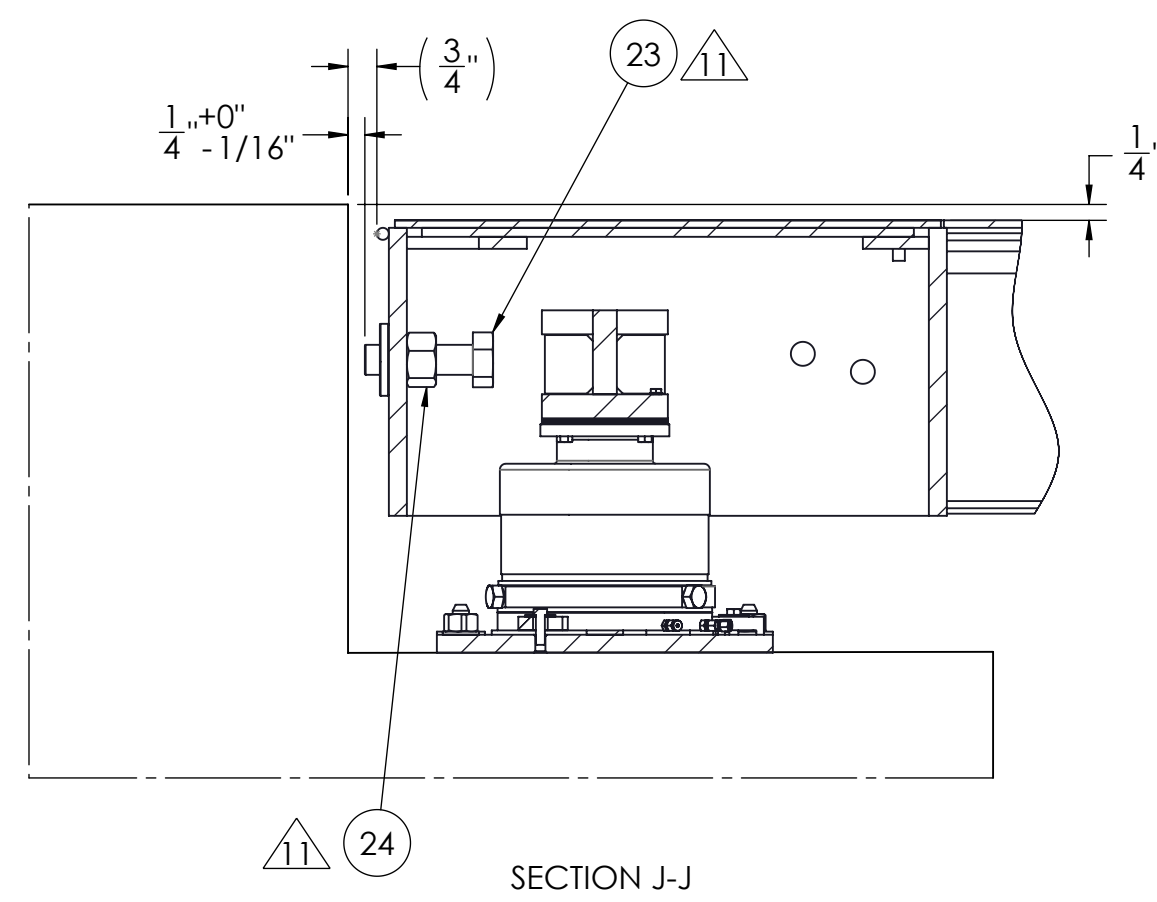


TOP VIEW WITH LOAD CELL LOCATIONS 5

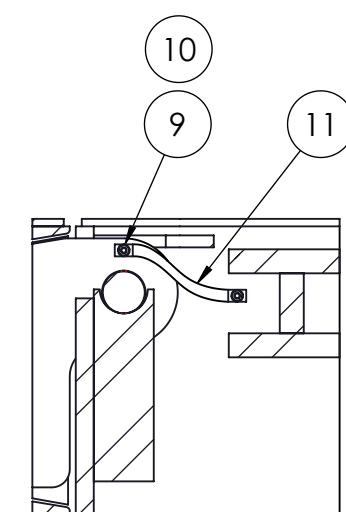
PRELIMINARY NOT FOR
CONSTRUCTION FOR
ILLUSTRATION ONLY



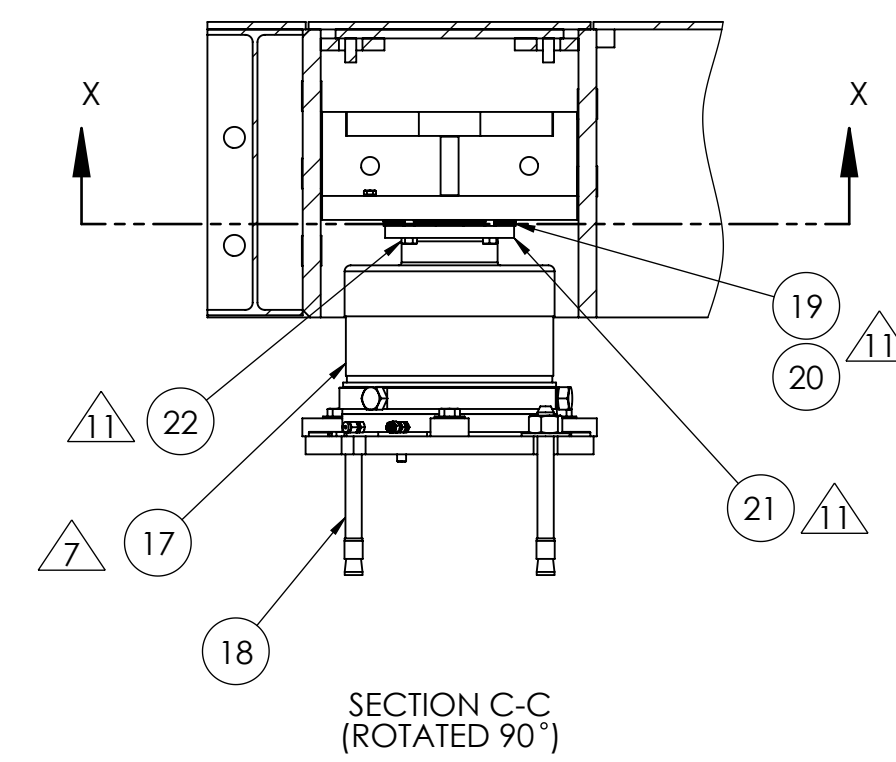
SECTION X-X



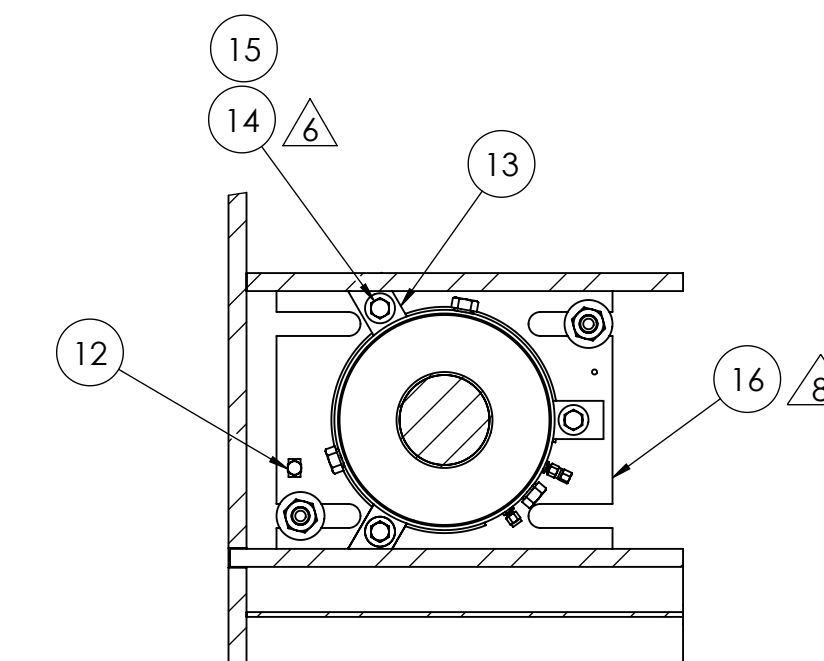
SECTION J-J



SECTION B-B
(ROTATED 180°)



SECTION C-C
(ROTATED 90°)



SECTION K-K

| | | | | | |
|--|---------------------|--------|-----|---|---|
| A | ENGINEERING RELEASE | 7/3/19 | DDL | ALL SHARP CORNERS AND EDGES TO BE BROKEN | EMERY WINSLOW SCALE COMPANY SEYMOUR, CT. U.S.A. TERRE HAUTE, IN. |
| | | | | | |
| | | | | UNLESS OTHERWISE SPECIFIED DIMENSIONS ARE IN INCHES | TRUCK SCALE, 70 X 11 STEEL DECK 4 SECTION ROADWAY II HYDROSTATIC |
| LTR | | DATE | BY | MACHINING .XX: ±-- FABRICATION .XXX: ±-- | |
| THIS DRAWING IS THE PROPERTY OF EMERY WINSLOW SCALE COMPANY SEYMOUR, CONNECTICUT. THE INFORMATION CONTAINED HEREIN IS CONFIDENTIAL AND IS NOT TO BE USED OR DISSEMINATED TO OTHERS WITHOUT THE EXPRESS WRITTEN CONSENT OF EMERY WINSLOW SCALE COMPANY. | | | | DRAWN: D.LHRMAN DATE: 06/25/2019 | SCALE N/A |
| | | | | CHECKED: DATE: | SHEET 2 OF 2 |
| | | | | ACAD FILENAME: LAYERS USED: | DRAWING NO. 195304 |
| | | | | | REV. A |