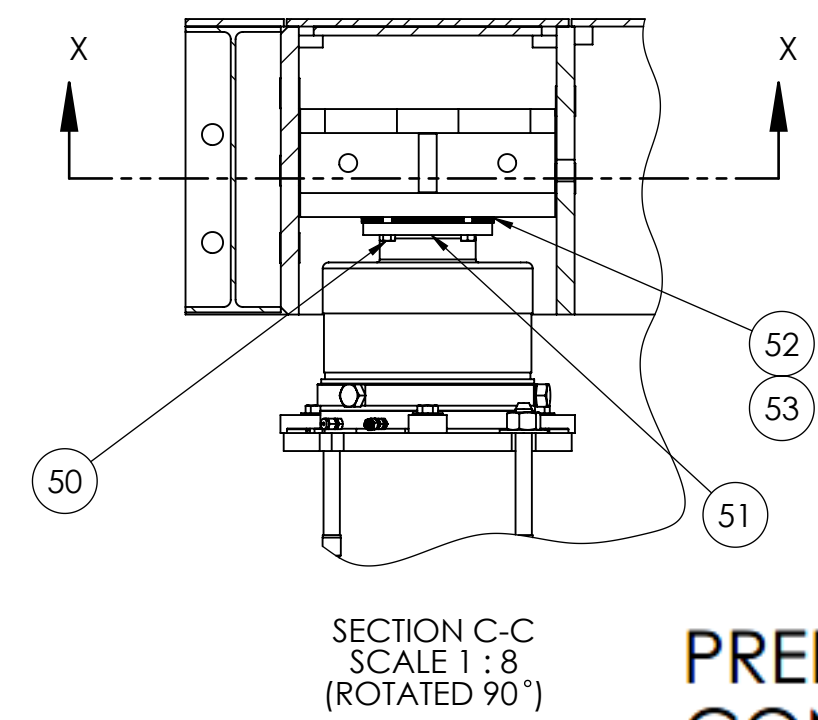


ITEM NO.	PART NO.	DESCRIPTION	QTY.
1	194153	23'4\" x 10' Module A WLDT EW Steel Deck OTR, 5/16\" Top Plate	1
2	194154	23'4\" x 10' Module B WLDT EW Steel Deck OTR, 5/16\" TOP PLATE	1
3	194155	23'4\" x 10' Module C WLDT EW Steel Deck OTR, 5/16\" TOP PLATE	1
4	195453	COVER PLATE WLDT, 5/16 X 11-3/4 X 22-3/4, EMERY WINSLOW	9
5	195454	COVER PLATE WLDT, CONDUIT CONNECTION 5/16 X 7 X 11-1/8, EMERY WINSLOW	1
8	MS15795-817	MS FLAT WASHER, 1/2, SS	24
9	50C125HCSS	HHCS, 1/2-13UNC X 1-1/4, SS	24
10	7442	ANCHOR BOLT WITH NUT AND FLAT WASHER, 3/4 X 5-1/2, ZN PL	16
11	192453	MOUNT BASE PLATE	8
12	D-24547-2	LOAD CELL, HYDROSTATIC	8
13	A-74818	SS CLAMP	24
20	186989	EMERY WINSLOW TRUCK SCALE DECAL 45 X 8.5	2

- NOTES:
- FIELD ASSEMBLY REQUIRED. POSITION MODULE A FIRST, FOLLOWED BY MODULES B AND C. REFER TO MANUAL FOR INSTALLATION INSTRUCTIONS.
  - REFER TO FOUNDATION DRAWING FOR SCALE ORIENTATION.
  - LOAD CELL MOUNT BASE PLATES TO BE LEVEL AND WITHIN 1/8\" AND ON A COMMON PLANE WITHIN 1/4\".
  - TIGHTEN ANCHOR BOLTS AFTER GROUT IS POURED AND HARDENED. (REFER TO FOUNDATION DRAWING FOR ANCHOR BOLT INSTALLATION)
  - POCKETS HAVE BEEN NUMBERED TO CLARIFY LOAD CELL LOCATION.
  - APPLY ANTI SEIZE COMPOUND TO THREADS OF ALL FASTENERS PRIOR TO INSTALLATION.
  - INSTALL LOAD CELL WITH FITTINGS ACCESSIBLE TO FACILITATE TUBING AND PURGING.
  - BASE PLATE ORIENTATION IS TYPICAL, SINGLE CLAMP IN ACCESS AREA.
  - SN TAG INSTALLED INSIDE NEST.
  - CENTER DECAL BETWEEN GUSSETS CLOSEST TO MODULE CENTER.
  - ITEMS INITIALLY INSTALLED AT SCALE LEVEL.



MODEL NO. H54-10070-10SD

NTEP NO. 19-025  
CLASS III  
CAPACITY = 100 TON  
CLC = 90,000 LB.

A	ENGINEERING RELEASE	3/10/21	SPJ
LTR	DATE	BY	DATE

THIS DRAWING IS THE PROPERTY OF EMERY WINSLOW SCALE COMPANY SEYMOUR, CONNECTICUT. THE INFORMATION CONTAINED HEREIN IS CONFIDENTIAL AND IS NOT TO BE USED OR DISSEMINATED TO OTHERS WITHOUT THE EXPRESS WRITTEN CONSENT OF EMERY WINSLOW SCALE COMPANY.

REPLACEMENT PARTS  $\Delta$

ITEM NO.	PART NO.	DESCRIPTION	QTY.
50	37C125HCSS	HHCS, 3/8-16UNC X 1-1/4, SS	32
51	B-29871-E	CENTERING RING	8
52	A29869-1-G	SHIM 1/16, SS	24
53	A29869-2-G	SHIM, 1/32, SS	16
60	A-32576	LOCKING NUT, 1-1/4-7UNC HEX TRI-LOCK	4
61	A-75361-1	CHECK BOLT, 1-1/4-7UNC X 4-1/2, FULL THREAD, ZN PL	4

EMERY WINSLOW SCALE COMPANY  
SEYMOUR, CT. U.S.A. TERRE HAUTE, IN.

TRUCK SCALE, 70 X 10 STEEL DECK 4 SECTION ROADWEIGH II HYDROSTATIC

SCALE 1:32 SHEET 1 OF 1 DRAWING NO. 205695 REV. A

PRELIMINARY NOT FOR CONSTRUCTION FOR ILLUSTRATION ONLY