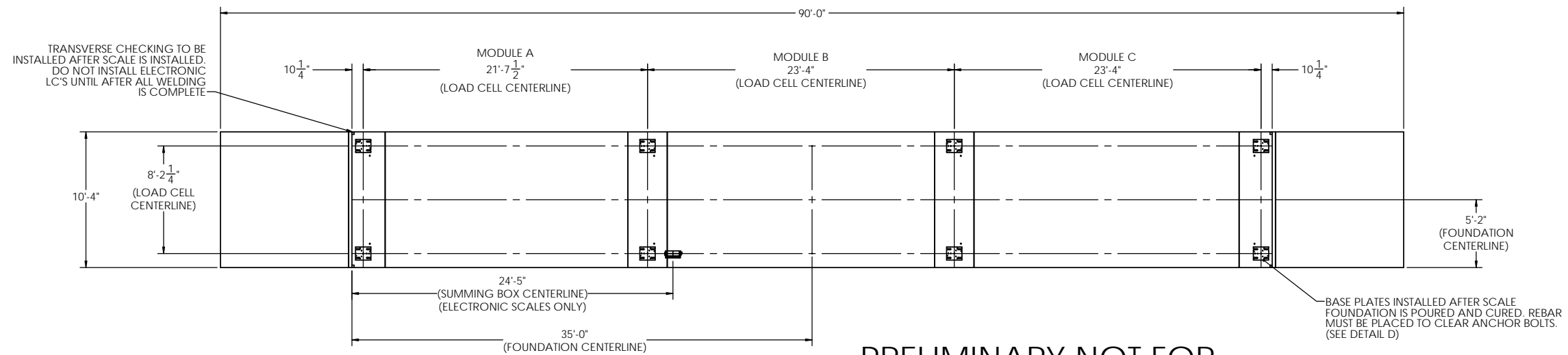
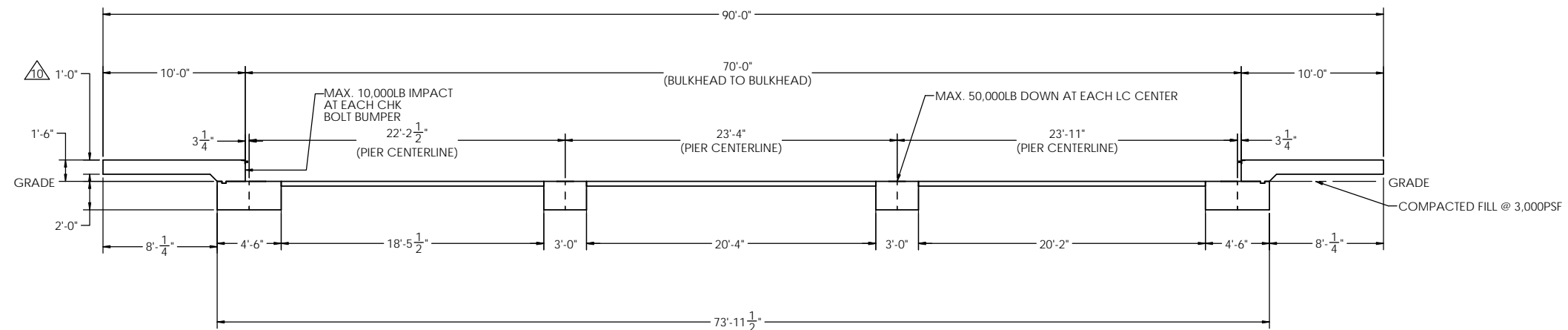


DETAILS

| REV. | ECO | REVISION DESCRIPTION | INIT | DATE |
|------|-----|----------------------|------|------------|
| A | - | ENGINEERING RELEASE | SPJ | 07/19/2019 |



PRELIMINARY NOT FOR CONSTRUCTION FOR ILLUSTRATION ONLY



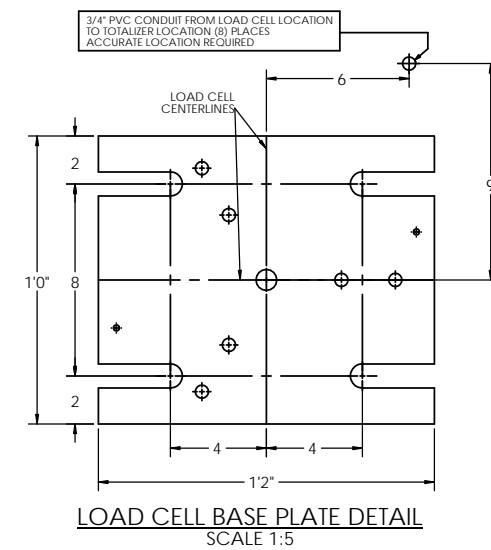
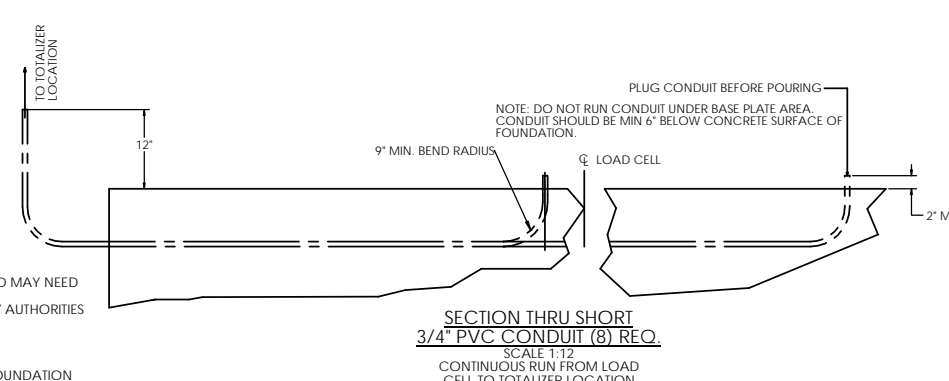
FOR NON COMMERCIAL SCALES PROVIDE AN APPROACH OF 2 FEET MINIMUM LENGTH WHICH IS LEVEL AND IN THE SAME PLANE AS THE PLATFORM.

FOR COMMERCIAL SCALES CHECK WITH LOCAL WEIGHTS AND MEASURES OFFICIALS BEFORE STARTING CONSTRUCTIONS. NATIONAL INSTITUTE OF STANDARDS AND TECHNOLOGY (NIST) HANDBOOK H44 REQUIRES:

A) A STRAIGHT APPROACH OF AT LEAST ONE-HALF THE LENGTH OF THE PLATFORM.
B) NOT LESS THAN 10 FEET OF APPROACH ADJACENT TO THE PLATFORM TO BE CONSTRUCTED OF CONCRETE OR SIMILAR DURABLE MATERIAL AND TO BE LEVEL AND IN THE SAME PLANE AS THE PLATFORM.

NOTES:

- CONCRETE STRENGTH: $f'_c = 4000$ PSI @ 28 DAYS
REINFORCING ROD: $F_y = 60,000$ PSI, ASTM A615 GRADE 60
ALL CONCRETE WORK TO BE DONE PER CRSI CODE
ALL FOUNDATION MATERIAL AND LABOR BY OTHERS
ALWAYS WORK FROM CERTIFIED DRAWINGS
- PIERS AS SHOWN ARE SIZED FOR 3,000 LB/SQ FT. THE END USER SHALL BE RESPONSIBLE FOR DETERMINING WHETHER OR NOT SOIL CHARACTERISTICS MEET THE REQUIREMENT.
- THE CONCRETE AND REBAR SPECIFICATIONS SHOWN ARE FOR A NATIONWIDE RANGE OF CONDITIONS AND MAY NEED MODIFICATION FOR LOCAL CONDITIONS. EMERY WINSLOW SCALE WILL NOT BE RESPONSIBLE FOR ANY CHANGES NECESSITATED BY ANY REGULATORY AUTHORITIES OR LOCAL SITE CONDITIONS.
- APPROACH COPING (BULKHEAD) TO BE ON A COMMON PLANE WITHIN $\frac{1}{4}$ ".
- TOP OF REBAR MUST BE PLACED TO CLEAR ANCHOR BOLTS. ANCHOR BOLTS ARE TO BE INSTALLED AFTER FOUNDATION HAS CURED.
- PIERS MUST BE INSTALLED WITH EXTREME CARE AND MUST NOT BE ALLOWED TO SHIFT.
- THESE PLANS ARE NOT SUITABLE WHERE SOIL MIGRATION IS AN ISSUE. SOIL MUST BE STABLE AND NOT SUBJECT TO FLOODING OR OTHER POSSIBLE CAUSES OF SOIL MIGRATION THAT MAY RESULT IN SHIFTING OF THE PIERS.
- BASE PLATES ARE NOT GROUTED. IF GROUTING IS REQUIRED ADD GROUT THICKNESS TO APPROACH DEPTH SHOWN.
- THERE ARE (2) ANCHOR BOLTS PER BASE PLATE. THEY SHOULD BE PLACED DIAGONALLY FROM EACH OTHER.
- APPROACH THICKNESS MAY BE 10" MINIMUM WHERE ALLOWED BY STATE REGULATIONS

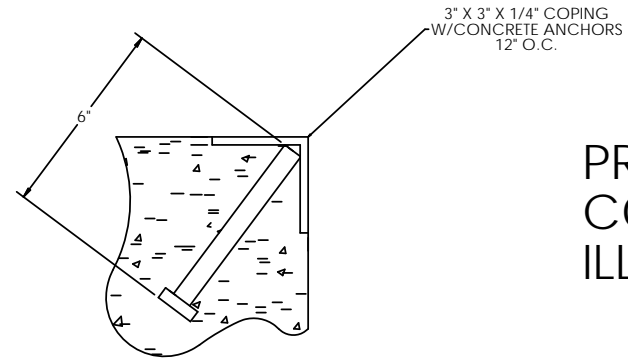


| | | | | | | | |
|---|--|------------------------------------|----|--|---|---------------|-------------|
| LTR | | DATE | BY | ALL SHARP CORNERS AND EDGES TO BE BROKEN | EMERY WINSLOW SCALE COMPANY SEYMOUR, CT. U.S.A. TERRE HAUTE, IN. | | |
| UNLESS OTHERWISE SPECIFIED DIMENSIONS ARE IN INCHES | | DRAWN: S. JOHNSON DATE: 07/24/2019 | | FOUNDATION, CONCRETE PIER 70' X 10', CONCRETE DECK | | | |
| MACHINING | | CHECKED: DATE: | | | SCALE | FIRST USED ON | DRAWING NO. |
| XX: ±.01 | | ACAD FILENAME: | | 1:60 | | 196634 | A |
| XXX: ±.005 | | LAYERS USED: | | | | | |

CONCRETE LAYOUT

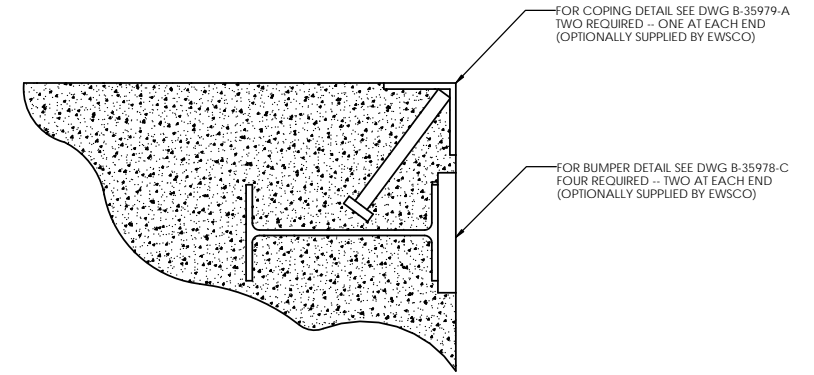
| CONCRETE SCHEDULE | | | |
|-------------------|----------------------|-----------|---------|
| | VOLUME (CUBIC YARDS) | | |
| APPROACHES | 8.5 | | |
| CLEANOUT | 7.6 | | |
| PIERS | 11.5 | | |
| TOTAL | 27.6 | | |
| MISC. STEEL | | | |
| PIT COPING | 3 X 3 X 1/4 | 21 LN. FT | 103 LBS |

VOLUME SHOWN FOR STATED PIER DEPTH.
ADD ADDITIONAL CONCRETE FOR
DEEPER PIERS AS NEEDED.

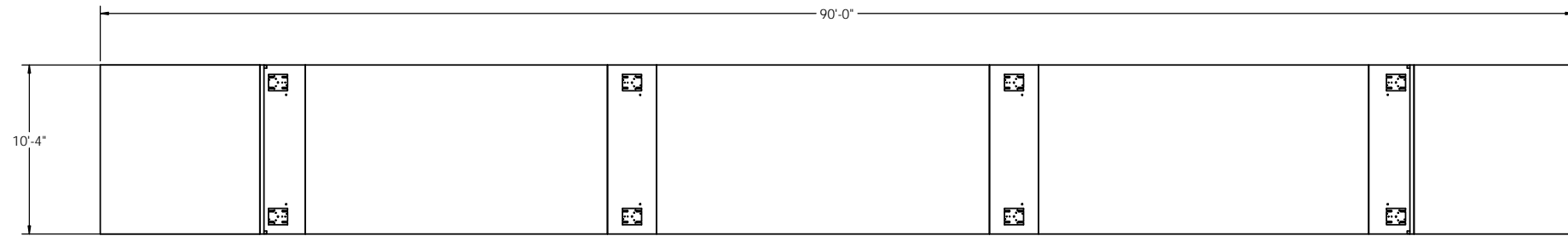


DETAIL C

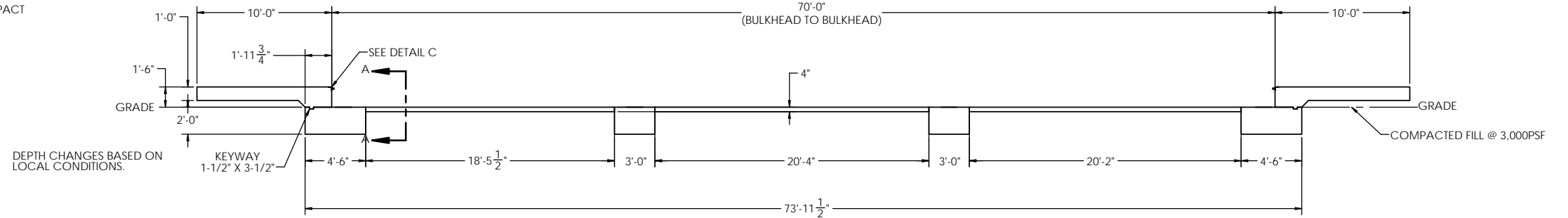
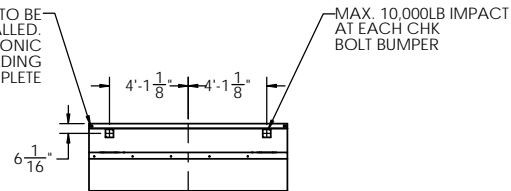
PRELIMINARY NOT FOR
CONSTRUCTION FOR
ILLUSTRATION ONLY



DETAIL OF BULKHEAD INSTALLATION
NO SCALE



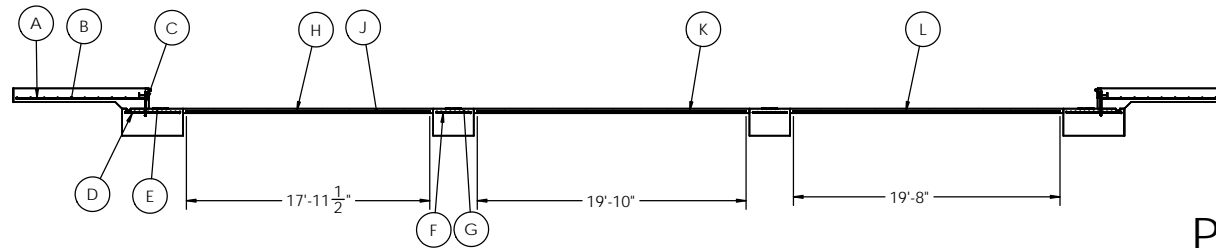
TRANSVERSE CHECKING TO BE
INSTALLED AFTER SCALE IS INSTALLED.
DO NOT INSTALL ELECTRONIC
LC'S UNTIL AFTER ALL WELDING
IS COMPLETE



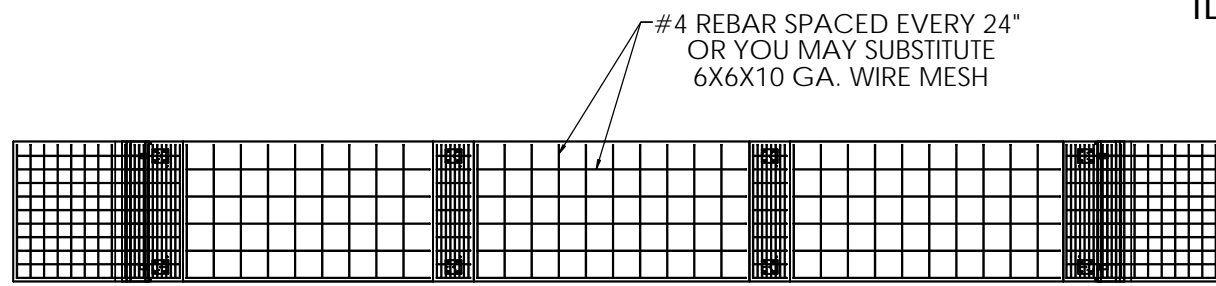
| | | | | | |
|---|--|------------------------------------|---------------|--|---|
| LTR | | DATE | BY | ALL SHARP CORNERS AND EDGES TO BE BROKEN | EMERY WINSLOW SCALE COMPANY SEYMOUR, CT. U.S.A. TERRE HAUTE, IN. |
| THIS DRAWING IS THE PROPERTY OF EMERY WINSLOW SCALE COMPANY SEYMOUR, CONNECTICUT. THE INFORMATION CONTAINED HEREIN IS CONFIDENTIAL AND IS NOT TO BE USED OR DISSEMINATED TO OTHERS WITHOUT THE EXPRESS WRITTEN CONSENT OF EMERY WINSLOW SCALE COMPANY. | | DRAWN: S. JOHNSON DATE: 07/24/2019 | | UNLESS OTHERWISE SPECIFIED DIMENSIONS ARE IN INCHES MACHINING FABRICATION XX: ±.01 XX: ±.13 XXX: ±.005 | |
| FOUNDATION, CONCRETE PIER 70' X 10', CONCRETE DECK | | SCALE | FIRST USED ON | DRAWING NO. | REV. |
| | | 1:60 | | 196634 | A |

REBAR LAYOUT

| MATERIAL REQUIREMENTS | | | | |
|------------------------------|--------------|-----------------|---------------|--------|
| REBAR SCHEDULE | | | | |
| BAL. NO. | QUANTITY | LENGTH (FT-IN.) | DESCRIPTION | WEIGHT |
| A | 20 | 9' 6" | # 4 @ 12 O.C. | 127 |
| B | 20 | 9' 10" | # 4 @ 12 O.C. | 131 |
| C | 20 | 1' 9 1/4" | # 4 @ 12 O.C. | 24 |
| D | 20 | 4' 0" | # 4 @ 12 O.C. | 53 |
| E | 26 | 9' 10" | # 4 @ 4 O.C. | 171 |
| F | 20 | 2' 6" | # 4 @ 12 O.C. | 33 |
| G | 16 | 9' 10" | # 4 @ 4 O.C. | 105 |
| CLEANOUT SCHEDULE | | | | |
| H | 5 | 17' 11 1/2" | # 4 @ 24 O.C. | 60 |
| J | 29 | 9' 10" | # 4 @ 24 O.C. | 190 |
| K | 5 | 19' 10" | # 4 @ 24 O.C. | 66 |
| L | 5 | 19' 8" | # 4 @ 24 O.C. | 66 |
| TOTAL WEIGHT OF REBAR (LBS.) | | | | 1027 |
| TOTAL LENGTH OF REBAR (FT.) | | | | 1538 |
| WIRE MESH | 6 X 6-10 GA. | | 609 SQ FT | |



PRELIMINARY NOT FOR CONSTRUCTION FOR ILLUSTRATION ONLY

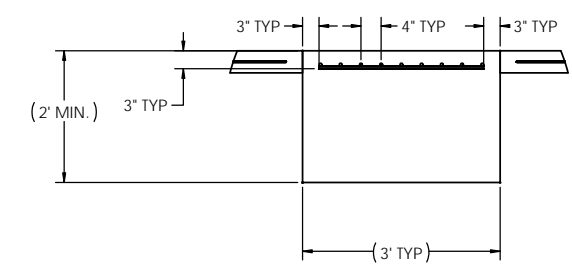
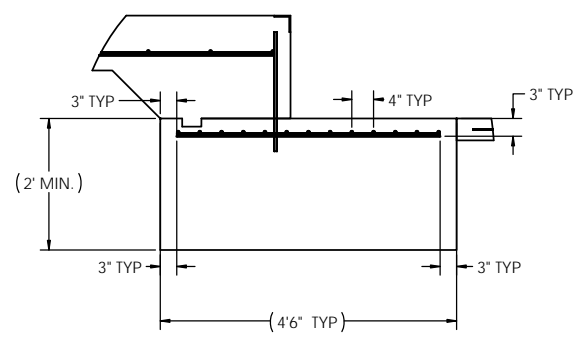
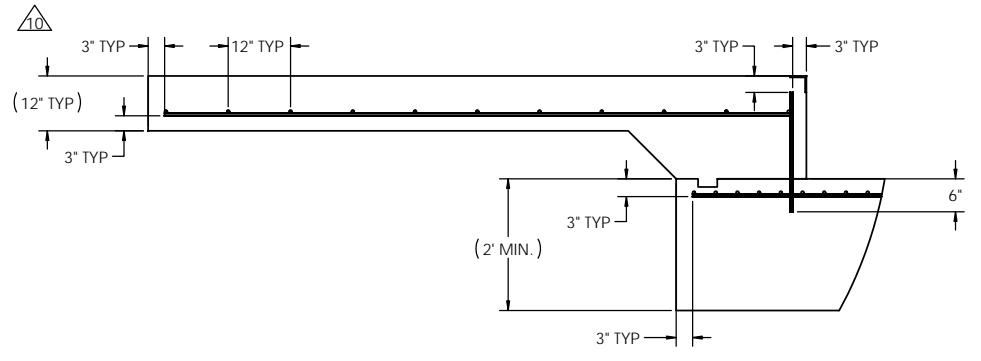


APPROACH STANDARD VIEWS

APPROACH PIER STANDARD VIEWS

PIER STANDARD VIEWS

NOTES: 1) LEFT AND RIGHT APPROACHES ARE MIRROR IMAGES OF EACH OTHER AND CONTAIN AN IDENTICAL PART LIST



| | | | | | | |
|--|--|------|----|--|---|--|
| LTR | | DATE | BY | ALL SHARP CORNERS AND EDGES TO BE BROKEN UNLESS OTHERWISE SPECIFIED DIMENSIONS ARE IN INCHES MACHINING FABRICATION .XX: ±.01 .XXX: ±.005 | EMERY WINSLOW SCALE COMPANY <small>SEYMOUR, CT. U.S.A. TERRE HAUTE, IN.</small> | |
| THIS DRAWING IS THE PROPERTY OF EMERY WINSLOW SCALE COMPANY SEYMOUR, CONNECTICUT. THE INFORMATION CONTAINED HEREIN IS CONFIDENTIAL AND IS NOT TO BE USED OR DISSEMINATED TO OTHERS WITHOUT THE EXPRESS WRITTEN CONSENT OF EMERY WINSLOW SCALE COMPANY. | | | | | | DRAWN: S. JOHNSON DATE: 07/24/2019 CHECKED: DATE: |
| | | | | | | ACAD FILENAME: _____ LAYERS USED: _____ |
| | | | | FOUNDATION, CONCRETE PIER 70' X 10', CONCRETE DECK | SCALE: 1:48 FIRST USED ON: _____ DRAWING NO.: 196634 REV: A | |