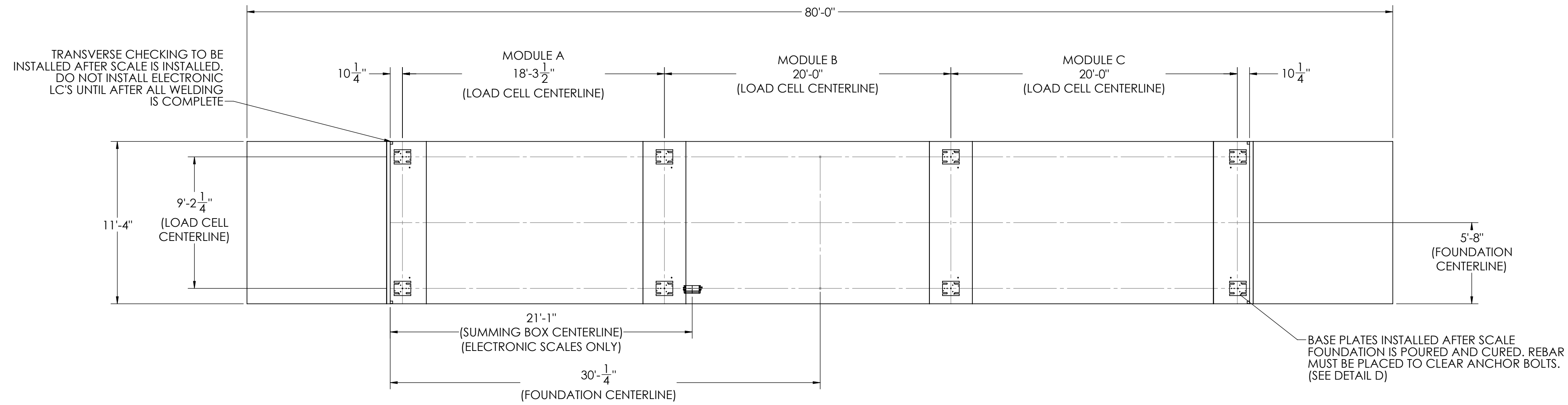
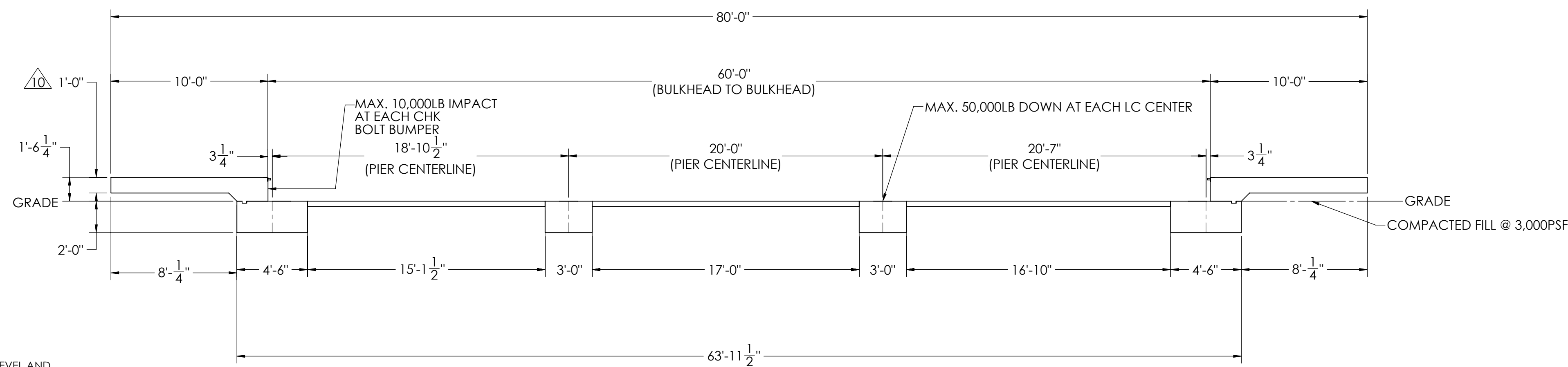


DETAILS

		REVISION		
REV.	ECO	DESCRIPTION	INIT	DATE
A	-	ENGINEERING RELEASE	SPJ	07/22/2019
B	-	18'-3-1/2" WAS 18'-3-1/4"	SPJ	03/25/2020



PRELIMINARY NOT FOR CONSTRUCTION FOR ILLUSTRATION ONLY



FOR NON COMMERCIAL SCALES PROVIDE AN APPROACH OF 2 FEET MINIMUM LENGTH WHICH IS LEVEL AND IN THE SAME PLANE AS THE PLATFORM.

FOR COMMERCIAL SCALES CHECK WITH LOCAL WEIGHTS AND MEASURES OFFICIALS BEFORE STARTING CONSTRUCTIONS. NATIONAL INSTITUTE OF STANDARDS AND TECHNOLOGY (NIST) HANDBOOK H44 REQUIRES:
 A) A STRAIGHT APPROACH OF AT LEAST ONE-HALF THE LENGTH OF THE PLATFORM.
 B) NOT LESS THAN 10 FEET OF APPROACH ADJECENT TO THE PLATFORM TO BE CONSTRUCTED OF CONCRETE OR SIMILAR DURABLE MATERIAL AND TO BE LEVEL AND IN THE SAME PLANE AS THE PLATFORM.

NOTES:
 1. CONCRETE STRENGTH: f'c = 4000 PSI @ 28 DAYS
 REINFORCING ROD: Fy = 60,000 PSI, ASTM A615 GRADE 60
 ALL CONCRETE WORK TO BE DONE PER CRSI CODE
 ALL FOUNDATION MATERIAL AND LABOR BY OTHERS
 ALWAYS WORK FROM CERTIFIED DRAWINGS

2. PIERS AS SHOWN ARE SIZED FOR 3,000 LB/SQ.FT. THE END USER SHALL BE RESPONSIBLE FOR DETERMINING WHETHER OR NOT SOIL CHARACTERISTICS MEET THE REQUIREMENT.

3. THE CONCRETE AND REBAR SPECIFICATIONS SHOWN ARE FOR A NATIONWIDE RANGE OF CONDITIONS AND MAY NEED MODIFICATION FOR LOCAL CONDITIONS. EMERY WINSLOW SCALE WILL NOT BE RESPONSIBLE FOR ANY CHANGES NECESSITATED BY ANY REGULATORY AUTHORITIES OR LOCAL SITE CONDITIONS.

4. APPROACH COPING (BULKHEAD) TO BE ON A COMMON PLANE WITHIN 1/4".

5. TOP OF REBAR MUST BE PLACED TO CLEAR ANCHOR BOLTS. ANCHOR BOLTS ARE TO BE INSTALLED AFTER FOUNDATION HAS CURED.

6. PIERS MUST BE INSTALLED WITH EXTREME CARE AND MUST NOT BE ALLOWED TO SHIFT.

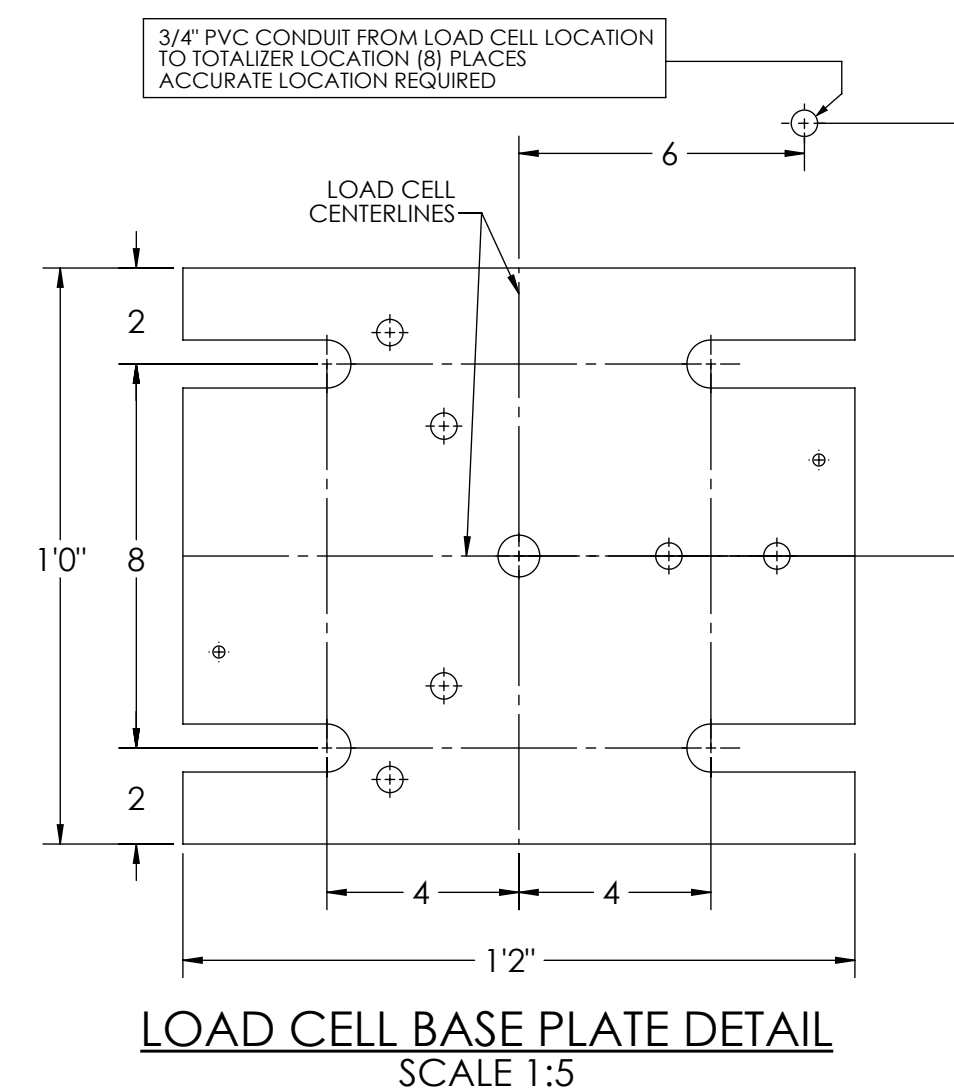
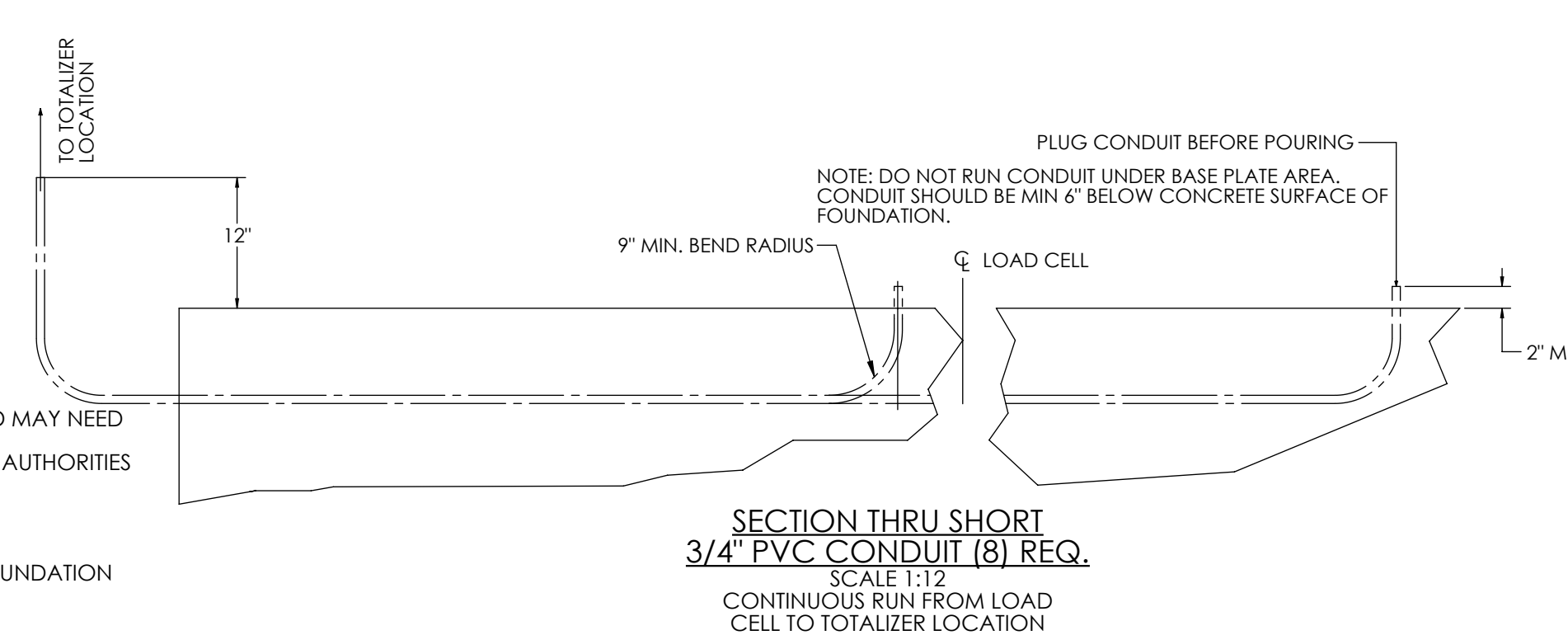
7. THESE PLANS ARE NOT SUITABLE WHERE SOIL MIGRATION IN AN ISSUE. SOIL MUST BE STABLE AND NOT SUBJECT TO FLOODING OR OTHER POSSIBLE CAUSES OF SOIL MIGRATION THAT MAY RESULT IN SHIFTING OF THE PIERS.

8. BASE PLATES ARE NOT GROUTED. IF GROUTING IS REQUIRED ADD GROUT THICKNESS TO APPROACH DEPTH SHOWN.

9. THERE ARE (2) ANCHOR BOLTS PER BASE PLATE. THEY SHOULD BE PLACED DIAGONALLY FROM EACH OTHER.

△ APPROACH THICKNESS MAY BE 10" MINIMUM WHERE ALLOWED BY STATE REGULATIONS

11. REFER TO ASSEMBLY DRAWING FOR BASE PLATE ORIENTATION.



LTR		DATE	BY	ALL SHARP CORNERS AND EDGES TO BE BROKEN	EMERY WINSLOW SCALE COMPANY SEYMOUR, CT. U.S.A. TERRE HAUTE, IN.
				UNLESS OTHERWISE SPECIFIED DIMENSIONS ARE IN INCHES	
				MACHINING .XX: ±.01 XXX: ±.005	FOUNDATION, CONCRETE PIER 60' X 11', STEEL DECK
				FABRICATION .XX: ±.13	
THIS DRAWING IS THE PROPERTY OF EMERY WINSLOW SCALE COMPANY SEYMOUR, CONNECTICUT. THE INFORMATION CONTAINED HEREIN IS CONFIDENTIAL AND IS NOT TO BE USED OR DISSEMINATED TO OTHERS WITHOUT THE EXPRESS WRITTEN CONSENT OF EMERY WINSLOW SCALE COMPANY.				DRAWN: S.JOHNSON DATE: 07/22/2019	SCALE 1:60
				CHECKED: DATE:	
				ACAD FILENAME:	FIRST USED ON
				LAYERS USED:	DRAWING NO. 196537
					REV. B