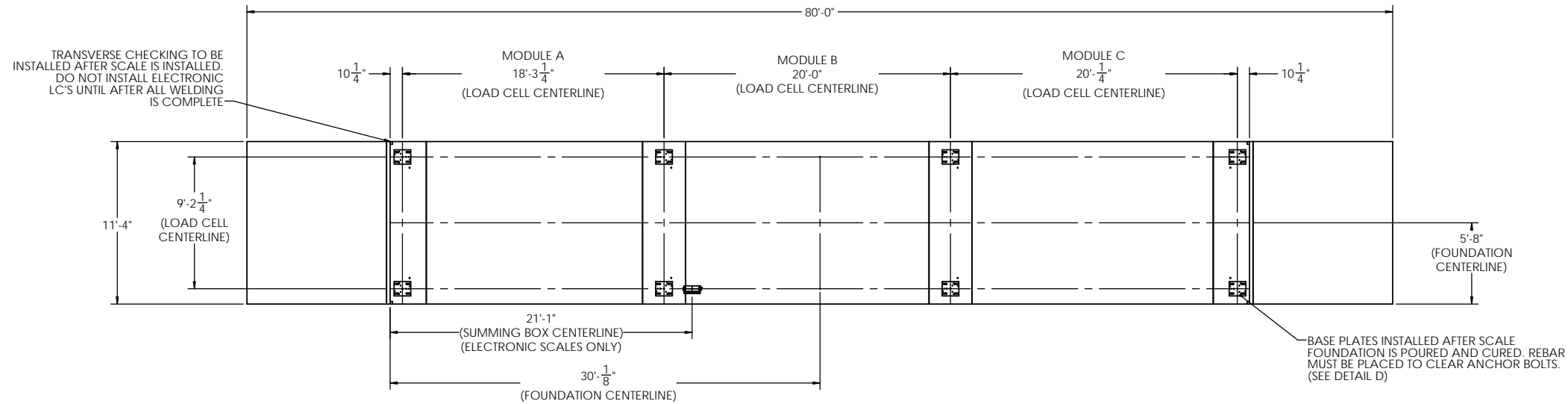
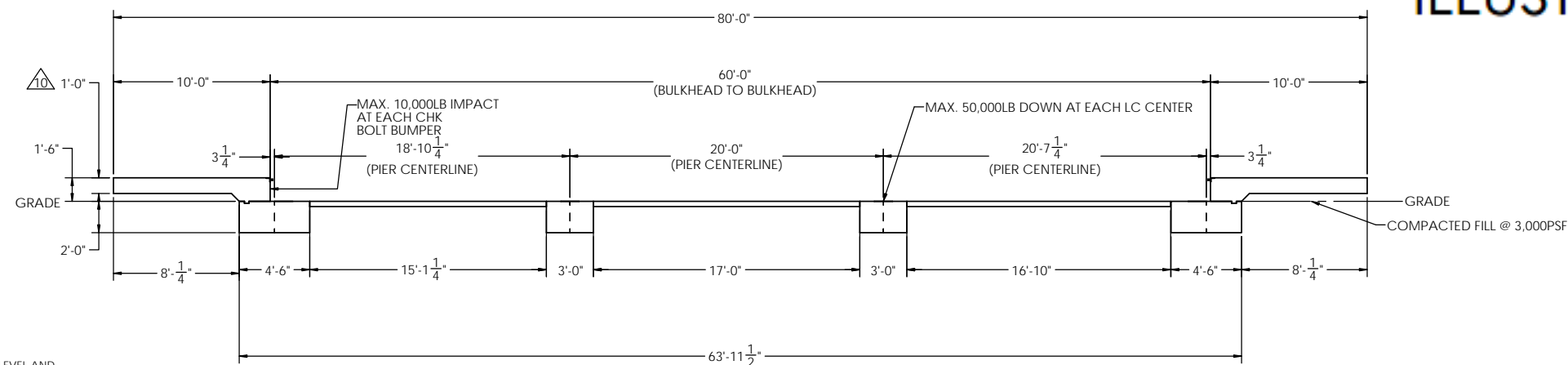


DETAILS

REVISION				
REV.	ECO	DESCRIPTION	INIT	DATE
A	-	ENGINEERING RELEASE	XXX	XX/XX/2019



PRELIMINARY NOT FOR CONSTRUCTION FOR ILLUSTRATION ONLY



FOR NON COMMERCIAL SCALES PROVIDE AN APPROACH OF 2 FEET MINIMUM LENGTH WHICH IS LEVEL AND IN THE SAME PLANE AS THE PLATFORM.

FOR COMMERCIAL SCALES CHECK WITH LOCAL WEIGHTS AND MEASURES OFFICIALS BEFORE STARTING CONSTRUCTIONS. NATIONAL INSTITUTE OF STANDARDS AND TECHNOLOGY (NIST) HANDBOOK H44 REQUIRES:

- A) A STRAIGHT APPROACH OF AT LEAST ONE-HALF THE LENGTH OF THE PLATFORM.
- B) NOT LESS THAN 10 FEET OF APPROACH ADJACENT TO THE PLATFORM TO BE CONSTRUCTED OF CONCRETE OR SIMILAR DURABLE MATERIAL AND TO BE LEVEL AND IN THE SAME PLANE AS THE PLATFORM.

NOTES:
 1. CONCRETE STRENGTH: $f'_c = 4000$ PSI @ 28 DAYS
 REINFORCING ROD: $F_y = 60,000$ PSI, ASTM A615 GRADE 60
 ALL CONCRETE WORK TO BE DONE PER CRSI CODE
 ALL FOUNDATION MATERIAL AND LABOR BY OTHERS
 ALWAYS WORK FROM CERTIFIED DRAWINGS

2. PIERS AS SHOWN ARE SIZED FOR 3,000 LB/SQ.FT. THE END USER SHALL BE RESPONSIBLE FOR DETERMINING WHETHER OR NOT SOIL CHARACTERISTICS MEET THE REQUIREMENT.

3. THE CONCRETE AND REBAR SPECIFICATIONS SHOWN ARE FOR A NATIONWIDE RANGE OF CONDITIONS AND MAY NEED MODIFICATION FOR LOCAL CONDITIONS. EMERY WINSLOW SCALE WILL NOT BE RESPONSIBLE FOR ANY CHANGES NECESSITATED BY ANY REGULATORY AUTHORITIES OR LOCAL SITE CONDITIONS.

4. APPROACH COPING (BULKHEAD) TO BE ON A COMMON PLANE WITHIN $\frac{1}{4}$ ".

5. TOP OF REBAR MUST BE PLACED TO CLEAR ANCHOR BOLTS. ANCHOR BOLTS ARE TO BE INSTALLED AFTER FOUNDATION HAS CURED.

6. PIERS MUST BE INSTALLED WITH EXTREME CARE AND MUST NOT BE ALLOWED TO SHIFT.

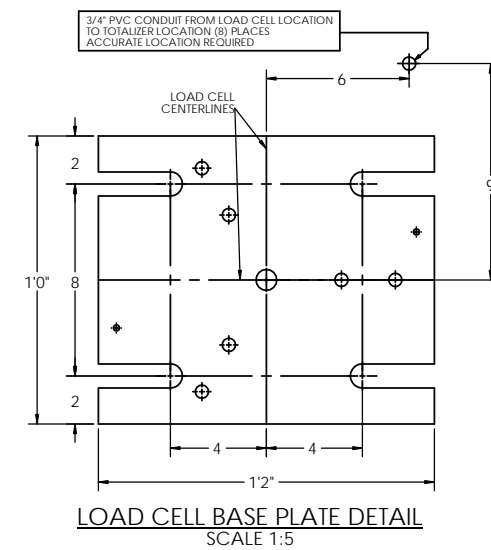
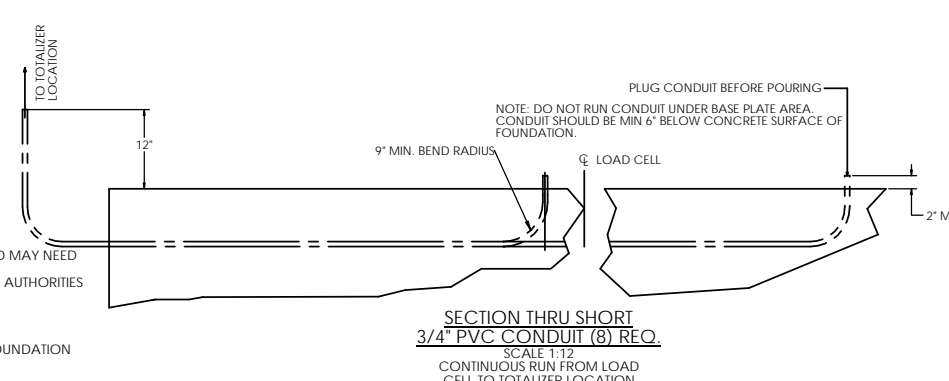
7. THESE PLANS ARE NOT SUITABLE WHERE SOIL MIGRATION IN AN ISSUE. SOIL MUST BE STABLE AND NOT SUBJECT TO FLOODING OR OTHER POSSIBLE CAUSES OF SOIL MIGRATION THAT MAY RESULT IN SHIFTING OF THE PIERS.

8. BASE PLATES ARE NOT GROUTED. IF GROUTING IS REQUIRED ADD GROUT THICKNESS TO APPROACH DEPTH SHOWN.

9. THERE ARE (2) ANCHOR BOLTS PER BASE PLATE. THEY SHOULD BE PLACED DIAGONALLY FROM EACH OTHER.

△ APPROACH THICKNESS MAY BE 10" MINIMUM WHERE ALLOWED BY STATE REGULATIONS

11. REFER TO ASSEMBLY DRAWING FOR BASE PLATE ORIENTATION.



ALL SHARP CORNERS AND EDGES TO BE BROKEN		EMERY WINSLOW SCALE COMPANY	
UNLESS OTHERWISE SPECIFIED DIMENSIONS ARE IN INCHES		SEYMOUR, CT. U.S.A. TERRE HAUTE, IN.	
MACHINING	FABRICATION	FOUNDATION, CONCRETE PIER 60' X 11', CONCRETE DECK	
XX: ±.01	XX: ±.13	SCALE	FIRST USED ON
XXX: ±.005		1:60	DRAWING NO. 196636
DATE	DATE	REV.	A
ACAD FILENAME	LAYERS USED		

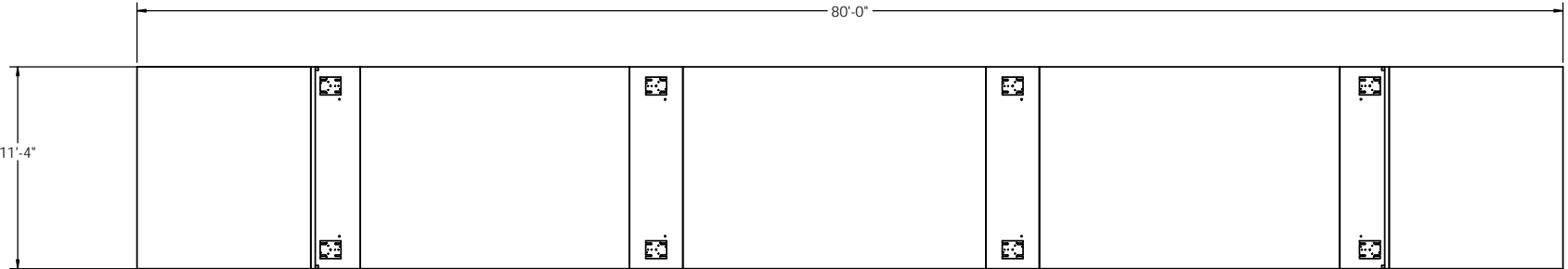
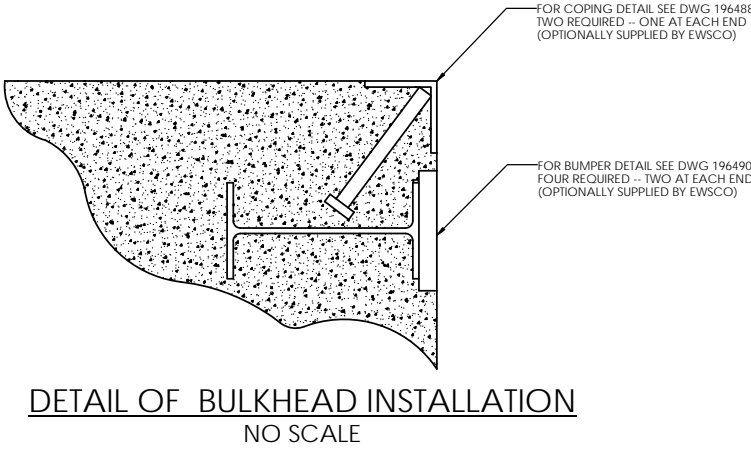
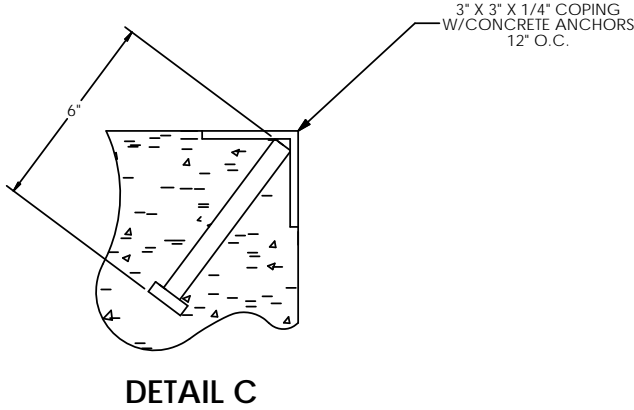
THIS DRAWING IS THE PROPERTY OF EMERY WINSLOW SCALE COMPANY SEYMOUR, CONNECTICUT. THE INFORMATION CONTAINED HEREIN IS CONFIDENTIAL AND IS NOT TO BE USED OR DISSEMINATED TO OTHERS WITHOUT THE EXPRESS WRITTEN CONSENT OF EMERY WINSLOW SCALE COMPANY.

DRAWN: SJOHNSON DATE: 07/22/2019
 CHECKED: DATE

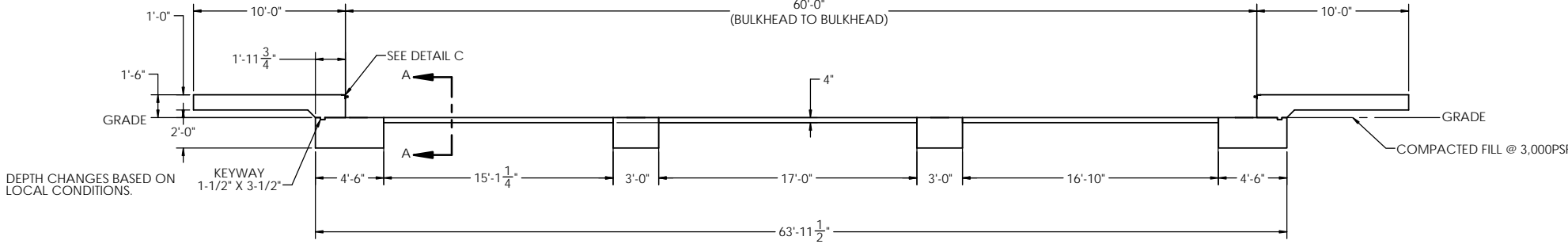
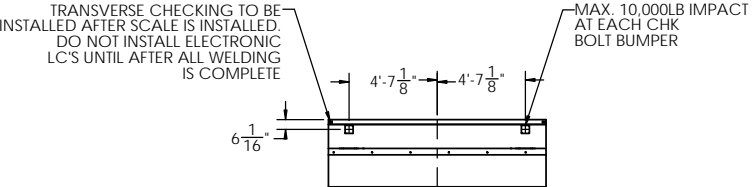
CONCRETE LAYOUT

CONCRETE SCHEDULE		VOLUME (CUBIC YARDS)	
APPROACHES		9.4	
CLEANOUT		6.9	
PIERS		12.6	
TOTAL		28.8	
MISC. STEEL			
PIT COPING	3 X 3 X 1/4	23 LN. FT	113 LBS

VOLUME SHOWN FOR STATED PIER DEPTH.
ADD ADDITIONAL CONCRETE FOR
DEEPER PIERS AS NEEDED.

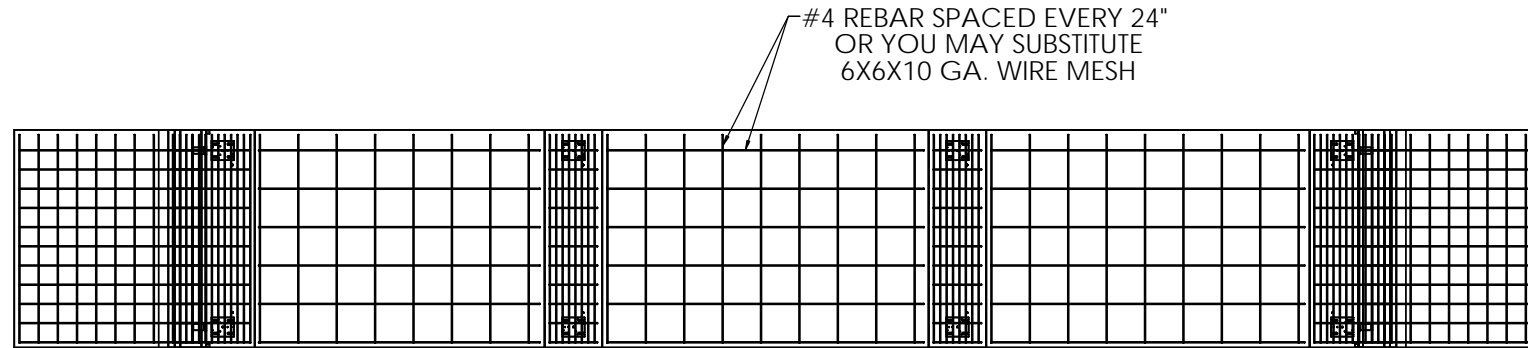
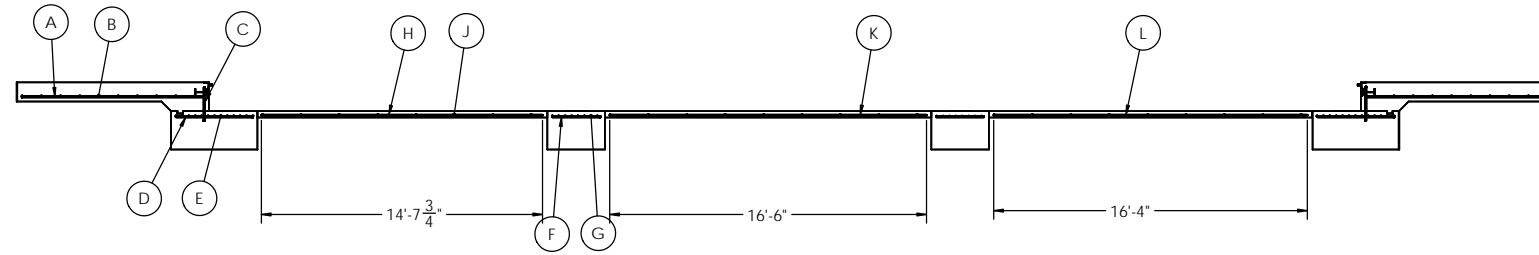


**PRELIMINARY NOT FOR
CONSTRUCTION FOR
ILLUSTRATION ONLY**



LTR		DATE	BY	ALL SHARP CORNERS AND EDGES TO BE BROKEN	EMERY WINSLOW SCALE COMPANY SEYMOUR, CT. U.S.A. TERRE HAUTE, IN.
THIS DRAWING IS THE PROPERTY OF EMERY WINSLOW SCALE COMPANY SEYMOUR, CONNECTICUT. THE INFORMATION CONTAINED HEREIN IS CONFIDENTIAL AND IS NOT TO BE USED OR DISSEMINATED TO OTHERS WITHOUT THE EXPRESS WRITTEN CONSENT OF EMERY WINSLOW SCALE COMPANY.		CHECKED:	DATE:	UNLESS OTHERWISE SPECIFIED DIMENSIONS ARE IN INCHES MACHINING FABRICATION XX: ±.01 XXX: ±.005	
DRAWN: S. JOHNSON		DATE: 07/22/2019		FOUNDATION, CONCRETE PIER 60' X 11', CONCRETE DECK	
SCALE		FIRST USED ON	DRAWING NO.	REV.	
1:60			196636	A	

REBAR LAYOUT



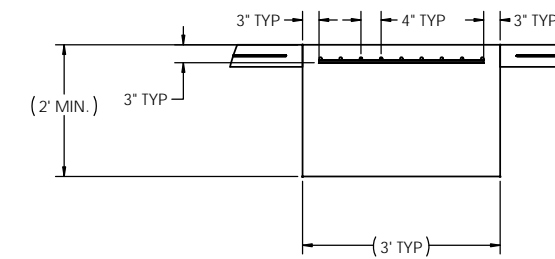
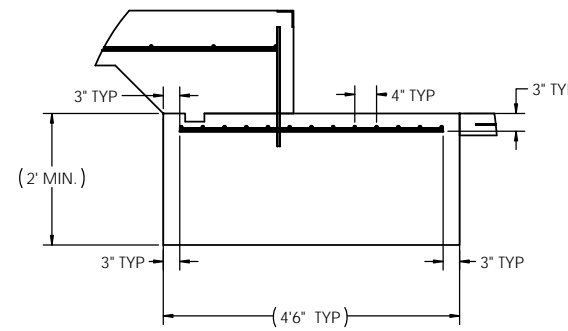
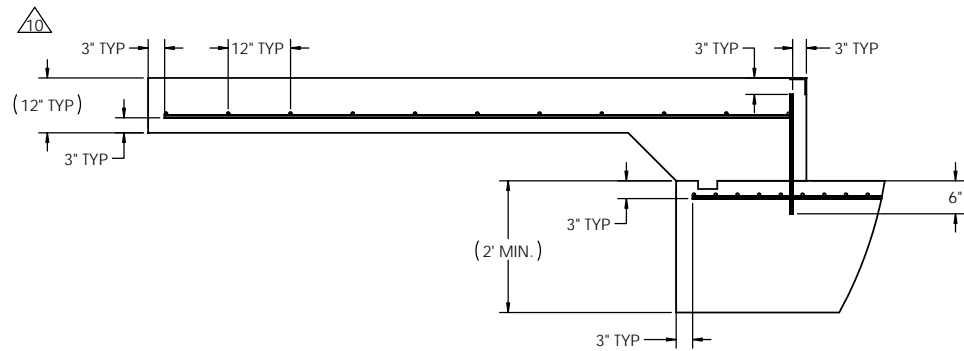
MATERIAL REQUIREMENTS				
REBAR SCHEDULE				
BAL. NO.	QUANTITY	LENGTH (FT-IN.)	DESCRIPTION	WEIGHT
A	22	9' 6"	# 4 @ 12 O.C.	140
B	20	10' 10"	# 4 @ 12 O.C.	145
C	22	1' 9 1/4"	# 4 @ 12 O.C.	26
D	22	4' 0"	# 4 @ 12 O.C.	59
E	26	10' 10"	# 4 @ 4 O.C.	188
F	22	2' 6"	# 4 @ 12 O.C.	37
G	16	10' 10"	# 4 @ 4 O.C.	116
CLEANOUT SCHEDULE				
H	6	14' 7 3/4"	# 4 @ 24 O.C.	59
J	26	10' 10"	# 4 @ 24 O.C.	188
K	6	16' 6"	# 4 @ 24 O.C.	66
L	6	16' 4"	# 4 @ 24 O.C.	65
TOTAL WEIGHT OF REBAR (LBS.)				1088
TOTAL LENGTH OF REBAR (FT.)				1629
WIRE MESH	6 X 6-10 GA.		538 SQ FT	

APPROACH STANDARD VIEWS

APPROACH PIER STANDARD VIEWS

PIER STANDARD VIEWS

NOTES: 1) LEFT AND RIGHT APPROACHES ARE MIRROR IMAGES OF EACH OTHER AND CONTAIN AN IDENTICAL PART LIST



**PRELIMINARY NOT FOR
CONSTRUCTION FOR
ILLUSTRATION ONLY**

LTR		DATE	BY	ALL SHARP CORNERS AND EDGES TO BE BROKEN UNLESS OTHERWISE SPECIFIED DIMENSIONS ARE IN INCHES MACHINING FABRICATION XX: ±.01 XXX: ±.005	EMERY WINSLOW SCALE COMPANY SEYMOUR, CT. U.S.A. TERRE HAUTE, IN.
DRAWN: S. JOHNSON		DATE: 07/22/2019	CHECKED:		
THIS DRAWING IS THE PROPERTY OF EMERY WINSLOW SCALE COMPANY SEYMOUR, CONNECTICUT. THE INFORMATION CONTAINED HEREIN IS CONFIDENTIAL AND IS NOT TO BE USED OR DISSEMINATED TO OTHERS WITHOUT THE EXPRESS WRITTEN CONSENT OF EMERY WINSLOW SCALE COMPANY.				FOUNDATION, CONCRETE PIER 60' X 11', CONCRETE DECK	SCALE: 1:48
				FIRST USED ON:	DRAWING NO.: 196636
				REV: A	