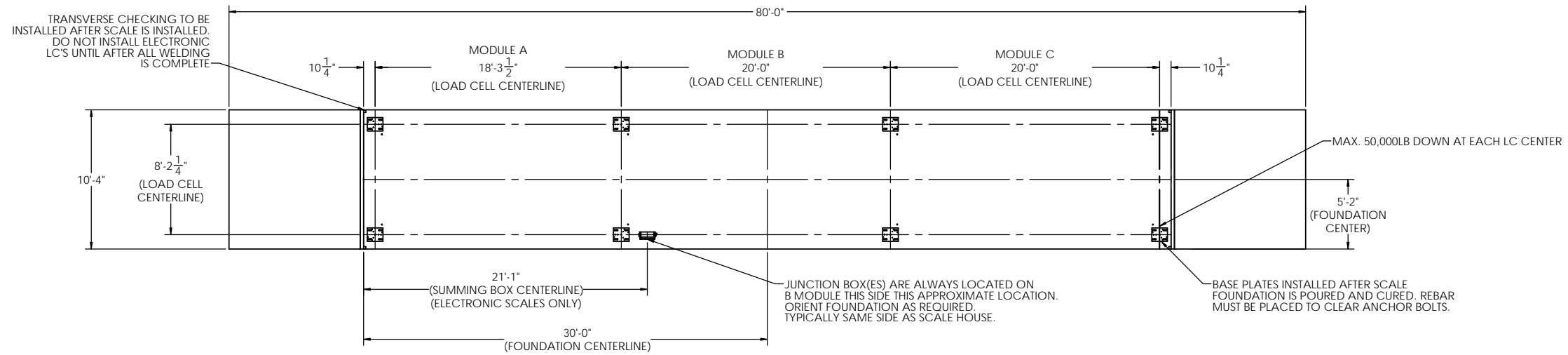
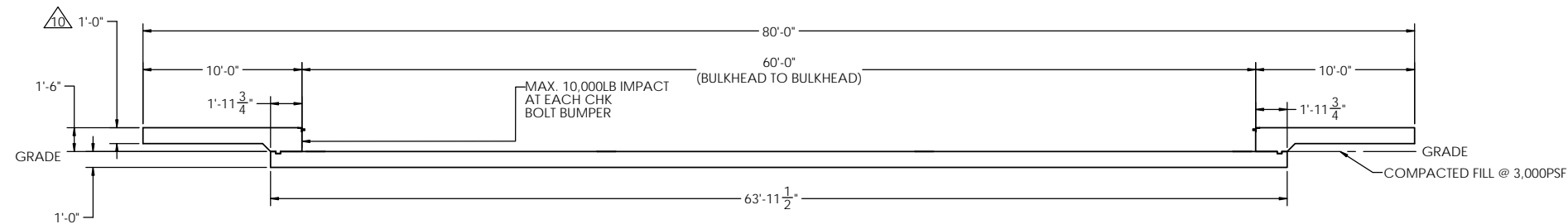


DETAILS

REVISION		INIT	DATE
REV.	ECO		
A		SPJ	07/24/2019



PRELIMINARY NOT FOR CONSTRUCTION FOR ILLUSTRATION ONLY



FOR NON COMMERCIAL SCALES PROVIDE AN APPROACH OF 2 FEET MINIMUM LENGTH WHICH IS LEVEL AND IN THE SAME PLANE AS THE PLATFORM.

FOR COMMERCIAL SCALES CHECK WITH LOCAL WEIGHTS AND MEASURES OFFICIALS BEFORE STARTING CONSTRUCTIONS. NATIONAL INSTITUTE OF STANDARDS AND TECHNOLOGY (NIST) HANDBOOK H44 REQUIRES:

A) A STRAIGHT APPROACH OF AT LEAST ONE-HALF THE LENGTH OF THE PLATFORM.
B) NOT LESS THAN 10 FEET OF APPROACH ADJACENT TO THE PLATFORM TO BE CONSTRUCTED OF CONCRETE OR SIMILAR DURABLE MATERIAL AND TO BE LEVEL AND IN THE SAME PLANE AS THE PLATFORM.

NOTES:

1. CONCRETE STRENGTH: $f'c = 4000$ PSI @ 28 DAYS
REINFORCING ROD: $F_y = 60,000$ PSI, ASTM A615 GRADE 60
ALL CONCRETE WORK TO BE DONE PER CRSI CODE
ALL FOUNDATION MATERIAL AND LABOR BY OTHERS
ALWAYS WORK FROM CERTIFIED DRAWINGS

2. PIERS AS SHOWN ARE SIZED FOR 3,000 LB/SQ FT.
THE END USER SHALL BE RESPONSIBLE FOR DETERMINING WHETHER OR NOT SOIL CHARACTERISTICS MEET THE REQUIREMENT.

3. THE CONCRETE AND REBAR SPECIFICATIONS SHOWN ARE FOR A NATIONWIDE RANGE OF CONDITIONS AND MAY NEED MODIFICATION FOR LOCAL CONDITIONS.
EMERY WINSLOW SCALE WILL NOT BE RESPONSIBLE FOR ANY CHANGES NECESSITATED BY ANY REGULATORY AUTHORITIES OR LOCAL SITE CONDITIONS.

4. APPROACH COPING (BULKHEAD) TO BE ON A COMMON PLANE WITHIN 1/4".

5. TOP OF REBAR MUST BE PLACED TO CLEAR ANCHOR BOLTS. ANCHOR BOLTS ARE TO BE INSTALLED AFTER FOUNDATION HAS CURED.

6. PIERS MUST BE INSTALLED WITH EXTREME CARE AND MUST NOT BE ALLOWED TO SHIFT.

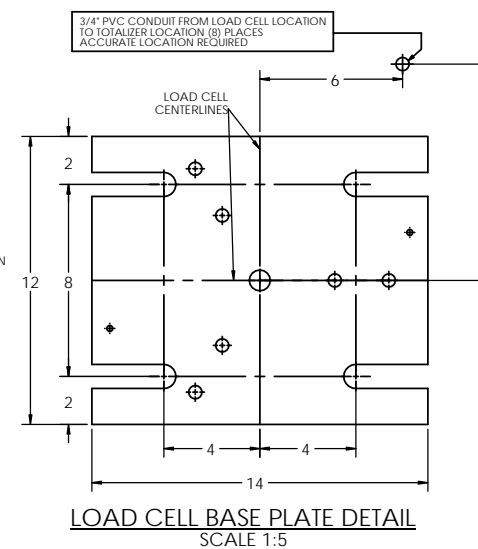
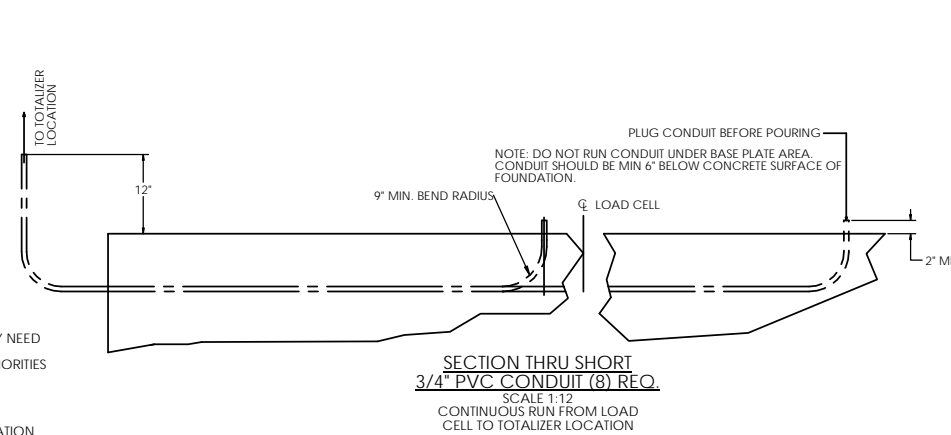
7. THESE PLANS ARE NOT SUITABLE WHERE SOIL MIGRATION IN AN ISSUE. SOIL MUST BE STABLE AND NOT SUBJECT TO FLOODING OR OTHER POSSIBLE CAUSES OF SOIL MIGRATION THAT MAY RESULT IN SHIFTING OF THE PIERS.

8. BASE PLATES ARE NOT GROUTED. IF GROUTING IS REQUIRED ADD GROUT THICKNESS TO APPROACH DEPTH SHOWN.

9. THERE ARE (2) ANCHOR BOLTS PER BASE PLATE. THEY SHOULD BE PLACED DIAGONALLY FROM EACH OTHER.

△ APPROACH THICKNESS MAY BE 10" MINIMUM WHERE ALLOWED BY STATE REGULATIONS

11. REFER TO ASSEMBLY DRAWING FOR BASE PLATE ORIENTATION.

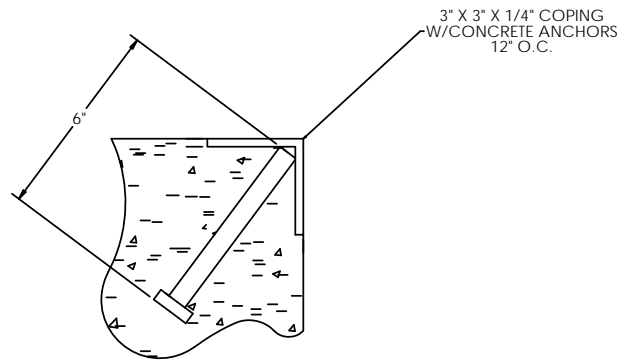


LTR		DATE	BY	ALL SHARP CORNERS AND EDGES TO BE BROKEN	EMERY WINSLOW SCALE COMPANY SEYMOUR, CT. U.S.A. TERRE HAUTE, IN.
THIS DRAWING IS THE PROPERTY OF EMERY WINSLOW SCALE COMPANY SEYMOUR, CONNECTICUT. THE INFORMATION CONTAINED HEREIN IS CONFIDENTIAL AND IS NOT TO BE USED OR DISSEMINATED TO OTHERS WITHOUT THE EXPRESS WRITTEN CONSENT OF EMERY WINSLOW SCALE COMPANY.		CHECKED:	DATE:	UNLESS OTHERWISE SPECIFIED DIMENSIONS ARE IN INCHES MACHINING FABRICATION XX: ±.01 XXX: ±.005	FOUNDATION, CONCRETE SLAB 60' X 10', CONCRETE DECK
DRAWN: S. JOHNSON		DATE: 07/24/2019		SCALE	FIRST USED ON
ACAD FILENAME:		LAYERS USED:		1:60	DRAWING NO. 196626
REV. A					

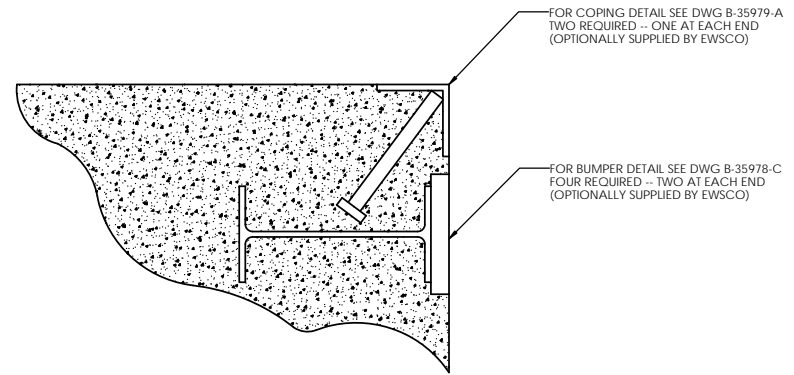
CONCRETE SCHEDULE			
		VOLUME (CUBIC YARDS)	
APPROACHES		8.5	
FLOOR		24.6	
TOTAL		33.1	
MISC. STEEL			
PIT COPING	3 X 3 X 1/4	21 LN .FT	103 LBS

CONCRETE LAYOUT

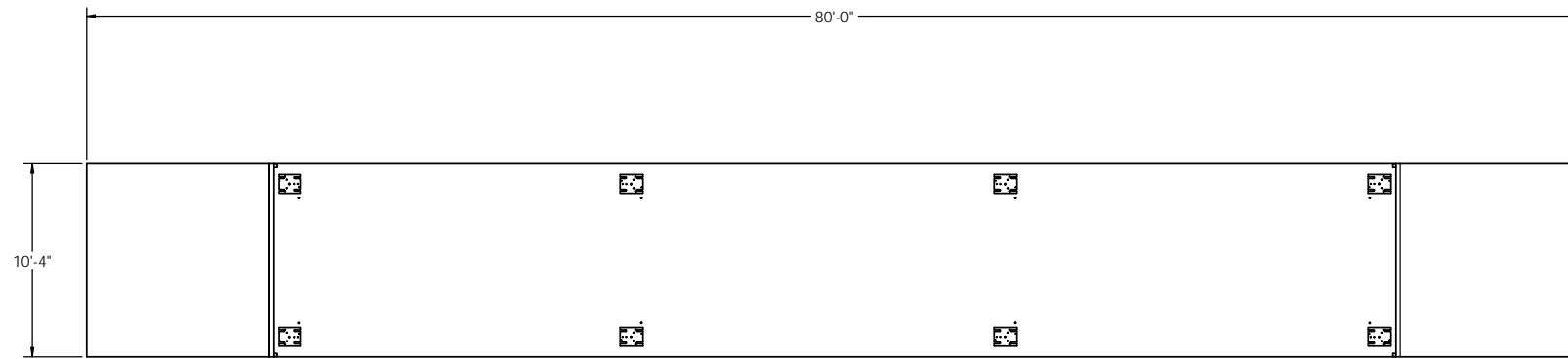
PRELIMINARY NOT FOR
CONSTRUCTION FOR
ILLUSTRATION ONLY



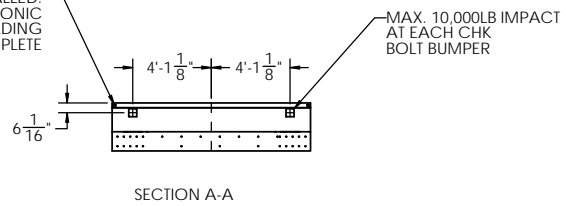
DETAIL C



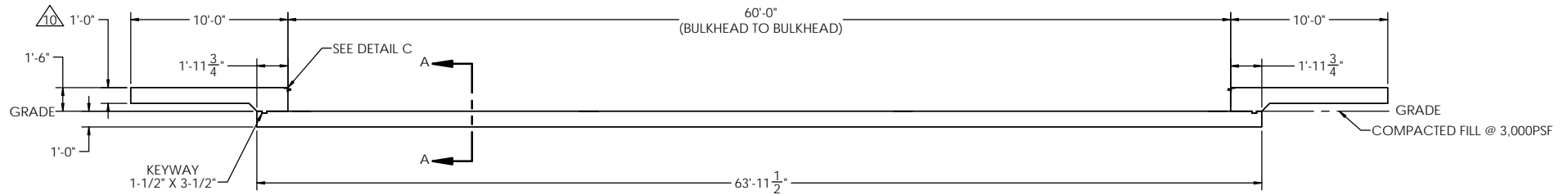
DETAIL OF BULKHEAD INSTALLATION
NO SCALE



TRANSVERSE CHECKING TO BE
INSTALLED AFTER SCALE IS INSTALLED.
DO NOT INSTALL ELECTRONIC
LC'S UNTIL AFTER ALL WELDING
IS COMPLETE



SECTION A-A



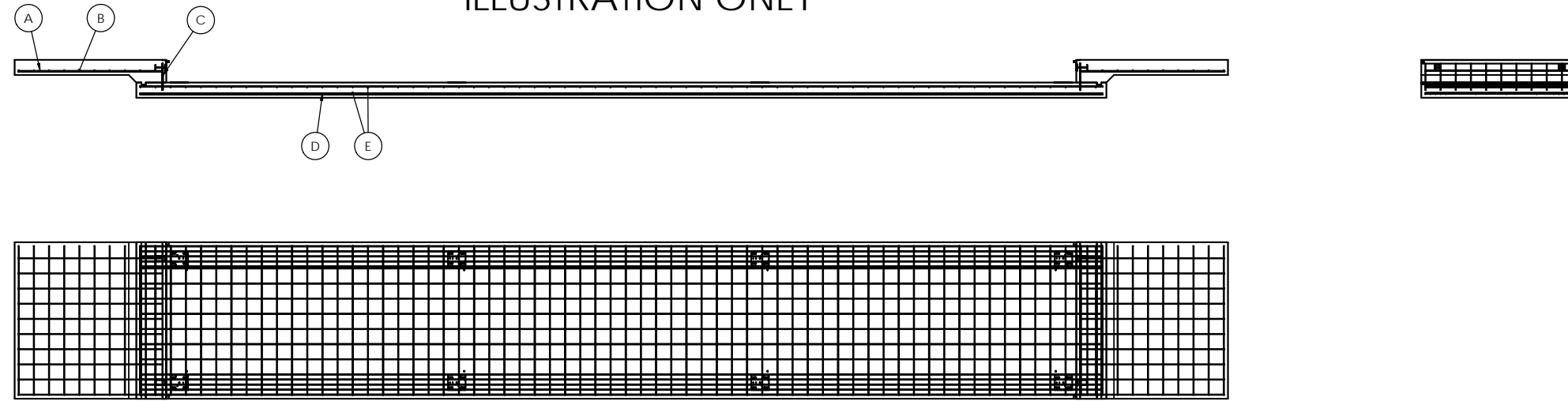
LTR		DATE	BY	ALL SHARP CORNERS AND EDGES TO BE BROKEN	EMERY WINSLOW SCALE COMPANY SEYMOUR, CT. U.S.A. TERRE HAUTE, IN.
THIS DRAWING IS THE PROPERTY OF EMERY WINSLOW SCALE COMPANY SEYMOUR, CONNECTICUT. THE INFORMATION CONTAINED HEREIN IS CONFIDENTIAL AND IS NOT TO BE USED OR DISSEMINATED TO OTHERS WITHOUT THE EXPRESS WRITTEN CONSENT OF EMERY WINSLOW SCALE COMPANY.		CHECKED:	DATE:	UNLESS OTHERWISE SPECIFIED DIMENSIONS ARE IN INCHES MACHINING FABRICATION XX: ±.01 XXX: ±.005	
DRAWN: S. JOHNSON		DATE: 07/24/2019		FOUNDATION, CONCRETE SLAB 60' X 10', CONCRETE DECK	
SCALE		FIRST USED ON	DRAWING NO.	REV.	
1:60			196626	A	

MATERIAL REQUIREMENTS

REBAR SCHEDULE				
BAL. NO.	QUANTITY	LENGTH (FT.-IN.)	DESCRIPTION	WEIGHT
A	20	9' 6"	# 4 @ 12 O.C.	127
B	20	9' 10"	# 4 @ 12 O.C.	131
C	20	1' 9 1/4"	# 4 @ 12 O.C.	24
D	30	63' 5 1/2"	# 4 AS SHOWN	1272
E	96	9' 10"	# 4 AS SHOWN	631
TOTAL WEIGHT OF REBAR (LBS.)				2184
TOTAL LENGTH OF REBAR (FT.)				3270

REBAR LAYOUT

PRELIMINARY NOT FOR
CONSTRUCTION FOR
ILLUSTRATION ONLY

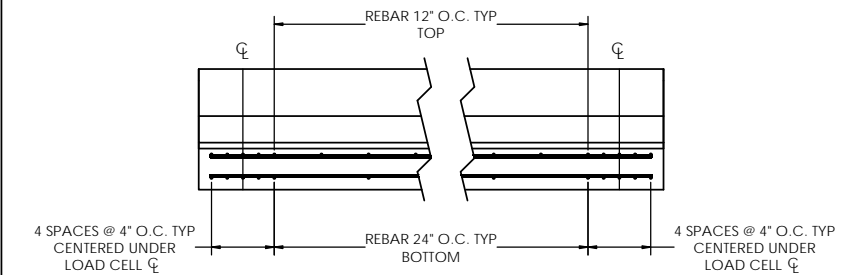
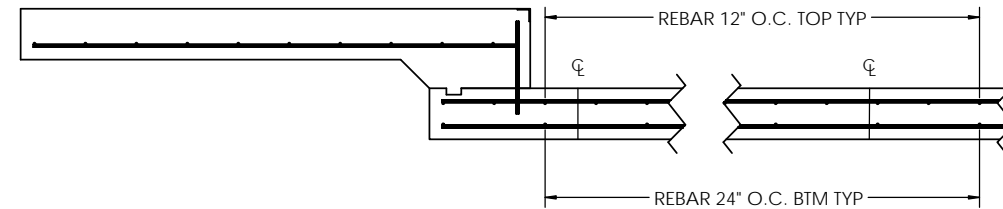
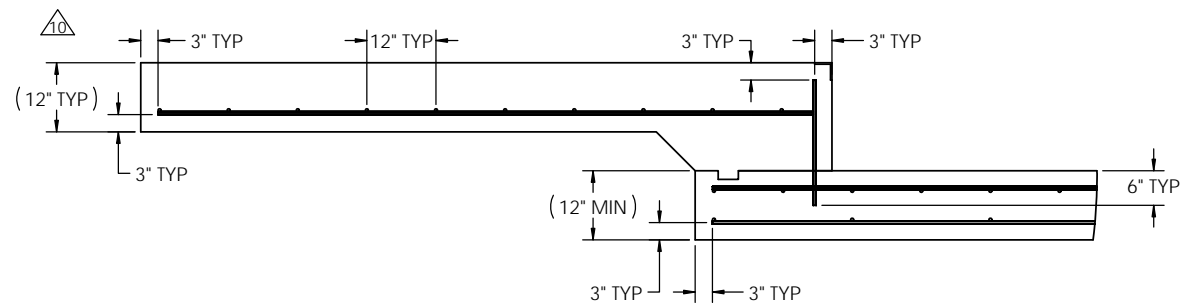


APPROACH STANDARD VIEW

REBAR SPACING LENGTH

REBAR SPACING WIDTH

NOTES: 1) LEFT AND RIGHT APPROACHES ARE MIRROR IMAGES OF EACH OTHER AND CONTAIN AN IDENTICAL PART LIST



LTR		DATE	BY	ALL SHARP CORNERS AND EDGES TO BE BROKEN	EMERY WINSLOW SCALE COMPANY SEYMOUR, CT. U.S.A. TERRE HAUTE, IN.
THIS DRAWING IS THE PROPERTY OF EMERY WINSLOW SCALE COMPANY SEYMOUR, CONNECTICUT. THE INFORMATION CONTAINED HEREIN IS CONFIDENTIAL AND IS NOT TO BE USED OR DISSEMINATED TO OTHERS WITHOUT THE EXPRESS WRITTEN CONSENT OF EMERY WINSLOW SCALE COMPANY.		CHECKED:	DATE:	UNLESS OTHERWISE SPECIFIED DIMENSIONS ARE IN INCHES MACHINING FABRICATION XX: ±.01 XXX: ±.005	FOUNDATION, CONCRETE SLAB 60' X 10', CONCRETE DECK
DRAWN: S. JOHNSON		DATE: 07/24/2019		SCALE	FIRST USED ON
ACAD FILENAME:		LAYERS USED:		1:192	DRAWING NO. 196626
				REV. A	