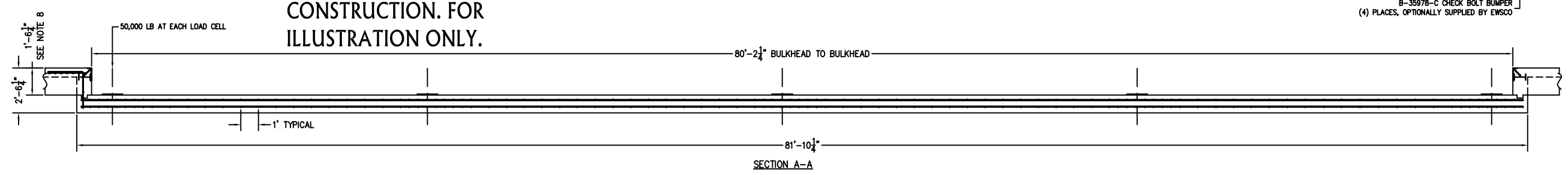


PRELIMINARY NOT FOR CONSTRUCTION. FOR ILLUSTRATION ONLY.

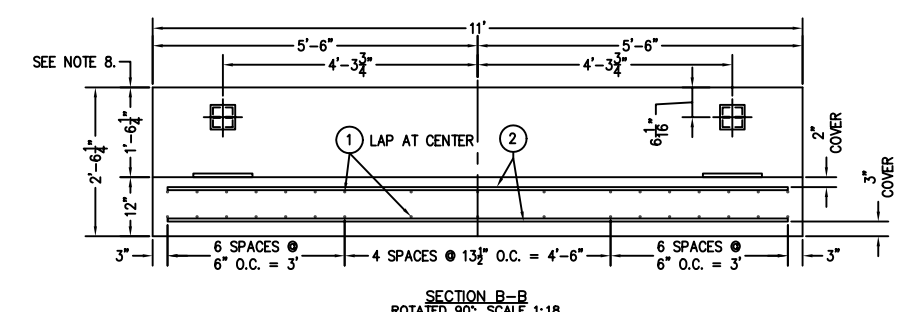
B-35979-A APPROACH COPING.
(2) PLACES, (OPTIONALLY SUPPLIED BY EWSCO)

B-35978-C CHECK BOLT BUMPER
(4) PLACES, (OPTIONALLY SUPPLIED BY EWSCO)

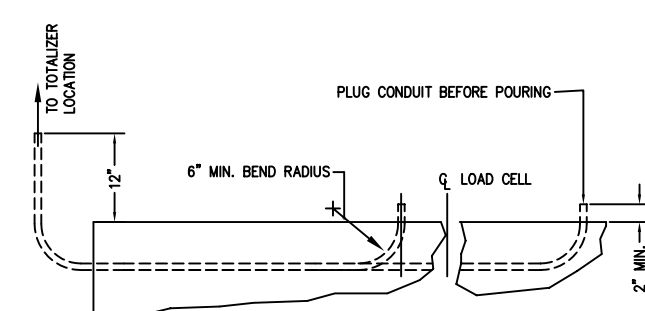
11' X 10' APPROACH APRON
#10" X 18.25' GRADE BEAM
AT PERIMETER



SECTION A-A

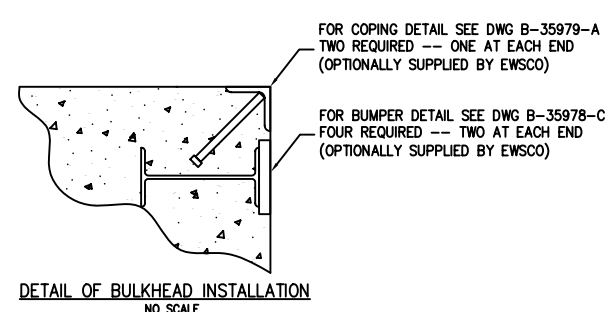


SECTION B-B
ROTATED 90°, SCALE 1:18



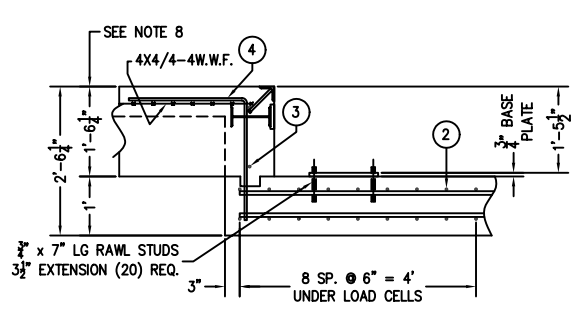
SECTION THRU SHORT
1/2" PVC CONDUIT (10) REQ.
SCALE 1:12
CONTINUOUS RUN FROM LOAD CELL TO TOTALIZER LOCATION

PRELIMINARY NOT FOR CONSTRUCTION. FOR ILLUSTRATION ONLY.



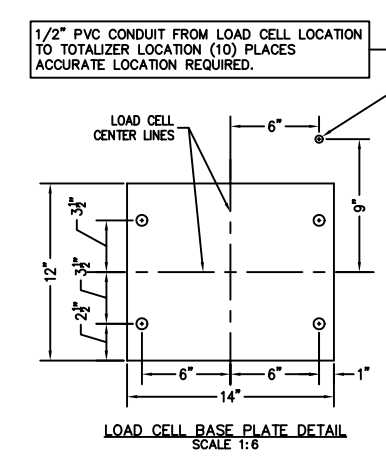
DETAIL OF BULKHEAD INSTALLATION
NO SCALE

PRELIMINARY NOT FOR CONSTRUCTION. FOR ILLUSTRATION ONLY.



SECTION C-C
SCALE 1:18

MATERIAL REQUIREMENTS		TOTAL WT. OF REBAR		5378
CONCRETE:				
APPROACHES	6.4 CU YD	4	22	4'-0"
FOUNDATION	34 CU YD	3	4	5
				10'-6"
REINFORCING:				
REBAR	5378 LB	2	204	5
4X4/4-4WWF	220 SQ FT	1	102	5
				28'-7"
				(26" MIN. OVERLAP)
				3041
PIECE NO.	QTY	BAR SIZE	LENGTH & DESCRIPTION	WT.



LOAD CELL BASE PLATE DETAIL
SCALE 1:6

PRELIMINARY NOT FOR CONSTRUCTION. FOR ILLUSTRATION ONLY.

- FOR NON COMMERCIAL SCALES PROVIDE AN APPROACH OF 2 FEET MINIMUM LENGTH WHICH IS LEVEL AND IN SAME PLANE AS THE PLATFORM.
- FOR COMMERCIAL SCALES CHECK WITH LOCAL WEIGHTS AND MEASURES OFFICIALS BEFORE STARTING CONSTRUCTIONS.
- NATIONAL INSTITUTE OF STANDARDS AND TECHNOLOGY (NIST) HANDBOOK 44 REQUIRES:
- A) A STRAIGHT APPROACH OF AT LEAST ONE-HALF THE LENGTH OF THE PLATFORM.
 - B) NOT LESS THAN 10 FEET OF APPROACH ADJACENT TO THE PLATFORM TO BE CONSTRUCTED OF CONCRETE OR SIMILAR DURABLE MATERIAL AND BE LEVEL AND IN THE SAME PLANE AS THE PLATFORM.
- NOTES:
1. CONCRETE STRENGTH: 4,000 PSI @ 28 DAYS
 - REINFORCING ROD: GRADE 60, 60,000 PSI, ASTM A615
 2. SOIL BEARING IS ASSUMED TO BE 2,000 LB/SQ FT. TO BE VERIFIED IN THE FIELD BY END USER.
 3. SLAB TO BE FLAT WITHIN 0.25" AND LEVEL WITHIN 0.13" PER 10 FT.
 4. APPROACH COPING(BULKHEAD) TO BE ON A COMMON PLANE WITHIN 0.25".
 5. TOP OF REBAR MUST BE PLACED TO CLEAR THE ANCHOR BOLTS. ANCHOR BOLTS ARE TO BE INSTALLED AFTER FOUNDATION HAS CURED.
 6. SEE SPEC. A499-364-2 FOR ON SITE SUBSURFACE CONDITIONS.
 7. THE LENGTH FOR REBAR NO. 1 IS MINIMUM FOR 102 PIECES LAPPED. LONGER LAPS AND/OR PIECES MAY BE USED. MINIMUM LAP IS 26".
 8. BASE PLATES ARE NOT GROUTED. IF GROUTING IS REQUIRED ADD GROUT THICKNESS TO APPROACH DEPTH SHOWN.

FULL SIZE PLOT D-24X36

ALL SHARP CORNERS AND EDGES TO BE BROKEN				EMERY WINSLOW SCALE COMPANY SEYMOUR, CT U.S.A TERRE HAUTE, IN.	
UNLESS OTHERWISE SPECIFIED DIMENSIONS ARE IN INCHES				MACHINING FABRICATION ±.01 ±.005	
THIS DRAWING IS THE PROPERTY OF EMERY WINSLOW SCALE COMPANY SEYMOUR, CONNECTICUT. THE INFORMATION CONTAINED HEREIN IS CONFIDENTIAL AND IS NOT TO BE USED OR DISSEMINATED TO OTHERS WITHOUT THE EXPRESS WRITTEN CONSENT OF EMERY WINSLOW SCALE COMPANY.				DRAWN CEM DATE 11/04/08 CHECKED DATE ACAD FILENAME: T02906 LAYERS USED: ALL	
LTR	REVISION	DATE	BY	SCALE	FIRST USED ON
				1:36	DRAWING NO. D-72763
				REV.	