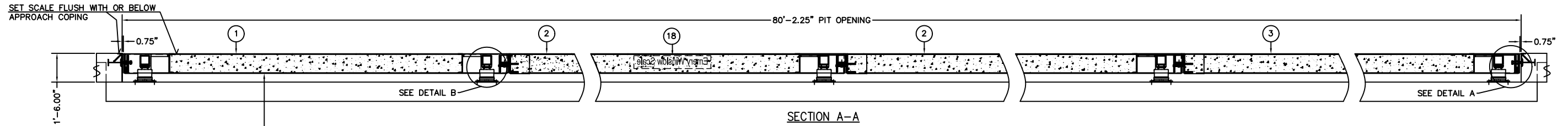
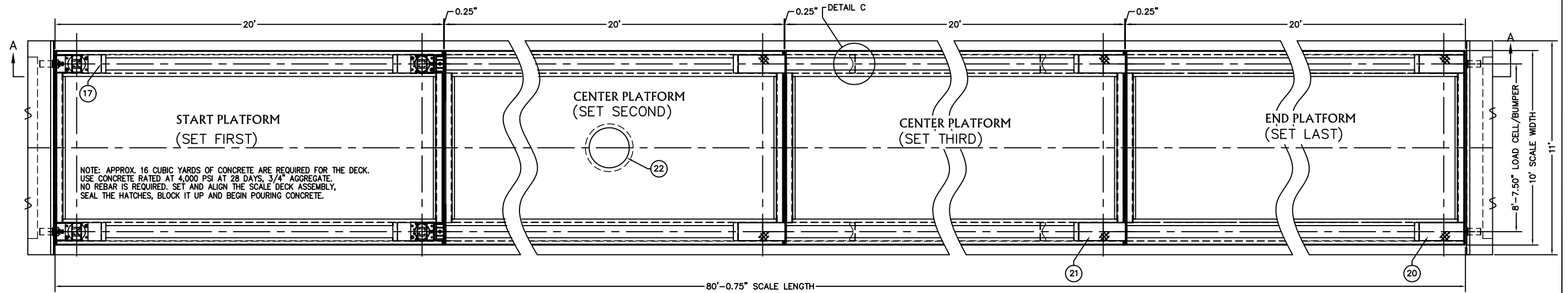


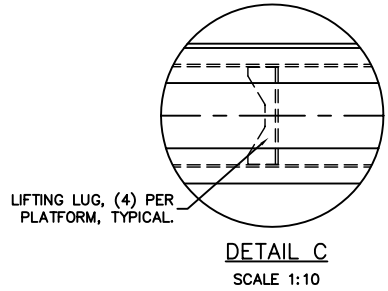
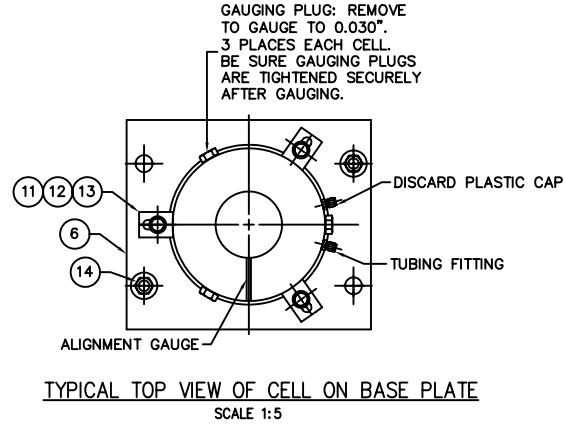
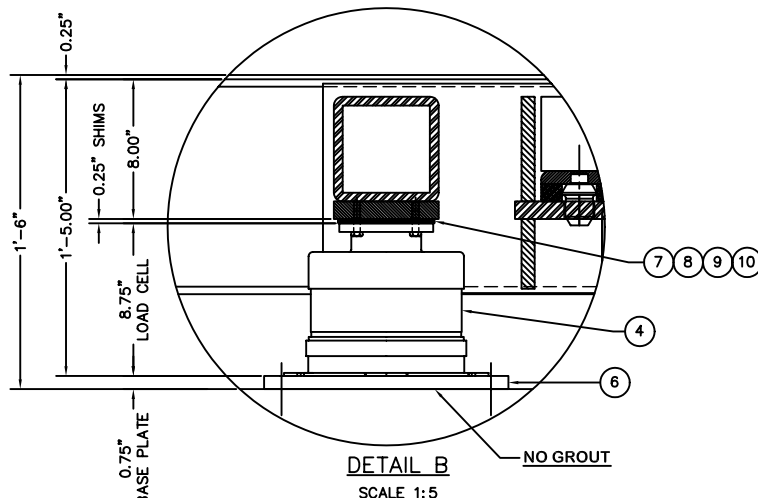
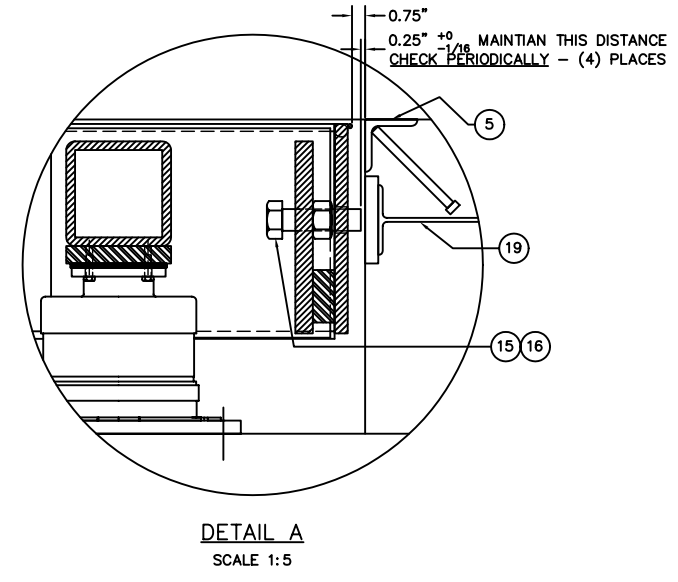
PRELIMINARY NOT FOR CONSTRUCTION. FOR ILLUSTRATION ONLY.

ITEM NO.	DESCRIPTION	QTY	MATERIAL	UNIT WT.	PART NO.	SIZE	WT.	ITEM NO.	DESCRIPTION	QTY	MATERIAL	UNIT WT.	PART NO.	SIZE	WT.
1	START PLATFORM	1	SEE ASS'Y	TBD	TBD		TBD	12	HHCS	30	SS	-		0.50-13UNC X 1.25	-
2	CTR PLATFORM	2	SEE ASS'Y	TBD	TBD		TBD	13	MS FLAT WASHER	30	SS	-		FOR 0.5000, ONE PER CLAMP	-
3	END PLATFORM	1	SEE ASS'Y	TBD	TBD		TBD	14	ANCHOR BOLT	20	ASTM A36	-	#6954	0.750 X 5.25 RAWL-POWER OR EQ.	-
4	LOAD CELL	10	SEE ASS'Y	63.00	D-29547-2	136-75-CH; NTEP NP. 88-239-P	630	15	HHCS	4	GR. 8	-		1.25-7UNC X 4.50 FULL THREAD, ZN PL	-
5	APPROACH COPING	2	SEE ASS'Y	84.00	B-35979-A	OPTIONALLY SUPPLIED BY EWSCO	168	16	TRI-LOCK NUT	4	GR. 2H	-		1.25-7UNC, ZN PL	-
6	BASE PLATE	10	ASTM A36	35.70	B-35931-D		357	17	SERIAL NUMBER PLATE	1	SS	-	B-34821-D		-
7	CENTERING RING	10	A/R	1.50	B-29871-E		15	18	EWSCO DECAL	2	-	-	A-35412-A	8.00 X 48.00	-
8	SHIM	30	SS	0.50	A-29869-1-D	0.06 THICK	15	19	CHECK BOLT BUMPER	4	SEE ASS'Y	10.00	B-35978-C	OPTIONALLY SUPPLIED BY EWSCO	40
9	SHIM	20	SS	0.30	A-29869-2-D	0.03 THICK	6	20	END COVER PLATE	5	ASTM A36	51	B-72985		255
10	HHCS	40	SS	-	-	0.375-13UNC X 1.25	-	21	CENTER COVER PLATE	5	ASTM A36	54	B-72986		270
11	CLAMP	30	CS, ZN PL	-	A-29870-2-B		-	22	*MANHOLE	A/R	ASTM A36	-	B-71041	OPTIONALLY SUPPLIED BY EWSCO	-

*REQUIRES A SPECIALLY REINFORCED PLATFORM TO ACCEPT A MANHOLE.



SHORE UP DECK AT MID-SPAN UNTIL CONCRETE CURES. USE HARDWOOD BLOCKS UNDERNEATH THE OUTSIDE WIDE FLANGE BEAMS, EIGHT (8) BLOCKS REQUIRED, APPROXIMATELY 16" LONG TO SPAN THE TWO OUTSIDE BEAMS AND AS REQUIRED TO REACH GROUND.



ATTENTION:
SEE NOTE 1 ON INSTALLATION
DRAWING # D-72974

FOR NON COMMERCIAL SCALES PROVIDE AN APPROACH OF 2 FEET MINIMUM LENGTH WHICH IS LEVEL AND IN SAME PLANE AS THE PLATFORM.
FOR COMMERCIAL SCALES CHECK WITH LOCAL WEIGHTS AND MEASURES OFFICIALS BEFORE STARTING CONSTRUCTIONS.
NATIONAL INSTITUTE OF STANDARDS AND TECHNOLOGY (NIST) HANDBOOK 44 REQUIRES:
A) A STRAIGHT APPROACH OF AT LEAST ONE-HALF THE LENGTH OF THE PLATFORM.
B) NOT LESS THAN 10 FEET OF APPROACH ADJACENT TO THE PLATFORM TO BE CONSTRUCTED OF CONCRETE OR SIMILAR DURABLE MATERIAL AND BE LEVEL AND IN THE SAME PLANE AS THE PLATFORM.
NOTE: 16 CUBIC YARDS OF CONCRETE ARE REQUIRED FOR THE DECK.
DRAWING REFERENCES:
D-73073 SLAB FOUNDATION
D-73074 ALTERNATE FOUNDATION
D-72974 INSTALLATION INSTRUCTIONS
B-33069-3-G 5 SECTION TUBING DIAGRAM
NTEP NO. 89-185PA3
CLC = 58,000 LB CLASS III

ALL SHARP CORNERS AND EDGES TO BE BROKEN				EMERY WINSLOW SCALE COMPANY SEYMOUR, CT U.S.A. TERRE HAUTE, IN.			
UNLESS OTHERWISE SPECIFIED DIMENSIONS ARE IN INCHES				MACHINING FABRICATION			
±.001				±.13			
THIS DRAWING IS THE PROPERTY OF EMERY WINSLOW SCALE COMPANY SEYMOUR, CONNECTICUT. THE INFORMATION CONTAINED HEREIN IS CONFIDENTIAL AND IS NOT TO BE USED OR DISSEMINATED TO OTHERS WITHOUT THE EXPRESS WRITTEN CONSENT OF EMERY WINSLOW SCALE COMPANY.				DRAWN CEM DATE 08/05/09			
CHECKED DATE				SCALE FIRST USED ON DRAWING NO. REV.			
ACAD FILENAME: T03215				1:30 D-73072 A			
LAYERS USED: ALL							

FULL SIZE PLOT D-24X36