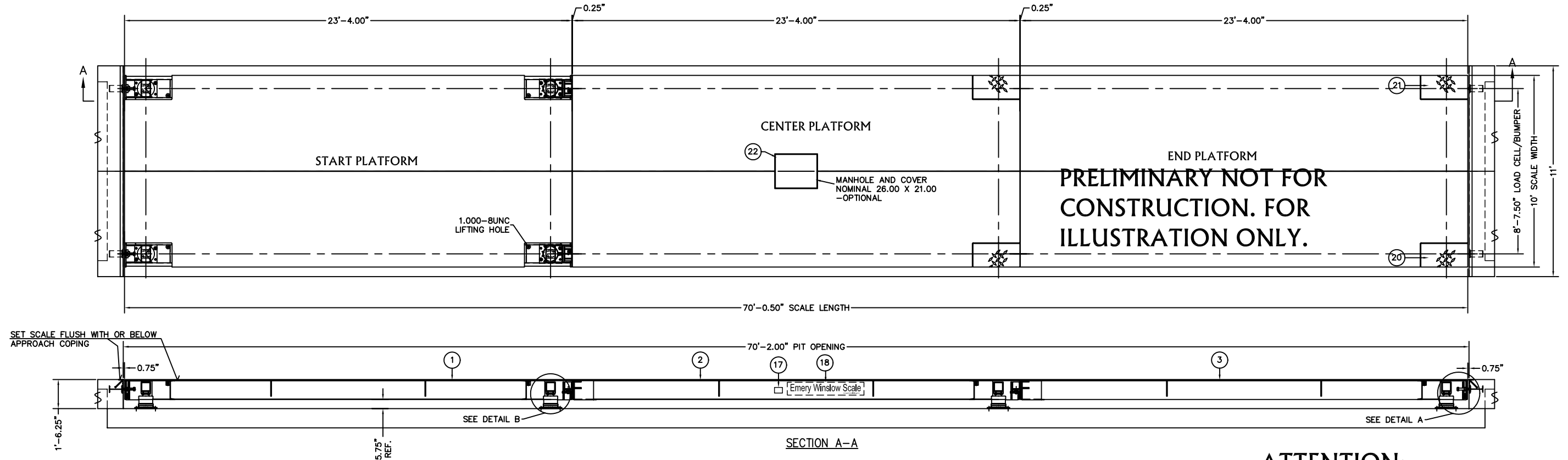


| DECK PLATE THICKNESS CHART |       |          |       |                         |                          |                       |
|----------------------------|-------|----------|-------|-------------------------|--------------------------|-----------------------|
| DASH NO.                   | A     | B        | C     | ITEM 1<br>START PL. WT. | ITEM 2<br>CENTER PL. WT. | ITEM 3<br>END PL. WT. |
|                            | 1/4"  | 1'-5.25" | 0.25" | 8114                    | 7954                     | 8020                  |
| -1                         | 5/16" | 1'-5.31" | 0.19" | 8771                    | 8611                     | 8677                  |
| -2                         | 3/8"  | 1'-5.38" | 0.13" | 9427                    | 9267                     | 9333                  |

**PRELIMINARY NOT FOR  
CONSTRUCTION. FOR  
ILLUSTRATION ONLY.**

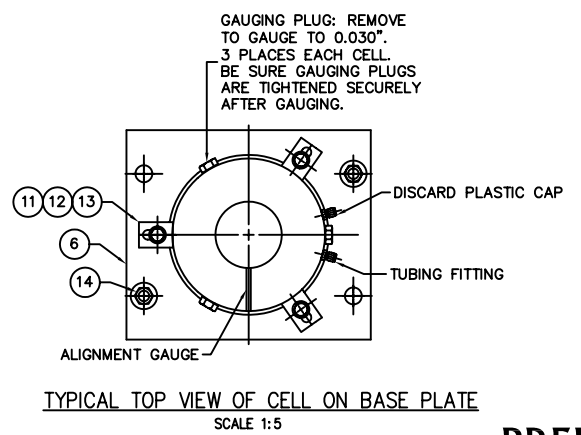
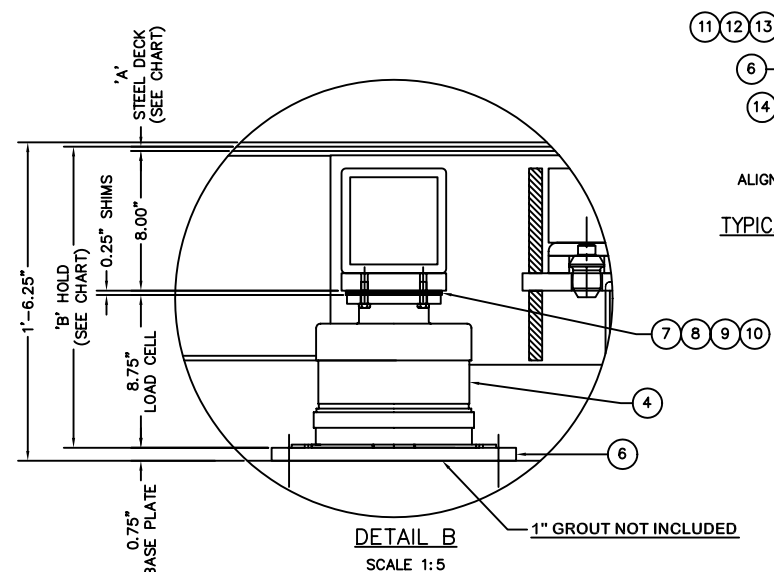
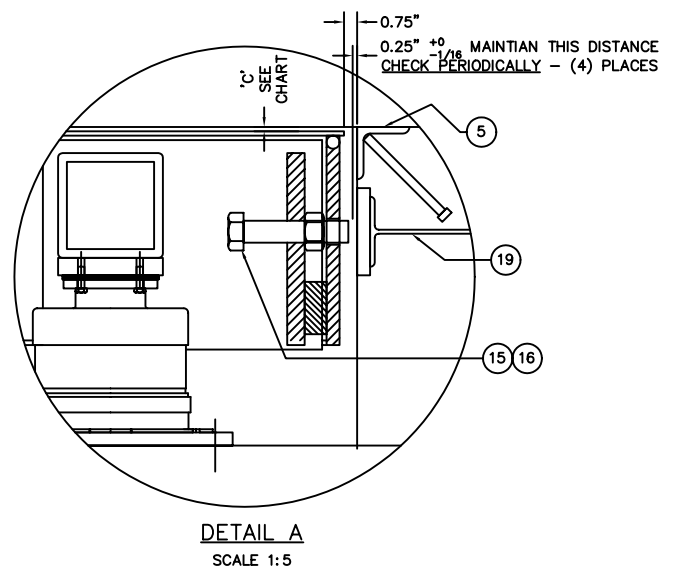
| ITEM NO. | DESCRIPTION     | QTY | MATERIAL  | UNIT WT.  | PART NO.    | SIZE                         | WT.       | ITEM NO. | DESCRIPTION         | QTY | MATERIAL  | UNIT WT. | PART NO.  | SIZE                                | WT. |
|----------|-----------------|-----|-----------|-----------|-------------|------------------------------|-----------|----------|---------------------|-----|-----------|----------|-----------|-------------------------------------|-----|
| 1        | START PLATFORM  | 1   | SEE ASS'Y | see chart | D-72135-A   |                              | see chart | 12       | HHCS                | 24  | SS        | -        |           | 0.50-13UNC X 1.25                   | -   |
| 2        | CTR PLATFORM    | 1   | SEE ASS'Y | see chart | D-72136-A   |                              | see chart | 13       | MS FLAT WASHER      | 24  | SS        | -        |           | FOR 0.5006, ONE PER CLAMP           | -   |
| 3        | END PLATFORM    | 1   | SEE ASS'Y | see chart | D-72137-A   |                              | see chart | 14       | ANCHOR BOLT         | 16  | ASTM A36  | -        | #7446     | 0.750 X 7.00                        | -   |
| 4        | LOAD CELL       | 8   | SEE ASS'Y | 63.00     | D-29547-2   | 136-75-CH; NTEP NP. 88-239-P | 504       | 15       | HHCS                | 4   | GR. 8     | -        |           | 1.25-7UNC X 6.00 FULL THREAD, ZN PL | -   |
| 5        | APPROACH COPING | 2   | SEE ASS'Y | 84.00     | B-35979-A   | OPTIONALLY SUPPLIED BY EWSCO | 168       | 16       | TRI-LOCK NUT        | 4   | GR. 2H    | -        |           | 1.25-7UNC, ZN PL                    | -   |
| 6        | BASE PLATE      | 8   | ASTM A36  | 35.70     | B-35931-D   |                              | 286       | 17       | SERIAL NUMBER PLATE | 1   | SS        | -        | B-34821-D |                                     | -   |
| 7        | CENTERING RING  | 8   | A/R       | 1.50      | B-29871-E   |                              | 12        | 18       | EWSCO DECAL         | 2   | -         | -        | A-35412-A | 8.00 X 48.00                        | -   |
| 8        | SHIM            | 24  | SS        | 0.50      | A-29869-1-D | 0.06 THICK                   | 12        | 19       | CHECK BOLT BUMPER   | 4   | SEE ASS'Y | 10.00    | B-35978-C | OPTIONALLY SUPPLIED BY EWSCO        | 40  |
| 9        | SHIM            | 16  | SS        | 0.30      | A-29869-2-D | 0.03 THICK                   | 5         | 20       | COVER PLATE, RIGHT  | 4   | ASTM A36  | -        | B-36465-B |                                     | -   |
| 10       | HHCS            | 32  | SS        | -         |             | 0.375-13UNC X 1.25           | -         | 21       | COVER PLATE, LEFT   | 4   | ASTM A36  | -        | B-36466-B |                                     | -   |
| 11       | CLAMP           | 24  | CS, ZN PL | -         | A-29870-2-B |                              | -         | 22       | MANHOLE             | A/R | ASTM A36  | -        | B-36488   | OPTIONALLY SUPPLIED BY EWSCO        | -   |



**PRELIMINARY NOT FOR  
CONSTRUCTION. FOR  
ILLUSTRATION ONLY.**

**PRELIMINARY NOT FOR  
CONSTRUCTION. FOR  
ILLUSTRATION ONLY.**

**ATTENTION:  
SEE NOTE 1 ON INSTALLATION  
DRAWING # D-36118**



**PRELIMINARY NOT FOR  
CONSTRUCTION. FOR  
ILLUSTRATION ONLY.**

FOR NON COMMERCIAL SCALES PROVIDE AN APPROACH OF 2 FEET MINIMUM LENGTH WHICH IS LEVEL AND IN SAME PLANE AS THE PLATFORM.  
FOR COMMERCIAL SCALES CHECK WITH LOCAL WEIGHTS AND MEASURES OFFICIALS BEFORE STARTING CONSTRUCTIONS.  
NATIONAL INSTITUTE OF STANDARDS AND TECHNOLOGY (NIST) HANDBOOK 44 REQUIRES:  
A) A STRAIGHT APPROACH OF AT LEAST ONE-HALF THE LENGTH OF THE PLATFORM.  
B) NOT LESS THAN 10 FEET OF APPROACH ADJACENT TO THE PLATFORM TO BE CONSTRUCTED OF CONCRETE OR SIMILAR DURABLE MATERIAL AND BE LEVEL AND IN THE SAME PLANE AS THE PLATFORM.

DRAWING REFERENCES:  
D-72581-A SLAB FOUNDATION  
D-72582-B ALTERNATE FOUNDATION  
D-36118-D INSTALLATION INSTRUCTIONS  
B-33069-G 4 SECTION TUBING DIAGRAM  
NTEP NO. 89-185PA3  
CLC = 58,000 LB CLASS III

|                                                                                                                                                                                                                                                        |               |       |     |                                                                    |               |                      |          |
|--------------------------------------------------------------------------------------------------------------------------------------------------------------------------------------------------------------------------------------------------------|---------------|-------|-----|--------------------------------------------------------------------|---------------|----------------------|----------|
| ALL SHARP CORNERS AND EDGES TO BE BROKEN                                                                                                                                                                                                               |               |       |     | EMERY WINSLOW SCALE COMPANY<br>SEYMOUR, CT U.S.A. TERRE HAUTE, IN. |               |                      |          |
| B                                                                                                                                                                                                                                                      | REV'S UPDATED | 11/08 | CEM | UNLESS OTHERWISE SPECIFIED DIMENSIONS ARE IN INCHES                |               |                      |          |
| A                                                                                                                                                                                                                                                      | REV'S UPDATED | 10/08 | CEM | MACHINING                                                          | FABRICATION   |                      |          |
| LTR                                                                                                                                                                                                                                                    | REVISION      | DATE  | BY  | DATE                                                               | DATE          |                      |          |
| THIS DRAWING IS THE PROPERTY OF EMERY WINSLOW SCALE COMPANY SEYMOUR, CONNECTICUT. THE INFORMATION CONTAINED HEREIN IS CONFIDENTIAL AND IS NOT TO BE USED OR DISSEMINATED TO OTHERS WITHOUT THE EXPRESS WRITTEN CONSENT OF EMERY WINSLOW SCALE COMPANY. |               |       |     | DRAWN                                                              | CEM           | DATE                 | 05/23/08 |
| SCALE                                                                                                                                                                                                                                                  |               |       |     | 1:30                                                               | FIRST USED ON | DRAWING NO. D-72580- |          |
| LAYERS USED:                                                                                                                                                                                                                                           |               |       |     | ALL                                                                | REV.          | B                    |          |