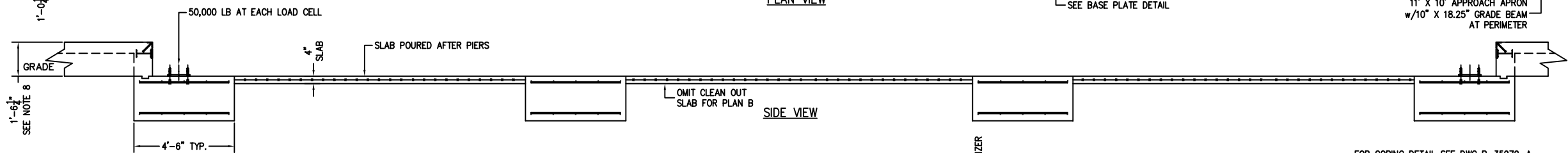


PLAN VIEW

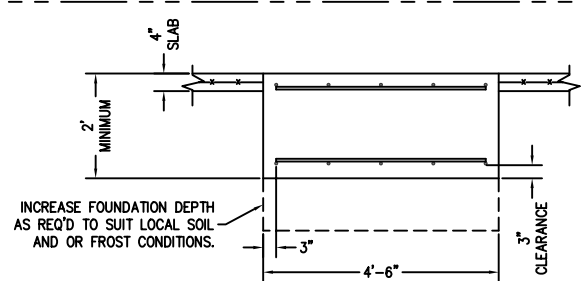


SIDE VIEW

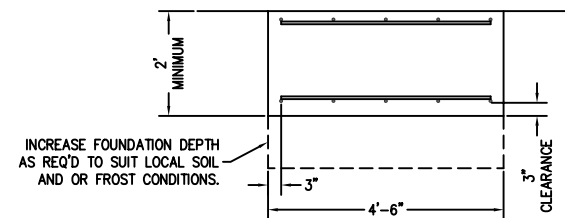
PRELIMINARY NOT FOR CONSTRUCTION. FOR ILLUSTRATION ONLY.

PLAN A

PLAN B

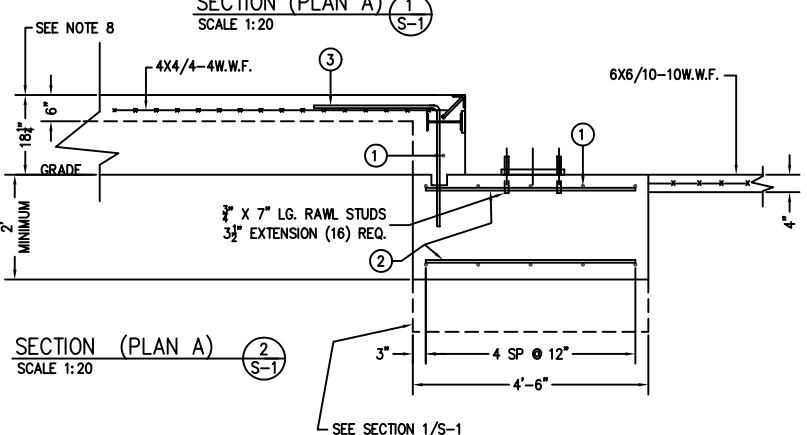


SECTION (PLAN A) 1
SCALE 1:20

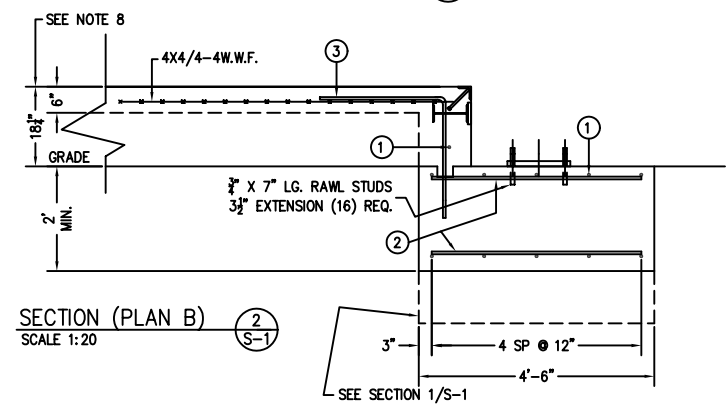


SECTION (PLAN B) 1
SCALE 1:20

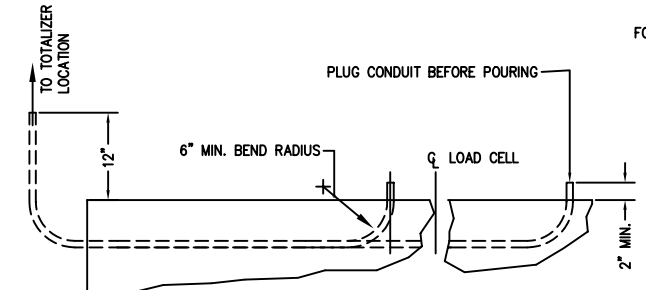
PRELIMINARY NOT FOR CONSTRUCTION. FOR ILLUSTRATION ONLY.



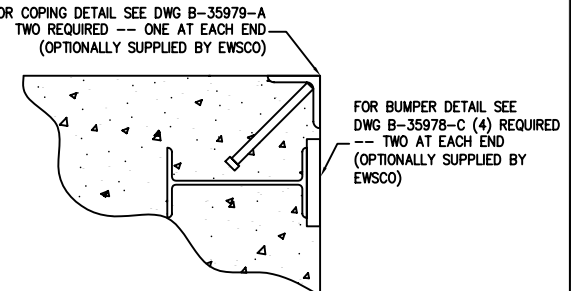
SECTION (PLAN A) 2
SCALE 1:20



SECTION (PLAN B) 2
SCALE 1:20

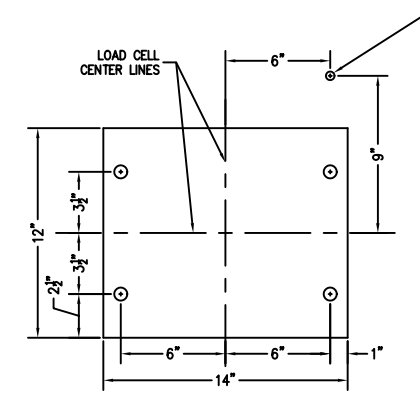


SECTION THRU SHORT 1/2" PVC CONDUIT (8) REQ.
SCALE 1:12
CONTINUOUS RUN FROM LOAD CELL TO TOTALIZER LOCATION



DETAIL OF BULKHEAD INSTALLATION
NO SCALE

1/2" PVC CONDUIT FROM LOAD CELL LOCATION TO TOTALIZER LOCATION (8) PLACES ACCURATE LOCATION REQUIRED.



LOAD CELL BASE PLATE DETAIL
SCALE 1:5

FOR NON COMMERCIAL SCALES PROVIDE AN APPROACH OF 2 FEET MINIMUM LENGTH WHICH IS LEVEL AND IN SAME PLANE AS THE PLATFORM.

FOR COMMERCIAL SCALES CHECK WITH LOCAL WEIGHTS AND MEASURES OFFICIALS BEFORE STARTING CONSTRUCTIONS. NATIONAL INSTITUTE OF STANDARDS AND TECHNOLOGY (NIST) HANDBOOK H44 REQUIRES:
A.) A STRAIGHT APPROACH OF AT LEAST ONE-HALF THE LENGTH OF THE PLATFORM.
B.) NOT LESS THAN 10 FEET OF APPROACH ADJACENT TO THE PLATFORM TO BE CONSTRUCTED OF CONCRETE OR SIMILAR DURABLE MATERIAL AND BE LEVEL AND IN THE SAME PLANE AS THE PLATFORM.

- NOTES:
1. CONCRETE STRENGTH: $f'_c = 4,000$ PSI @ 28 DAYS
REINFORCING ROD: $F_y = 60,000$ PSI, ASTM A615, GRADE 60
 2. PIERS AS SHOWN ARE SIZED FOR 3,000 LB/SQ.FT.
 3. THE CONCRETE AND REBAR SPECIFICATIONS SHOWN ARE FOR A NATIONWIDE RANGE OF CONDITIONS AND MAY NEED MODIFICATION FOR LOCAL CONDITIONS.
 4. APPROACH COPING(BULKHEAD) TO BE ON A COMMON PLANE WITHIN 1/4".
 5. TOP OF REBAR MUST BE PLACED TO CLEAR THE ANCHOR BOLTS. ANCHOR BOLTS ARE TO BE INSTALLED AFTER FOUNDATION HAS CURED.
 6. PIERS MUST BE INSTALLED WITH EXTREME CARE AND MUST NOT BE ALLOWED TO SHIFT.
 7. THESE PLANS ARE NOT SUITABLE WHERE SOIL MIGRATION IS AN ISSUE. SOIL MUST BE STABLE AND NOT SUBJECT TO FLOODING OR OTHER POSSIBLE CAUSES OF SOIL MIGRATION THAT MAY RESULT IN SHIFTING OF THE PIERS.
 8. BASE PLATES ARE NOT GROUTED. IF GROUTING IS REQUIRED ADD GROUT THICKNESS TO APPROACH DEPTH SHOWN.

FULL SIZE PLOT D-24X36

MATERIAL REQUIREMENTS		TOTAL WT. OF REBAR		875
PLAN A:				
CONCRETE:				
APPROACHES	6.4 CU. YDS			
FOUNDATION 'A'	21 CU. YDS			
REINFORCING:				
REBAR 'A'	875			
4X4/4-4WWF	220 SQ FT			
6X6/10-10WWF	483 SQ FT			
PIECE NO.	QTY	BAR SIZE	LENGTH & DESCRIPTION	WT.
3	22	4	4'-0" 2'-0"	59
2	80	5	4'-0"	334
1	44	5	10'-6"	482

MATERIAL REQUIREMENTS		TOTAL WT. OF REBAR		875
PLAN B:				
CONCRETE:				
APPROACHES	6.4 CU. YDS			
FOUNDATION 'B'	15 CU. YDS			
REINFORCING:				
REBAR 'B'	875			
4X4/4-4WWF	220 SQ FT			
PIECE NO.	QTY	BAR SIZE	LENGTH & DESCRIPTION	WT.
3	22	4	4'-0" 2'-0"	59
2	80	5	4'-0"	334
1	44	5	10'-6"	482

EMERY WINSLOW SCALE COMPANY		SEYMOUR, CT U.S.A. TERRE HAUTE, IN.	
ALL SHARP CORNERS AND EDGES TO BE BROKEN			
UNLESS OTHERWISE SPECIFIED DIMENSIONS ARE IN INCHES			
A	50,000 LB NOTE ADDED TO SIDE VIEW	11/08	GEM
LTR	REVISION	DATE	BY
THIS DRAWING IS THE PROPERTY OF EMERY WINSLOW SCALE COMPANY, SEYMOUR, CONNECTICUT. THE INFORMATION CONTAINED HEREIN IS CONFIDENTIAL AND IS NOT TO BE USED OR DISSEMINATED TO OTHERS WITHOUT THE EXPRESS WRITTEN CONSENT OF EMERY WINSLOW SCALE COMPANY.			
DRAWN	GEM	DATE	06/12/08
CHECKED	DATE		
ACAD FILENAME:	T02735		
LAYERS USED:	ALL		
SCALE	FIRST USED ON	DRAWING NO.	REV.
1:30		D-72593	A