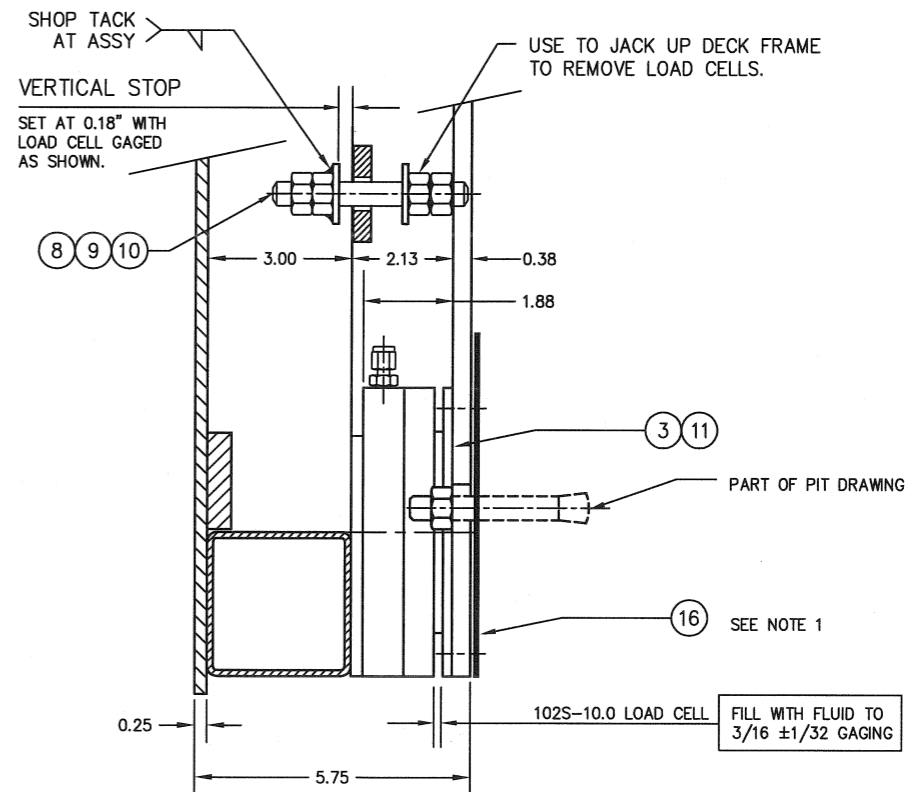
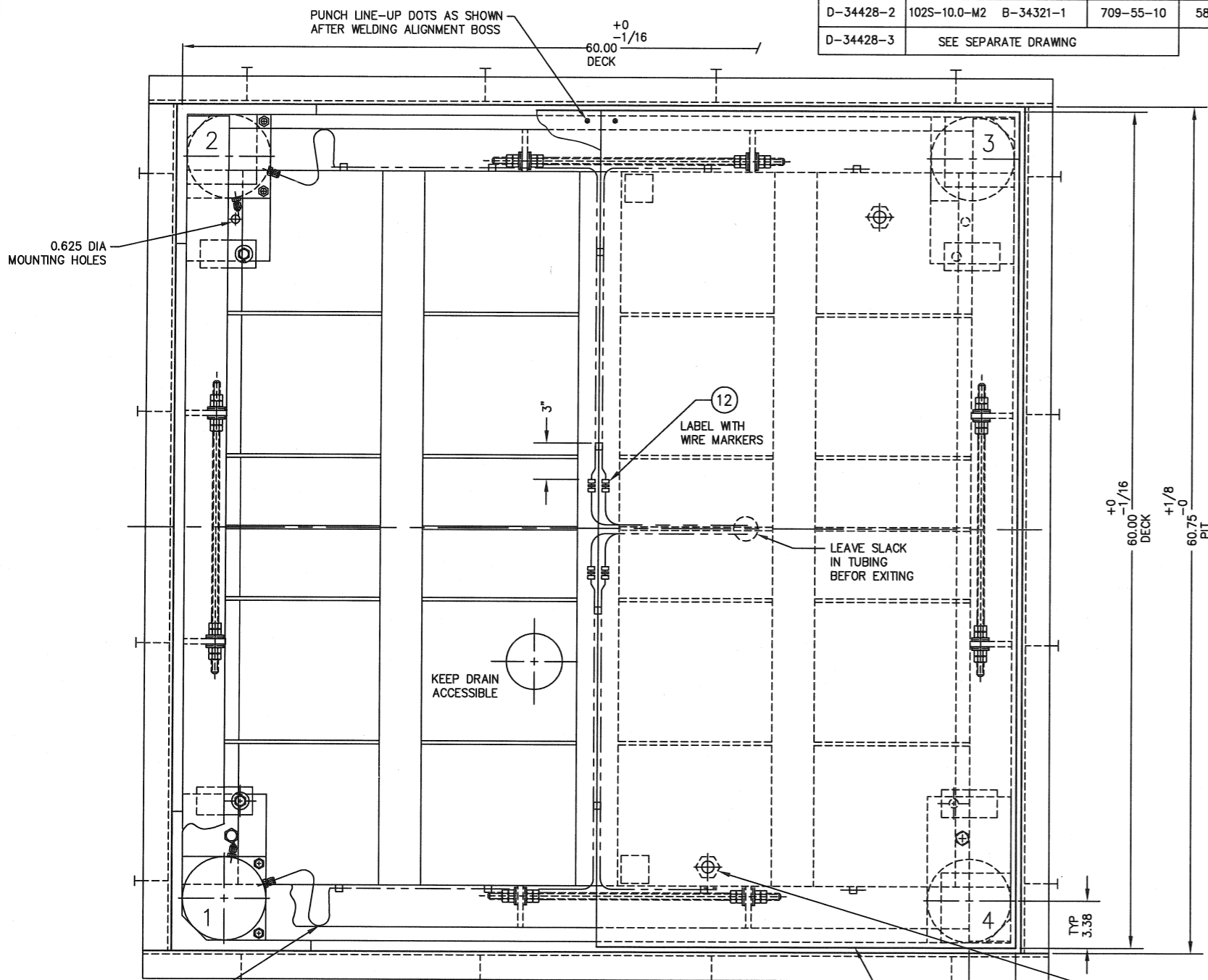
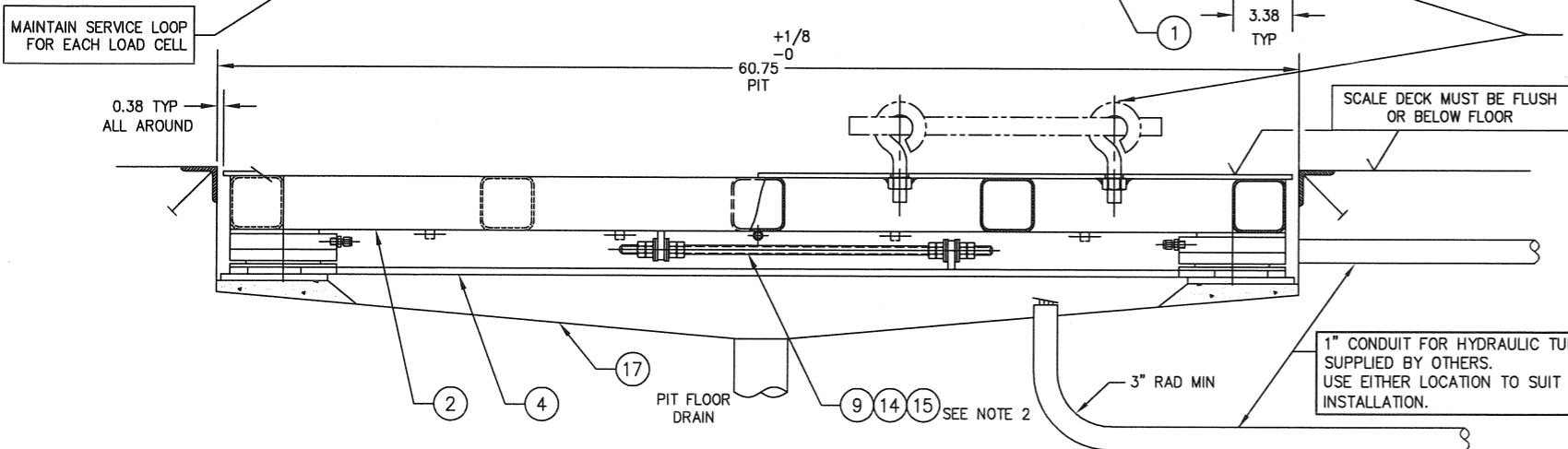


DASH NO.	LOAD CELL MODEL NO. (G)	SCALE MODEL NO.	DEAD WEIGHT	CAPACITY
D-34428-1	102S-10.0-M2 B-34321-1	709-55-5	509 LB.	5,000 LB 4,000 LB AXLE LOAD
D-34428-2	102S-10.0-M2 B-34321-1	709-55-10	587 LB.	10,000 LB 8,000 LB AXLE LOAD
D-34428-3	SEE SEPARATE DRAWING			

ITEM NO.	DESCRIPTION	QTY	MATERIAL	UNIT WT.	PART NO.	SIZE	WT.
1	REMOVABLE DECK	2	SS 304		B-32806-2, 0.25	(4 WAY SAFETY PLATE - OPTIONAL)	282
2	DECK FRAME	1	SS 304		D-35791-1		207
1	REMOVABLE DECK	2	SS 304		B-32806-2, 0.25	(4 WAY SAFETY PLATE - OPTIONAL)	282
2	DECK FRAME	1	SS 304		D-35791-2		285
3	LOAD CELL	4	SS 304	5	SEE TABLE	1.88 HEIGHT	20
4	BASE FRAME	1	SS 304		D-34430		99
5							
6							
7							
8	VERTICAL STOP THRD ROD	4	SS 304		0.500-20 UNF X 4.00		
9	HN	48	SS 304		0.500-20 UNF	5020HNSS	
10	FW	8	SS 304		0.500	50FWSS	
11	SHCS	8	SS 304		0.250-20 UNC-2A X 0.50	2520SHCS0050SS	
12	UNION	4	SS 316		SS-200-6	SWAGelok OR EQUAL	
13							
14	STAYBAR	4	SS 304		0.500-20 UNF X 20.00		
15	SPHERICAL WASHER	16	SS 304		0.500	A-34509	
16	SHIM	4	SS 304		0.06 X 6 X 7		
17	PIT ARRANGEMENT				D-34118		



**FOR REFERENCE ONLY**  
Not for Construction



- NOTES:
- ADD SHIMS AS REQUIRED UNDER SCALE BASE FRAME AND TACK WELD.
  - FACTORY ADJUSTED STAYBARS. (STAYBARS SHOULD BE ADJUSTED TO TURN FREELY WITH MINIMAL AXIAL MOVEMENT. NUTS ARE SET WITH REMOVABLE THREAD LOCK.)

ITEM	REVISION	DATE	BY
G	ITEM 2, D-35791-1 (FROM D-34428-1) WAS D-34428-1.	05/19/03	GMR
F	DASH -3 ADDED	11/28/01	CBM
E	CORNERS & ITEMS 8 & 14 MODIFIED	10/25/00	CBM
D	DECK ALIGNMENT PIN DELETED	6/22/98	JDS
C	OPTIONAL BASE PLATE REMOVED	12/96	JDS
B	VERTICAL STOP RELOCATED	9/95	JDS
A	D-34118 WAS D-32810, 0.500-20UNF WAS -13UNC	12/94	JDS

THIS DRAWING IS THE PROPERTY OF EMERY WINSLOW SCALE COMPANY SEYMOUR, CONNECTICUT. THE INFORMATION CONTAINED HEREIN IS CONFIDENTIAL AND IS NOT TO BE USED OR DISSEMINATED TO OTHERS WITHOUT THE EXPRESS WRITTEN CONSENT OF EMERY WINSLOW SCALE COMPANY.

DRAWN: JDS / DATE: 1/29/95  
CHECKED: / DATE: /  
ACAD FILENAME: AC00272  
LAYERS USED: 7,8,9,10,11

**EMERY WINSLOW SCALE COMPANY**  
SEYMOUR, CT U.S.A TERRE HAUTE, IN.

**SCALE ASSEMBLY**  
MODEL 709-55-  
REMOVABLE DECK

SCALE: 1:5  
FIRST USED ON: R  
DRAWING NO.: D-34428-  
REV.: G