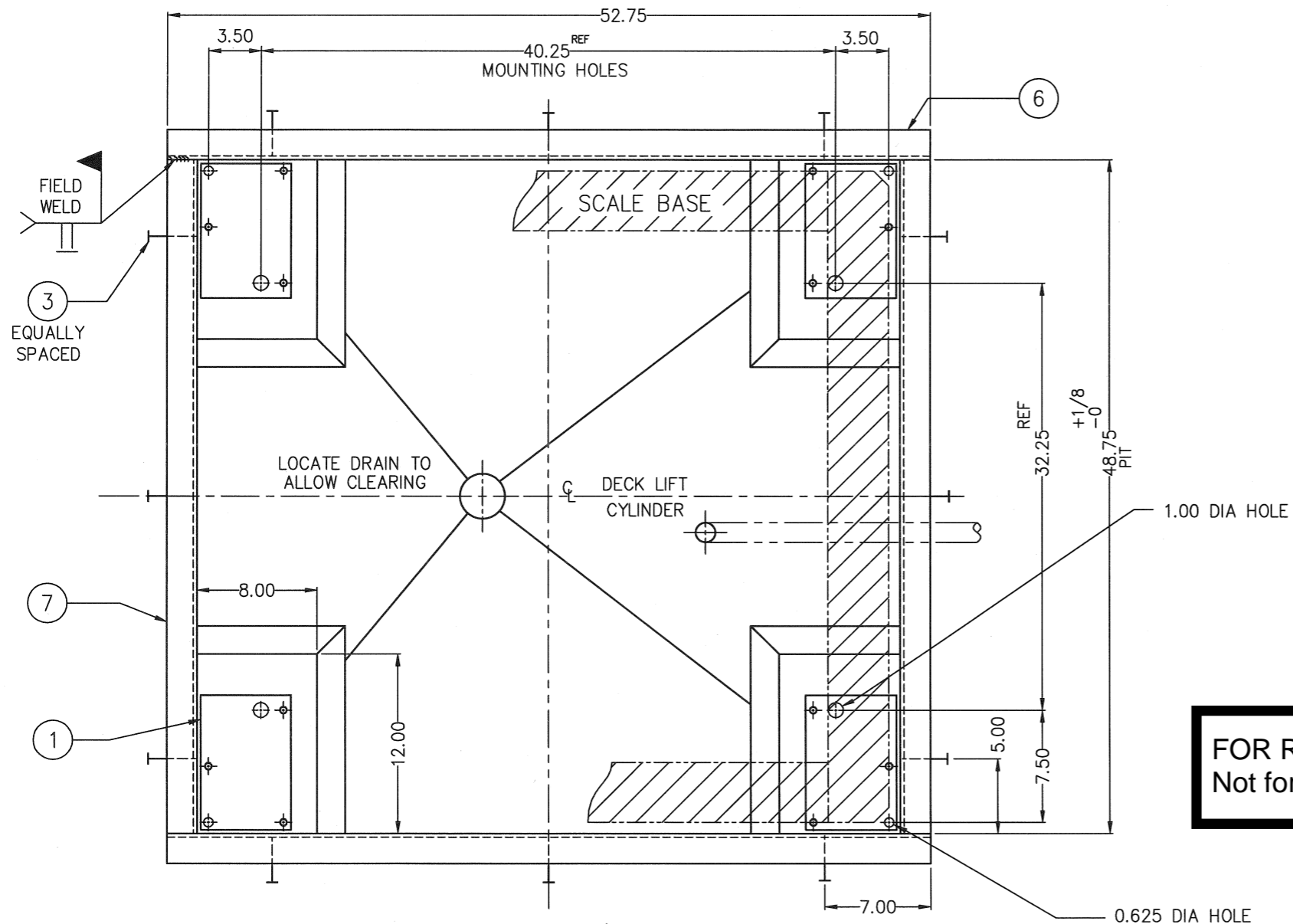


NOTES:

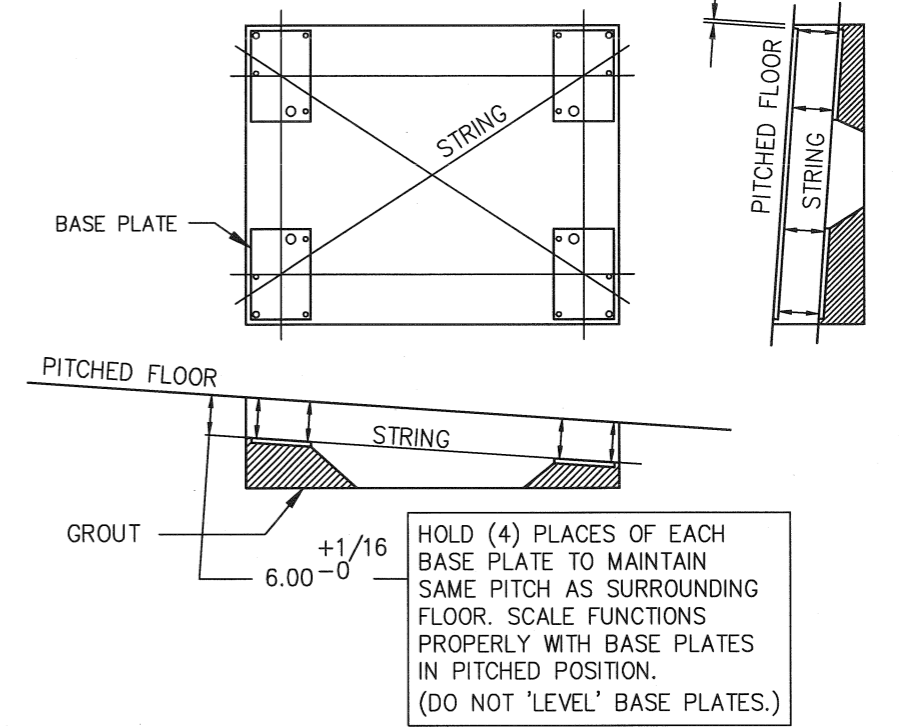
1. Install four (4) anchor bolts, item 4, as per manufacturers specification.
2. Set base plate item 1 to proper height and level as specified, using greased leveling screws. Remove plate and apply a layer of grout in plate area slightly higher than required. Bolt base plate down to preset screws, squeezing out excess grout. Double check height and level. Remove leveling screws after approximately 2 to 3 hours.
3. Place scale assembly into pit with removable deck installed. Check for even gap between decks and pit coping all around scale.
4. Remove decks and transfer drill holes for four (4) anchor bolts, item 4. Install anchor bolts as per manufacturer's specification.
5. Tighten anchor bolts.

ITEM NO.	DESCRIPTION	QTY	MATERIAL	UNIT WT.	PART NO.	SIZE	WT.
1	BASE PLATE	4	SS 304	7.65	B-33340	(0.38 X 6 X 9)	20.5
2	LEVELING SCREW	12	CS		0.500-13UNC X 4.00		
3	NELSON STUD	16	CS		101-053-003	0.50 X 4.13 X H4L	OPT
4	ANCHOR BOLT	8	SS 304		KB11304SS112-512		HILTI OR EQUAL OPT
5	GROUT (NON-SHRINKING)	A/R			FIVE STAR PRODUCTS, INC., FAIRFIELD, CT., 06430		OR EQUAL OPT
6	COPING	2	SS 304		2 X 2 X 0.25 X 52.75		OPT
7	COPING	2	SS 304		2 X 2 X 0.25 X 48.75		OPT

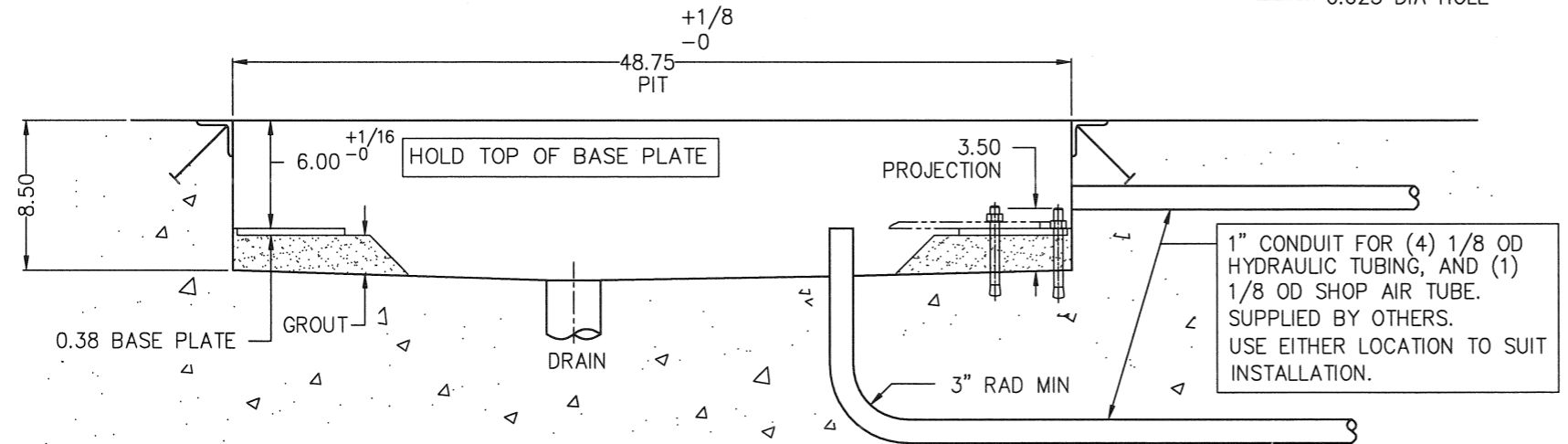
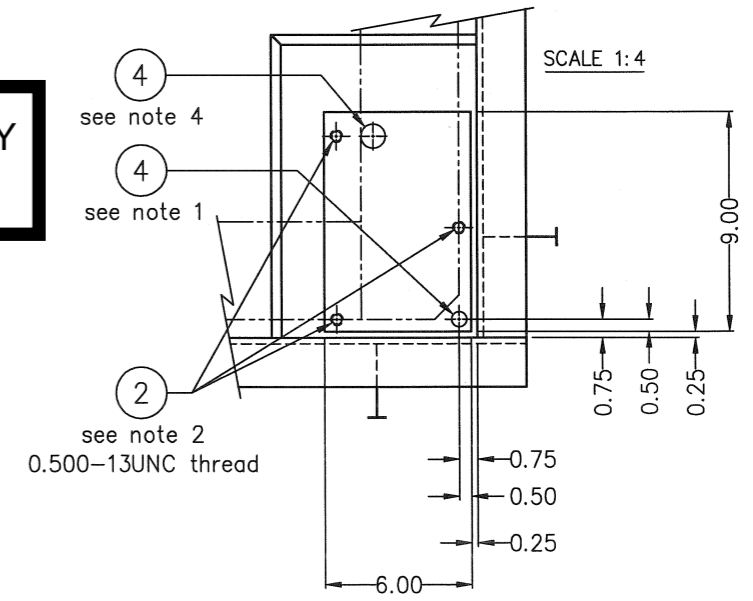
AVAILABLE AS AN OPTION = OPT



PITCHED FLOOR INSTALLATION



**FOR REFERENCE ONLY
Not for Construction**



EMERY WINSLOW SCALE COMPANY SEYMOUR, CT U.S.A TERRE HAUTE, IN.			
PIT ARRANGEMENT MODEL 709-44 WITH PNEUMATIC DECK LIFTING			
SCALE	FIRST USED ON	DRAWING NO.	REV.
NOT TO SCALE		D-34591	B