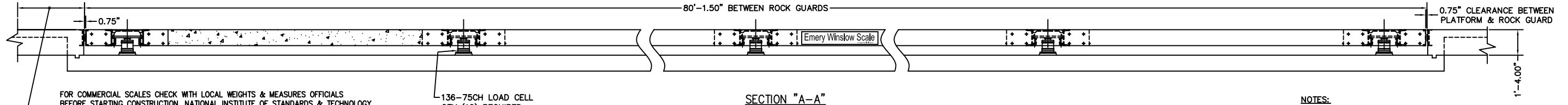
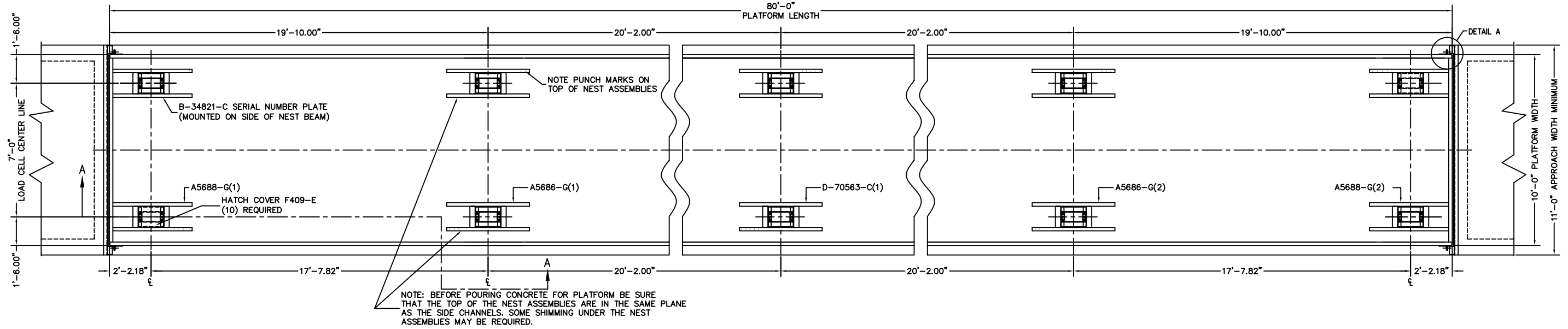
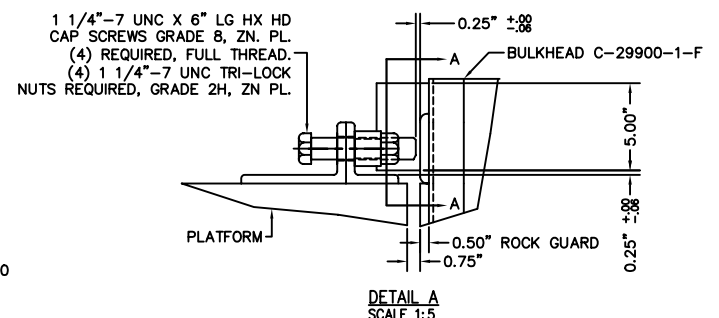
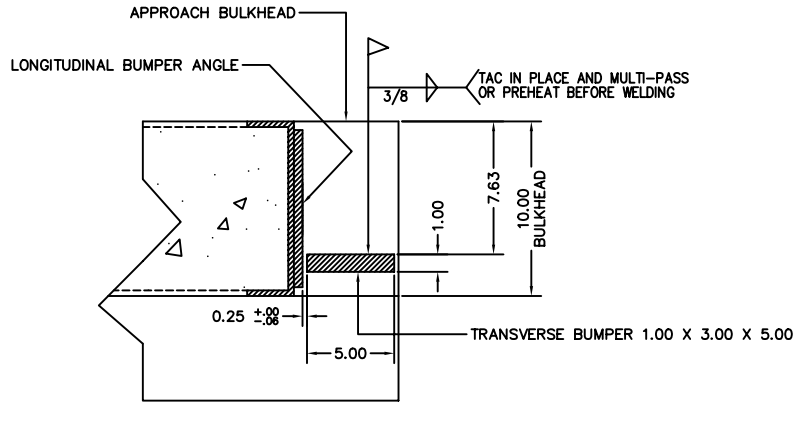
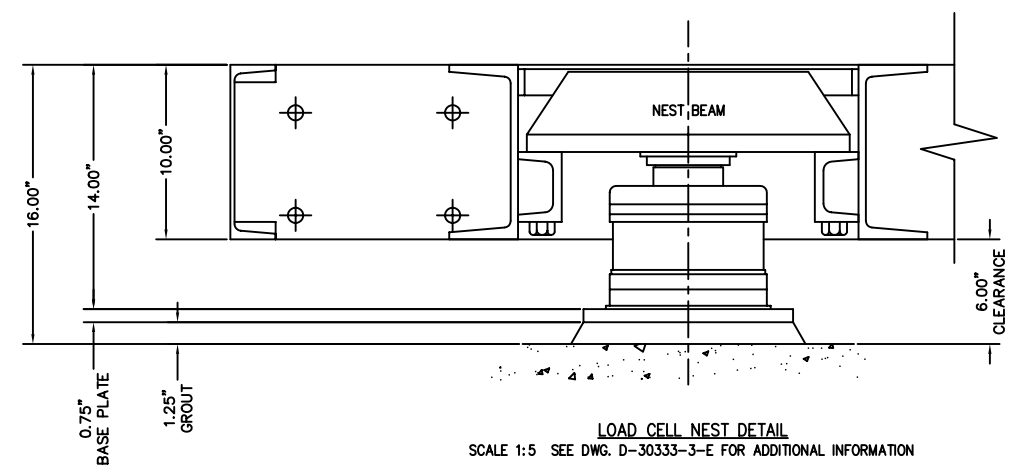


PRELIMINARY NOT FOR CONSTRUCTION



FOR COMMERCIAL SCALES CHECK WITH LOCAL WEIGHTS & MEASURES OFFICIALS BEFORE STARTING CONSTRUCTION. NATIONAL INSTITUTE OF STANDARDS & TECHNOLOGY (NIST) HANDBOOK 44 REQUIRES:
A STRAIGHT APPROACH OF AT LEAST ONE-HALF THE LENGTH OF THE PLATFORM. NOT LESS THAN 10 FEET OF APPROACH ADJACENT TO THE PLATFORM TO BE CONSTRUCTED OF CONCRETE OR SIMILAR DURABLE MATERIAL AND BE LEVEL AND IN THE SAME PLANE AS THE PLATFORM.

- NOTES:
- D-70917-B SLAB FOUNDATION
 - D-70922 FOOTER FOUNDATION
 - B-70592-1/13 SCALE PLATFORM ASSY. & INSTAL. INSTR.
 - D-30333-3-E NEST ASSEMBLY DETAIL
 - B-29932-C ANCHOR BOLT INSTALLATION
 - F987-D LOAD CELL INSTALLATION & ALIGNMENT
 - B-30740-5 HYDRAULIC JACK POSITIONS & SEQUENCES
 - B-33069-3-G TUBING DIAGRAM
 - B-30752-5 TARE PRESSURE & GAUGING REPORT
 - SERIES 9000 INSTRUCTION MANUAL
 - NTEP #89-014P
 - CLC = 58,000 LB
1. CONCRETE REQUIRED TO POUR PLATFORM IS 25 CUBIC YARDS (MINIMUM CONCRETE STRENGTH IS 5,000 PSI AT 28 DAYS.)



ALL SHARP CORNERS AND EDGES TO BE BROKEN				EMERY WINSLOW SCALE COMPANY	
UNLESS OTHERWISE SPECIFIED DIMENSIONS ARE IN INCHES				SEYMOUR, CT U.S.A. TERRE HAUTE, IN.	
C	REFERENCE DWG REV'S UPDATED	07/05	CEM	ASSEMBLY LAYOUT MODEL 95-10080 80' X 10' 10" CONCRETE DECK	
B	REFERENCE DWG REV'S UPDATED	08/04	CEM		
A	REFERENCE DWG REV'S UPDATED	10/02	CEM		
LTR	REVISION	DATE	BY		
THIS DRAWING IS THE PROPERTY OF EMERY WINSLOW SCALE COMPANY. SEYMOUR, CONNECTICUT. THE INFORMATION CONTAINED HEREIN IS CONFIDENTIAL AND IS NOT TO BE USED OR DISSEMINATED TO OTHERS WITHOUT THE EXPRESS WRITTEN CONSENT OF EMERY WINSLOW SCALE COMPANY.				DRAWN CES DATE 06/28/01 CHECKED DATE ACAD FILENAME: T01054 LAYERS USED: ALL	SCALE FIRST USED ON DRAWING NO. PLOT 1:30 NTS D-70916
				REV.	C

FULL SIZE PLOT D-24X36