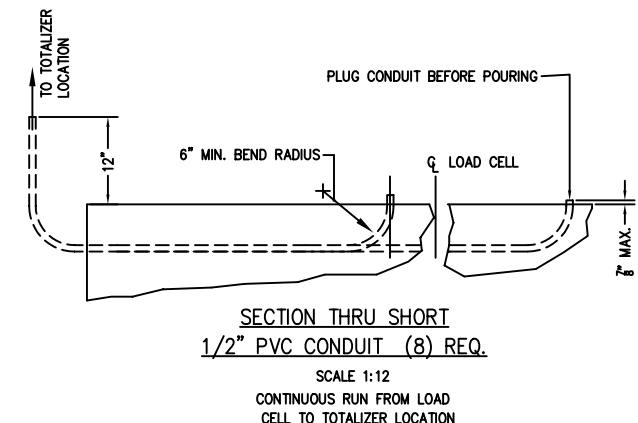
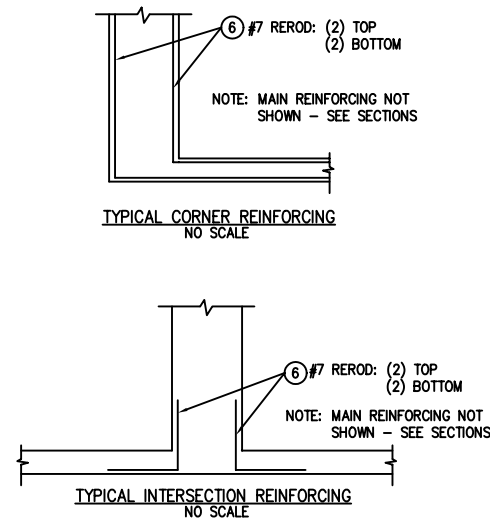
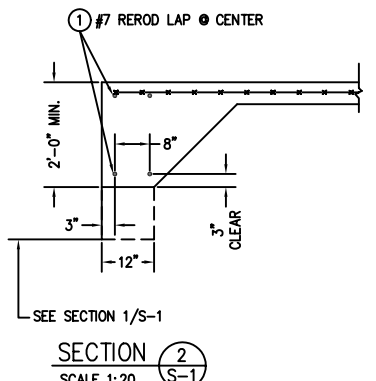
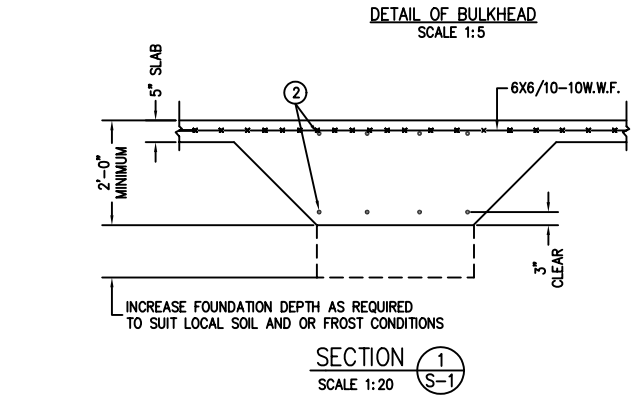
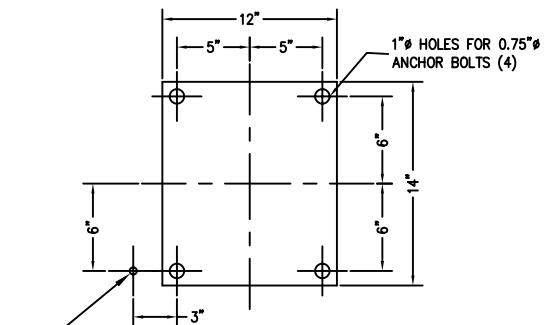
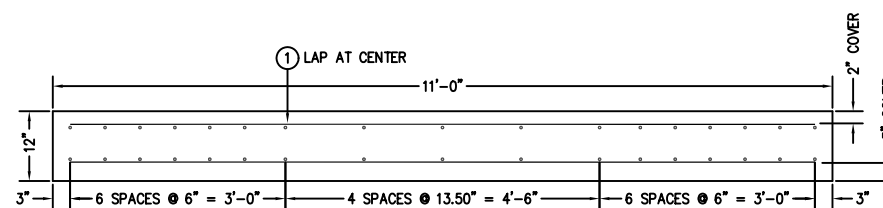
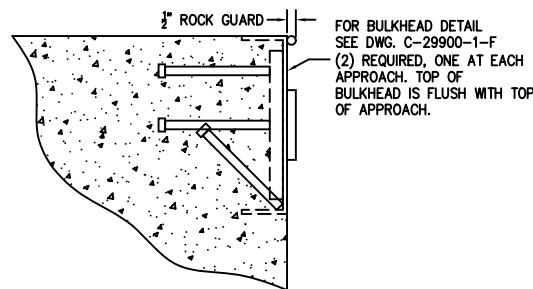
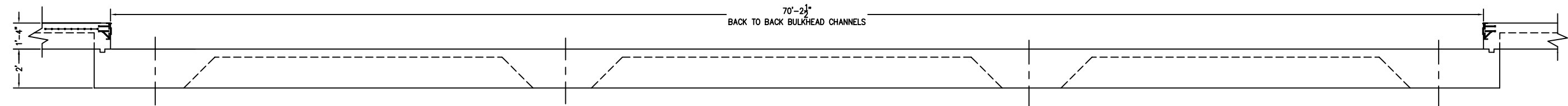
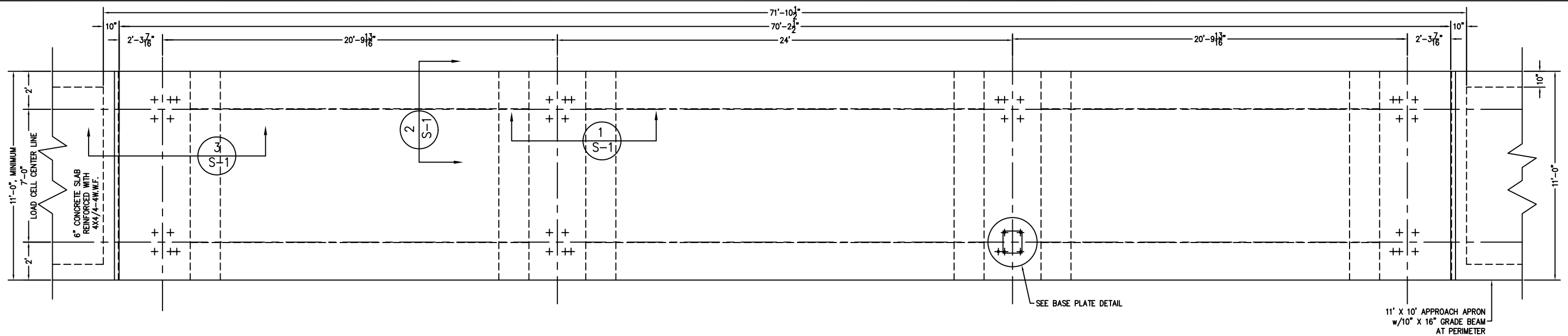


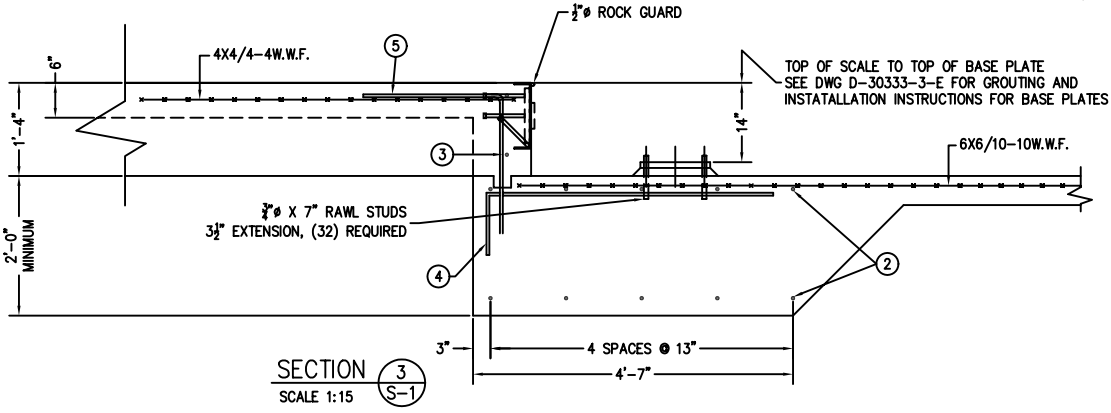
PRELIMINARY NOT FOR CONSTRUCTION



FOR NON COMMERCIAL SCALES PROVIDE AN APPROACH OF 2 FEET MINIMUM LENGTH WHICH IS LEVEL AND IN SAME PLANE AS THE PLATFORM.

FOR COMMERCIAL SCALES CHECK WITH LOCAL WEIGHTS AND MEASURES OFFICIALS BEFORE STARTING CONSTRUCTIONS. NATIONAL INSTITUTE OF STANDARDS AND TECHNOLOGY (NIST) HANDBOOK 44 REQUIRES:

- A STRAIGHT APPROACH OF AT LEAST ONE-HALF THE LENGTH OF THE PLATFORM.
- NOT LESS THAN 10 FEET OF APPROACH ADJACENT TO THE PLATFORM TO BE CONSTRUCTED OF CONCRETE OR SIMILAR DURABLE MATERIAL AND BE LEVEL AND IN THE SAME PLANE AS THE PLATFORM.



| MATERIAL REQUIREMENTS | | TOTAL WT. OF REBAR | | 2677 |
|-----------------------|------------|--------------------|------------------------------|------|
| CONCRETE: | | | | |
| APPROACHES | 6 CU. YDS | | | |
| FOUNDATION | 36 CU. YDS | | | |
| REINFORCING: | | | | |
| REBAR | 2677 LB | | | |
| 4X4/4-4WWF | 220 SQ FT | | | |
| 6X6/10-10WWF | 791 SQ FT | | | |
| PIECE NO. | QTY | BAR SIZE | LENGTH & DESCRIPTION | WT. |
| 6 | 32 | 7 | 6'-0" 3'-0" 3'-0" | 392 |
| 5 | 20 | 4 | 4'-0" 2'-0" | 53 |
| 4 | 20 | 4 | 5'-0" 1'-0" 4'-0" | 67 |
| 3 | 4 | 4 | 10'-6" | 28 |
| 2 | 36 | 7 | 10'-6" | 922 |
| 1 | 16 | 7 | 37'-2" (36" MINIMUM OVERLAP) | 1215 |

REF: OUTLINE ARRANGEMENT DWG. D-A3161 FULL SIZE PLOT D-24X36

| | | | | |
|-----|--|-------|-----|---|
| E | FRACTIONAL IN'S WERE DEC. NOTE 7 ADDED | 07/05 | CEM | ALL SHARP CORNERS AND EDGES TO BE BROKEN |
| D | CONDUIT & BASE PL. DETAILS TO SCALE | 02/02 | CES | UNLESS OTHERWISE SPECIFIED DIMENSIONS ARE IN INCHES |
| C | TITLE BL. SCALE & MAT'L REQ. BOX UPDATED | 12/01 | CES | MACHINING FABRICATION |
| B | DRAWING AND TEXT UPDATE | 06/00 | CES | ±.05 ±.13 |
| A | BULKHEAD UPDATED | 03/00 | CES | |
| LTR | REVISION | DATE | BY | |
| | | | | |

THIS DRAWING IS THE PROPERTY OF EMERY WINSLOW SCALE COMPANY SEYMOUR, CONNECTICUT. THE INFORMATION CONTAINED HEREIN IS CONFIDENTIAL AND IS NOT TO BE USED OR DISSEMINATED TO OTHERS WITHOUT THE EXPRESS WRITTEN CONSENT OF EMERY WINSLOW SCALE COMPANY.

EMERY WINSLOW SCALE COMPANY
SEYMOUR, CT U.S.A. TERRE HAUTE, IN.

FOUNDATION PLAN 70' X 10'
MODEL 94-10070
A.G. WITH FOOTINGS

SCALE: 1:30 FIRST USED ON: D- A3162 REV. E

- NOTES:
- CONCRETE STRENGTH: 4,000 PSI @ 28 DAYS
 - REINFORCING ROD: GRADE 60, 60,000 PSI, ASTM 615
 - SOIL BEARING IS ASSUMED TO BE 2,000 LBS/SQ FT. TO BE VERIFIED IN THE FIELD.
 - SLAB TO BE FLAT WITHIN 1/4" & LEVEL WITHIN 1/8" PER 10 FT.
 - APPROACH COPING (BULKHEAD) TO BE ON A COMMON PLANE WITHIN 1/4".
 - TOP OF REBAR MUST BE PLACED TO CLEAR THE ANCHOR BOLTS. ANCHOR BOLTS ARE TO BE INSTALLED AFTER FOUNDATION HAS CURED.
 - SEE SPEC. A499-364-1 FOR ON SITE SUBSURFACE CONDITIONS.
 - THE LENGTH FOR REBAR NO. 1 IS MINIMUM FOR 16 PIECES LAPPED. LONGER LAPS AND/OR PIECES MAY BE USED. MINIMUM LAP IS 36".