

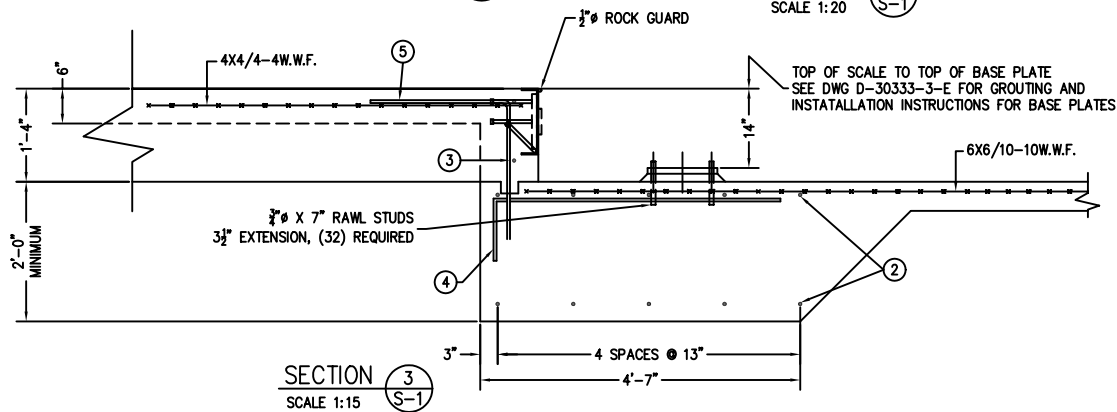
1/2" PVC CONDUIT FROM LOAD CELL LOCATION TO TOTALIZER LOCATION (8) PLACES ACCURATE LOCATION REQUIRED.

FOR NON COMMERCIAL SCALES PROVIDE AN APPROACH OF 2 FEET MINIMUM LENGTH WHICH IS LEVEL AND IN SAME PLANE AS THE PLATFORM.

FOR COMMERCIAL SCALES CHECK WITH LOCAL WEIGHTS AND MEASURES OFFICIALS BEFORE STARTING CONSTRUCTIONS. NATIONAL INSTITUTE OF STANDARDS AND TECHNOLOGY (NIST) HANDBOOK 44 REQUIRES:
 A.) A STRAIGHT APPROACH OF AT LEAST ONE-HALF THE LENGTH OF THE PLATFORM.
 B.) NOT LESS THAN 10 FEET OF APPROACH ADJACENT TO THE PLATFORM TO BE CONSTRUCTED OF CONCRETE OR SIMILAR DURABLE MATERIAL AND BE LEVEL AND IN THE SAME PLANE AS THE PLATFORM.

- NOTES:
1. CONCRETE STRENGTH: 4,000 PSI @ 28 DAYS REINFORCING ROD: GRADE 60, 60,000 PSI, ASTM 615
 2. SOIL BEARING IS ASSUMED TO BE 2,000 LBS/SQ FT. TO BE VERIFIED IN THE FIELD.
 3. SLAB TO BE FLAT WITHIN 1/4" & LEVEL WITHIN 1/8" PER 10 FT.
 4. APPROACH COPING(BULKHEAD) TO BE ON A COMMON PLANE WITHIN 1/4".
 5. TOP OF REBAR MUST BE PLACED TO CLEAR THE ANCHOR BOLTS. ANCHOR BOLTS ARE TO BE INSTALLED AFTER FOUNDATION HAS CURED.
 6. SEE SPEC. A499-364-1 FOR ON SITE SUBSURFACE CONDITIONS.
 7. THE LENGTH FOR REBAR NO. 1 IS MINIMUM FOR 16 PIECES LAPPED. LONGER LAPS AND/OR PIECES MAY BE USED. MINIMUM LAP IS 36".

FULL SIZE PLOT D-24X36



MATERIAL REQUIREMENTS		TOTAL WT. OF REBAR		2367
6	32	7	6'-0" 3'-0" 2'-0"	392
5	20	4	4'-0" 2'-0" 2'-0"	53
4	20	4	5'-0" 1'-0" 4'-0"	67
3	4	4	10'-6"	28
2	36	7	10'-6"	773
1	16	7	32'-3" (3' MINIMUM OVERLAP)	1054
PIECE NO.	QTY	BAR SIZE	LENGTH & DESCRIPTION	WT.

CONCRETE:
 APPROACHES 6 CU. YDS
 FOUNDATION 33 CU. YDS

REINFORCING:
 REBAR 2367 LB
 4X4/4-4W.W.F. 220 SQ FT
 6x6/10-10W.W.F. 660 SQ FT

D	FRACTIONAL IN'S WERE DEC., NOTE 7 ADDED	07/05	CEM	ALL SHARP CORNERS AND EDGES TO BE BROKEN
C	BULKHEAD DETAIL ADDED	03/02	CES	UNLESS OTHERWISE SPECIFIED DIMENSIONS ARE IN INCHES
B	FOOTING, OVERALL SCALE & REV. UPDATED	11/00	CES	MACHINING FABRICATION ± .015 ± .005 ± .13
A	BULKHEAD REVISED	04/00	CES	DATE 4/17/97
LTR	REVISION	DATE	BY	CHECKED DATE

THIS DRAWING IS THE PROPERTY OF EMERY WINSLOW SCALE COMPANY, SEYMOUR, CONNECTICUT. THE INFORMATION CONTAINED HEREIN IS CONFIDENTIAL AND IS NOT TO BE USED OR DISSEMINATED TO OTHERS WITHOUT THE EXPRESS WRITTEN CONSENT OF EMERY WINSLOW SCALE COMPANY.

EMERY WINSLOW SCALE COMPANY SEYMOUR, CT U.S.A. TERRE HAUTE, IN.	
FOUNDATION PLAN 60' X 10' MODEL 94-10060 A.G. WITH FOOTINGS	
SCALE FIRST USED ON 1:30	DRAWING NO. A3164-5
REV. D	