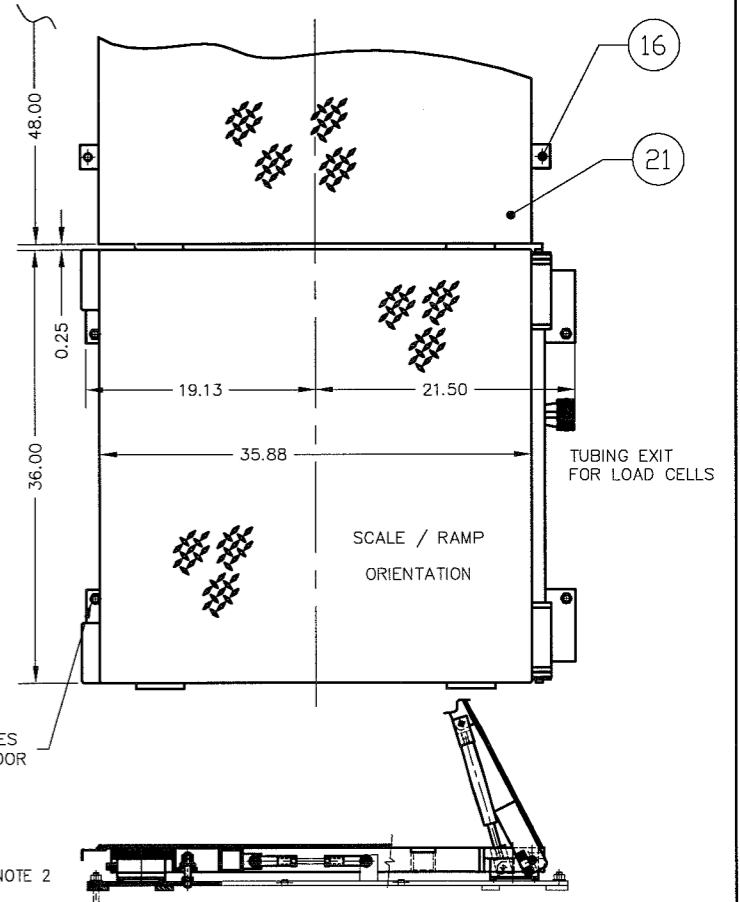
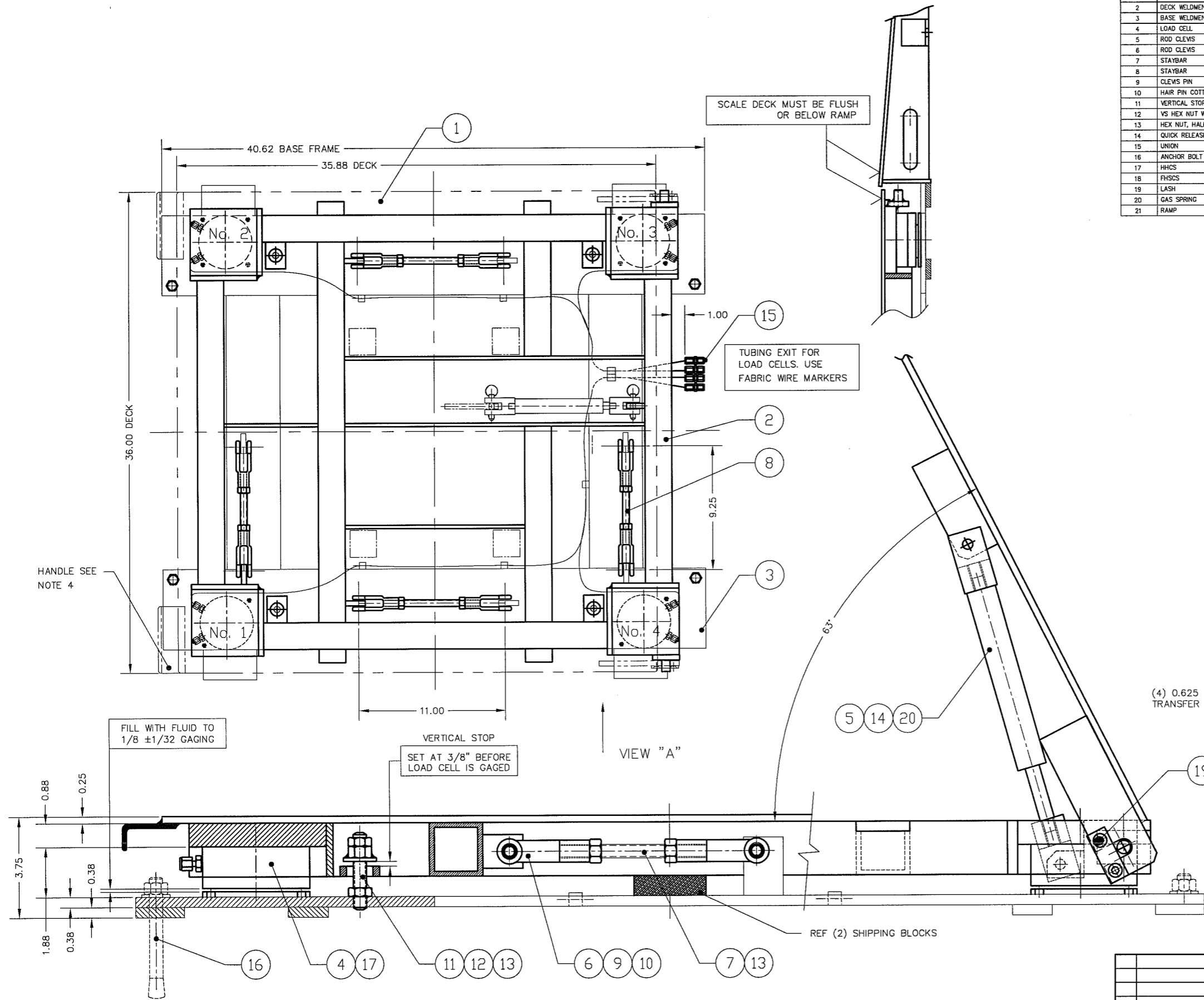


ITEM NO.	DESCRIPTION	QTY	MATERIAL	UNIT WT.	PART NO.	SIZE	WT.
1	LIFT DECK	1	SS 304		D-36364	(4 WAY SAFETY PLATE - OPTIONAL)	100
2	DECK WELDMENT	1	SS 304		D-36363		92
3	BASE WELDMENT	1	SS 304		D-36362		77
4	LOAD CELL	4	SS 304		B-34326-2	102S-03.5-M1	
5	ROD CLEVIS	2	SS 304		A-34541-3	M10 X 1.5	
6	ROD CLEVIS	8	SS 304		2806SS	0.500-20 UNF	MIDWEST CONTROL PRODUCTS CORP.
7	STAYBAR	4	SS 304		A-35900-1	0.500-20 UNF X 8.75	
8	STAYBAR	4	SS 304			0.500-20 UNF X 5.50	
9	CLEVIS PIN	8	SS 303		92390A382	0.50 DIA X 1.19 GRIP LENGTH	McMASTER CARR
10	HAIR PIN COTTER	8	SS 304		92391A130	0.25 - 0.38 SHAFT 1.18 OL	McMASTER CARR
11	VERTICAL STOP THRD ROD	4	SS 304		0.500-20 UNF X 2.75		
12	VS HEX NUT WELDMENT	4	SS 304		A-35703		
13	HEX NUT, HALF	16	SS 304		0.500-20 UNF		
14	QUICK RELEASE PIN	2	SS 304		9840A372	0.38 DIA X 1.2 GRIP LENGTH	McMASTER CARR
15	UNION	4	SS 316		SS-200-6		SWAGelok OR EQUAL
16	ANCHOR BOLT	0.50 X 4.50	4 + A/R	SS 304	KB11304SS12-412		HILTI OR EQUAL
17	HHCS	8	SS		0.250-20 UNC X 0.50		
18	FHCS	4	SS		0.250-20 UNC X 0.50		
19	LASH	2	SS 304		A-35557		
20	GAS SPRING	1	SS 316		1165-SSHD	2.5-360	(REF B-35517) AMERI TOOL
21	RAMP	A/R	SS 304		B-35735		



- NOTES:
- CAUTION: WHEN USING FORK LIFT TO MOVE SCALE ADD SHIPPING BLOCKS AS SHOWN.
  - SEE PRODUCTION CONTROL DRAWING D-35654.
  - AXLE LOAD 2000 lb
  - OPENING HAND FORCE 45 lb.
  - FINISH: WHITE SAND BLAST TO (125 MIC).

REV		DESCRIPTION	DATE	BY
THIS DRAWING IS THE PROPERTY OF EMERY WINSLOW SCALE COMPANY SEYMOUR, CONNECTICUT. THE INFORMATION CONTAINED HEREIN IS CONFIDENTIAL AND IS NOT TO BE USED OR DISSEMINATED TO OTHERS WITHOUT THE EXPRESS WRITTEN CONSENT OF EMERY WINSLOW SCALE COMPANY.				
ALL SHARP CORNERS AND EDGES TO BE BROKEN		DIMENSIONS ARE IN INCHES. TOLERANCES UNLESS SPECIFIED OTHERWISE:		
MACHINING		FABRICATION		
.XX = ± .01		± .13		
.XXX = ± .005				
DRAWN: CBM		DATE: 11/10/05		
CHECKED:		DATE:		
ACAD FILENAME: ACO1343		SCALE: 1:4		
LAYERS USED: LO - L6		FIRST USED ON: DRAWING NO. D-36361		
EMERY WINSLOW SCALE COMPANY		REVISION		
SEYMOUR, CT U.S.A. TERRE HAUTE, IN.				
SCALE ASSEMBLY				
708-33-5				
WITH GAS SPRING				